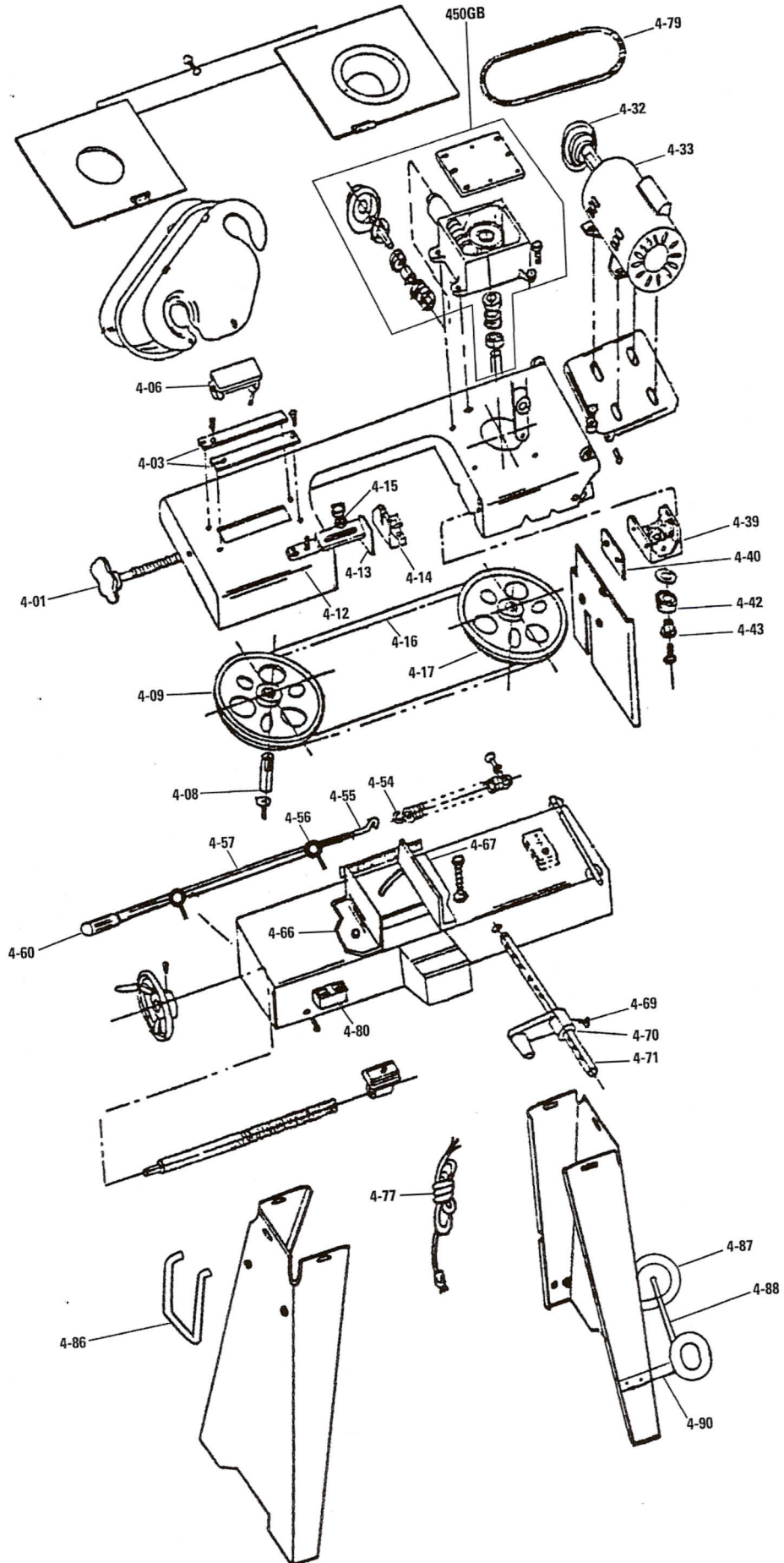


MODEL # 5006
4-1/2" Metal Cutting
Band Saw



Item No.	Part No.	Description	Qty.	Item No.	Part No.	Description	Qty.
4-01	45001	Blade Tension Adjustable Knob	1	4-49		Plumb Screw	1
4-02		Body Frame	1	4-50		Pivoting Rod	1
4-03	45003	Blade Tension Sliding Guides	2	4-51		Hexagon Head Screw, 5/16"x1/2"	1
4-04		Bolt Counter Sunk, 5/16"	2	4-52		Bed	1
4-05		Hexagon Head Screw, 5/16"	4	4-53		Hexagon Head Screw, 5/16"x1-1/8"	1
4-06	45006	Blade Tension Sliding Plate	1	4-54	45054	Spring	1
4-07		Spring Pin	1	4-55	45055	Spring Adjusting Screw	1
4-08	45008	Blade Wheel Shaft	1	4-56	45056	Nut Plate	1
4-09	45009	Blade Wheel (Rear)	1	4-57	45057	Adjusting Rod	1
4-10		Washer, Flat, 1/4"	1	4-58		Hexagon Head Screw	2
4-11		Hexagon Head Screw, 1/4" x 1/2"	1	4-59		Nut Plate, 5/16"x1/2'	1
4-12	45012	Seat of Slider Plate	1	4-60	45060	Adjuster Handle	1
4-13	45013	Adjustable Bracket	1	4-61		Handle Wheel	1
4-14	45014	Blade Adjustable Seat (Left)	1	4-62		Hexagon Socket Headless Screw	1
4-15	45015	Blade Roller Bearing Guide Adj. Lock	1	4-63		Lead Screw	1
4-16	45016	Blade - 14 Teeth per Inch (Opt.)		4-64		Vise Nut	1
	45016A	Blade - 24 Teeth per Inch	1	4-65		Hexagon Head Screw, 5/16"x3/4"	3
4-17	45017	Blade Wheel (Front)	1	4-66	45066	Movable Vise Plate	1
4-18*		Transmission Wheel Shaft	1	4-67	45067	Mitering Vise Plate	1
4-19*		Bearing, #6202z	2	4-68		Hexagon Head Screw, 5/16"x3"	1
4-20*		Oil Seal, TO15mmx35mmx8mm	1	4-69	45069	Hexagon Socket Headless Screw, 5/16"x1/2"	1
4-21*		Bearing, #6202z	2				
4-22*		Gear Box	1	4-70	45070	Stock Stop	1
4-23*		Transmission Gear, 12D.P. 20t	1	4-71	45071	Stock Stop Rod	1
4-24*		Worm Gear	1	4-72		Plate, Cop	1
4-25*		Gear Box Cover	1	4-73		Hexagon Head Screw, 1/4"x1/2"	6
4-26*		Bearing, #6202zz	2	4-74		Floor Stand	2
4-27*		Bearing Bushing	1	4-75		Hexagon Head Screw, 1/4"x3/4"	1
4-28*		Bearing, 36202zz	2	4-76		Bearing Bushing	1
4-29*		Worm Gear Shaft	1	4-77	45077	Electric Cord	1
4-30*		Blade Wheel Bearing Cover	2	4-78		Electric Circuit Plate	1
4-31*		Worm Gear Pulley	4	4-79	45079	Triangle Belt, A-22	1
4-32	45032	Motor Pulley	1	4-80	45080	Switch, Button	1
4-33	45033	Motor	1	4-81		Gear Box, Gasket	1
4-34		Motor Mount Plate	1	4-82		Scale	1
4-35		Hexagon Head Screw, 3/4"x1"	2	4-83		Hexagon Head Screw, 5/16"x3"	1
4-36		Locating Rod Shaft Seat	1	4-84		Washer, Flat ø5/16"xø1-1/4"x1/4"	1
4-37		Hexagon Head Screw, 5/16"x3/4"	2	4-85		Hexagon Head Screw 5/16"x1-1/2"	1
4-38		Support Plate Cover Seat	1				
4-39	45039	Blade Adjustable Seat (Right)	1	4-86	45086	Floor Stand Handle	1
4-40	45040	Blade Guard, ø 1/4"	1	4-87	45087	Wheel	2
4-41		Washer, Flat, #6200	1	4-88	45088	Wheel Shaft	1
4-42	29120	Bearing	6	4-90	45090	Wheel Bracket	2
4-43	45043	Guide Pivot	8		450WK	Hardware Kit For Wheels & Handle (not shown)	
4-44		Hexagon Head Screw, 1/4"x3/4"	8				
4-45		Vertical Cutting Plate	1				
4-46		Motor Pulley Cover	1				
4-47		Pulley Cover	1				
4-48		Blade Back Safety Cover 1/4"x1/2"	1				

*Available only in Gear Box Assembly. Part #450GB

Only items listed with part numbers are available individually.