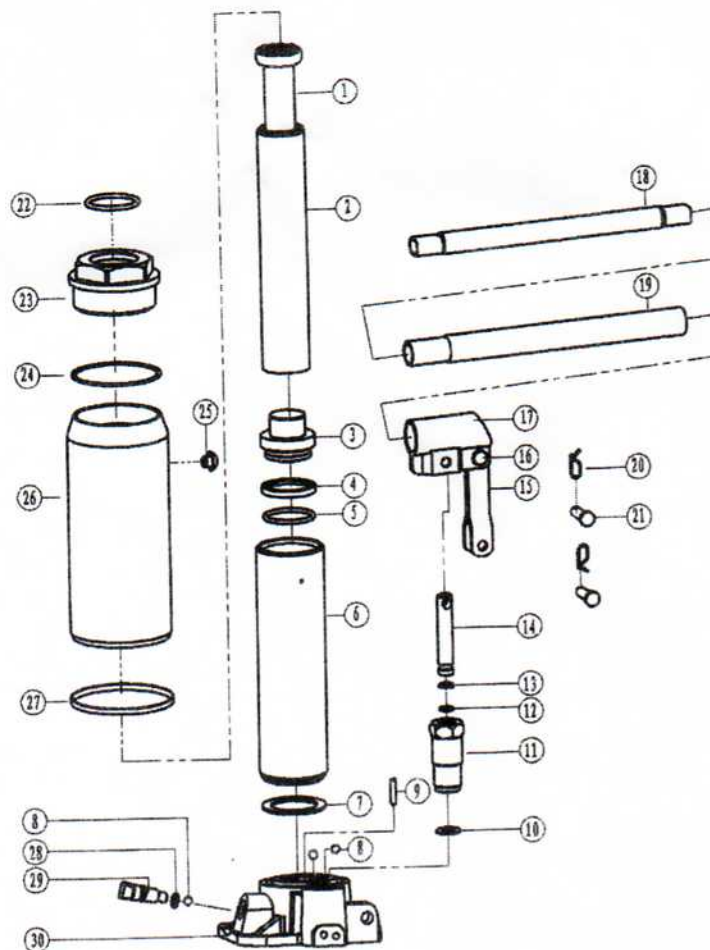


# PARTS BREAKDOWN —

- MODEL 520-1037** 2 Ton
- MODEL 520-1038** 4 Ton
- MODEL 520-1039** 6 Ton
- MODEL 520-1040** 8 Ton
- MODEL 520-1021** Short 12 Ton
- MODEL 520-1041** 12 Ton
- MODEL 520-1022** Short 20 Ton
- MODEL 520-1042** 20 Ton



REF. NO.	PART NO.	DESCRIPTION	QTY.	REF. NO.	PART NO.	DESCRIPTION	QTY.
1		Extension Screw	1	17		Handle Sleeve	1
2		Ram	1	18		Handle	1
3		Ram Piston	1	19		Handle	1
4	*	Back Up Ring	1	20		Cotter Pin	2
5	*	O Ring	1	21		Pin	2
6		Cylinder	1	22	*	O Ring	1
7	*	Oil Seal Of Cylinder	1	23		Top Nut	1
8	*	Steel Ball	3	24	*	Seal	1
9	*	Filter	1	25	*	Filler Plug	1
10		Washer	1	26		Reservoir	1
11		Oil Fill Screw	1	27	*	Seal	1
12	*	Filler Screw Packing	1	28	*	Seal	1
13	*	Back Up Ring	1	29		Release Valve	1
14		Pump Plunger	1	30		Base	1
15		Connecting Rod	2				
16		Short Pin	1				

When ordering seal kits, please specify as follows:

- RS4906ASK - 6 Ton Repair Kit
- RS4908ASK - 8 Ton Repair Kit
- RS4912ASK - 12 Ton Repair Kit
- RS4920ASK - 20 Ton Repair Kit

Also available:

- RS49FP Oil Fill Plug (fits all bottle jacks)
- RS49HDL6 Handle for 6 ton and 8 ton Bottle Jacks
- RS49HDL12 Handle for 12 ton and 20 ton Bottle Jacks

\*These items are only available in a seal kit.  
No seal kits available for 2 and 4 Ton Jacks.  
Only items identified by part number or in seal kits are available for purchase.