



PROFESSIONAL AIR TOOLS

! WARNING

Some dust created by power sanding, sawing, grinding, drilling, and other construction activities contains chemicals known to cause cancer, birth defects or other reproductive harm. Some examples of these chemicals are:

- lead from lead-based paints,
- crystalline silica from bricks and cement and other masonry products, and
- arsenic and chromium from chemically-treated lumber.

Your risk from these exposures varies, depending on how often you do this type of work. To reduce your exposure to these chemicals: work in a well ventilated area, and work with approved safety equipment, such as those dust masks that are specially designed to filter out microscopic particles.

! ADVERTENCIA

Se sabe que el polvo generado por el lijado, la aserradura, el esmerilado, la perforación mecánica y por otras actividades de construcción contiene químicos que producen cáncer, malformaciones congénitas u otros daños relacionados con la reproducción. Algunos ejemplos de estos químicos son:

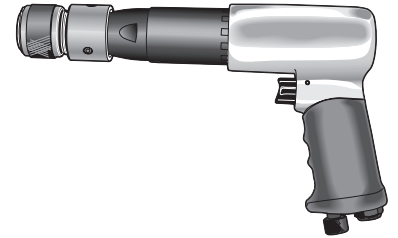
- Plomo de pintura a base de plomo,
- Sílice cristalina de ladrillos y cementos y otros productos de mampostería, y
- Arsénico y cromo de maderas tratadas químicamente.

El riesgo ante estas exposiciones varía, dependiendo de cuan frecuente usted haga este tipo de trabajo. Para reducir la exposición a estos químicos: trabaje en espacios bien ventilados, y trabaje con equipos de seguridad aprobados, tales como las mascarillas contra el polvo diseñadas específicamente para detener partículas microscópicas.

HEAVY DUTY LONG BARREL

AIR HAMMER

Martillo con aire con cañón largo para uso pesado



*THIS INSTRUCTION MANUAL
CONTAINS IMPORTANT
SAFETY INFORMATION*

*READ CAREFULLY AND
UNDERSTAND ALL
INFORMATION BEFORE
OPERATING THIS TOOL!*

*SAVE THIS MANUAL
FOR FUTURE REFERENCE.*

*LAS INSTRUCCIONES EN
ESPAÑOL COMIENZAN
EN LA PÁGINA # 7.*

*ESTE MANUAL DE
INSTRUCCIONES
CONTIENE IMPORTANTES
INFORMACIONES
DE SEGURIDAD*

*¡LEA CUIDADOSAMENTE
Y ASEGÚRESE DE
COMPRENDER TODAS ESTAS
INFORMACIONES, ANTES
DE PROCEDER
CON EL FUNCIONAMIENTO DE
ESTA HERRAMIENTA!*

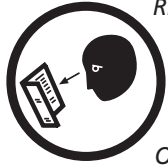
*CONSERVE ESTE MANUAL
PARA TENER UNA
REFERENCIA EVENTUAL.*

6-1012

!WARNING!

FAILURE TO OBSERVE THESE WARNINGS COULD RESULT IN INJURY.

THIS INSTRUCTION MANUAL CONTAINS IMPORTANT SAFETY INFORMATION.



READ THIS INSTRUCTION MANUAL CAREFULLY AND UNDERSTAND ALL INFORMATION BEFORE OPERATING THIS TOOL.

- Always operate, inspect and maintain this tool in accordance with American National Standards Institute Safety Code of Portable Air Tools (ANSI B186.1) and any other applicable safety codes and regulations.



For safety, top performance and maximum durability of parts, operate this tool at 90 psig 6.2 bar max air pressure with 3/8" diameter air supply hose.

- Always wear impact-resistant eye and face protection when operating or performing maintenance on this tool. Always wear hearing protection when using this tool.



- High sound levels can cause permanent hearing loss. Use hearing protection as recommended by your employer or OSHA regulation.

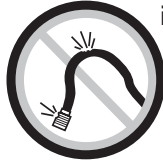


- Keep the tool in efficient operating condition.
- Operators and maintenance personnel must be physically able to handle the bulk, weight and power of this tool.

- Air under pressure can cause severe injury. Never direct air at yourself or others. Always turn off the air supply, drain hose of air pressure and detach tool from air supply before installing, removing or adjusting any accessory on this tool, or before performing any maintenance on this tool. Failure to do so could result in injury.



- Whip hoses can cause serious injury. Always check for damaged, frayed or loose hoses and fittings, and replace immediately. Do not use quick detach couplings at tool. See instructions for correct set-up.



- Air powered tools can vibrate in use. Vibration, repetitive motions or uncomfortable positions over extended periods of time may be harmful to your hands and arms. Discontinue use of tool if discomfort, tingling feeling or pain occurs. Seek medical advice before resuming use.



- Place the tool on the work before starting the tool. Do not point or indulge in any horseplay with this tool.

- Slipping, tripping and/or falling while operating air tools can be a major cause of serious injury or death. Be aware of excess hose left on the walking or work surface.



- Keep body working stance balanced and firm. Do not overreach when operating the tool.
- Anticipate and be alert for sudden changes in motion during start up and operation of any power tool.



- Do not carry tool by the hose. Protect the hose from sharp objects and heat.

- Tool shaft may continue to rotate briefly after throttle is released. Avoid direct contact with accessories during and after use. Gloves will reduce the risk of cuts or burns.

- Keep away from rotating end of tool. Do not wear jewelry or



- loose clothing. Secure long hair. Scalping can occur if hair is not kept away from tool and accessories. Choking can occur if neckwear is not kept away from tool and accessories.

- Never use a chisel as a handstruck tool. They are designed and heat treated to be used only in air hammers. Select the correct shank and retainer for the tool.
- Never use dull accessories. Never cool a hot accessory in water as brittleness and early failure can result. Accessory breakage or tool damage may result from prying. Take smaller bites to avoid getting stuck.

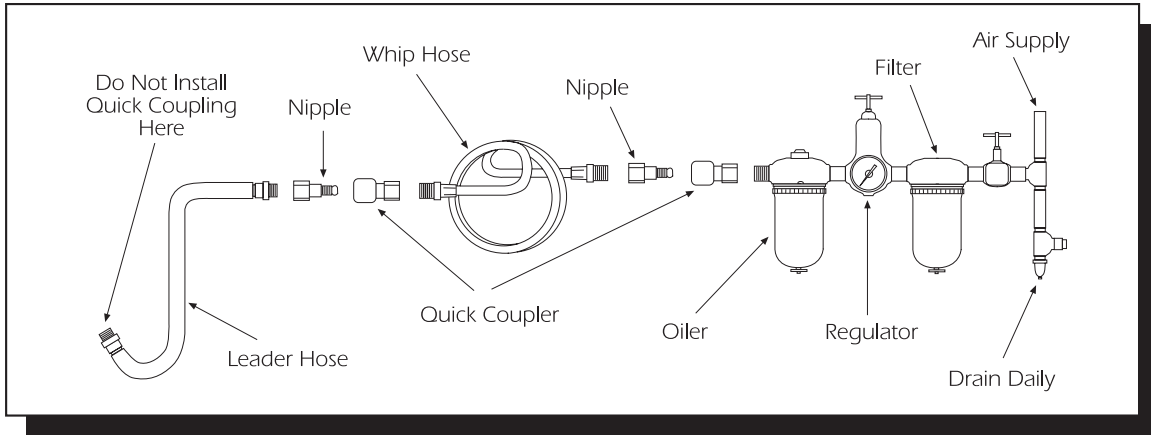
- Do not lubricate tools with flammable or volatile liquids such as kerosene, diesel or jet fuel.

- Don't force tool beyond its rated capacity.

- Do not remove any labels. Replace any damaged labels.

- Use accessories recommended by NAPA Professional Air Tools.

AIR SUPPLY



Tools of this class operate on a wide range of air pressures. It is recommended that air pressure of these tools measures 90 PSI at the tool while running free. Higher pressure (over 90 psig; 6.2 bar) raises performance beyond the rated capacity of the tool which will shorten the tool's life because of faster wear and could cause injury.

Always use clean, dry air. Dust, corrosive fumes and/or water in the air line will cause damage to the tool. Drain the air tank daily. Clean the air inlet filter screen on at least a weekly schedule. The recommended hookup procedure can be viewed in the above figure.

The air inlet used for connecting air supply has standard 1/4" NPT.

Line pressure should be increased to compensate for unusually long air hoses (over 25 feet). Minimum hose diameter should be 3/8" I.D. and fittings should have the same inside dimensions and be tightly secured.

LUBRICATION

Lubricate the air tool daily with quality air tool oil. If no air line oiler is used, run a teaspoon of oil

through the tool. The oil can be squirted into the tool air inlet or into the hose at the nearest

connection to the air supply, then run the tool.

WARRANTY POLICY: NAPA PROFESSIONAL AIR TOOLS are warranted against defects in material and workmanship for a period of one (1) year from the date of the original purchase. We will repair or replace at our option any defective part or unit which proves to be defective in material or workmanship during this one year period. ALL NAPA PROFESSIONAL AIR TOOLS must be repaired only by authorized NAPA PROFESSIONAL AIR TOOL Service Centers. This warranty does not cover damage to tools rising from alteration, abuse, misuse and does not cover any repairs made by anyone other than an authorized NAPA PROFESSIONAL AIR TOOL Warranty Center. Tools sent to a Warranty Center in a disassembled condition will not be covered as a warranty repair.

Return tools to Service Centers transportation prepaid. Be certain to include your name, address and phone number along with proof of purchase information, with each tool.

OPERATION

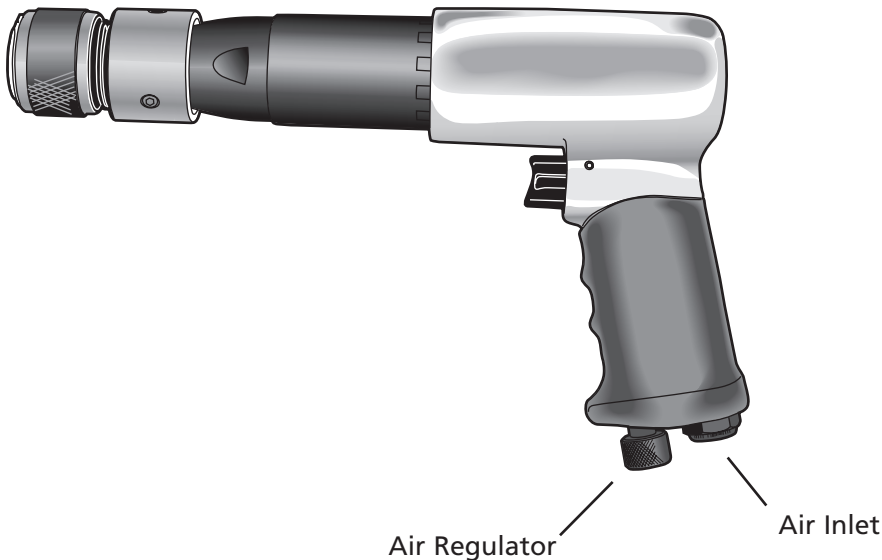
Always place a chisel in the hammer and hold the tool down to the work before operating. Damage to the tool or the retainer may result if this precaution is not followed.

The chisel retainers are not designed for complete safety against accidental release of cutters or hammers. To avoid injury, the throttle must never be depressed unless the chisel is held firmly

against the work place. When tool is not in actual use, the chisel must be removed. During operation, safety goggles should always be used to guard against flying rust and chips. When using tool, regulate the speed so that the chisel is not being driven out of the cylinder. If piston is allowed to strike the cylinder wall, internal damage will result.

To change chisel, pull back on the retainer and insert chisel. Release retainer.

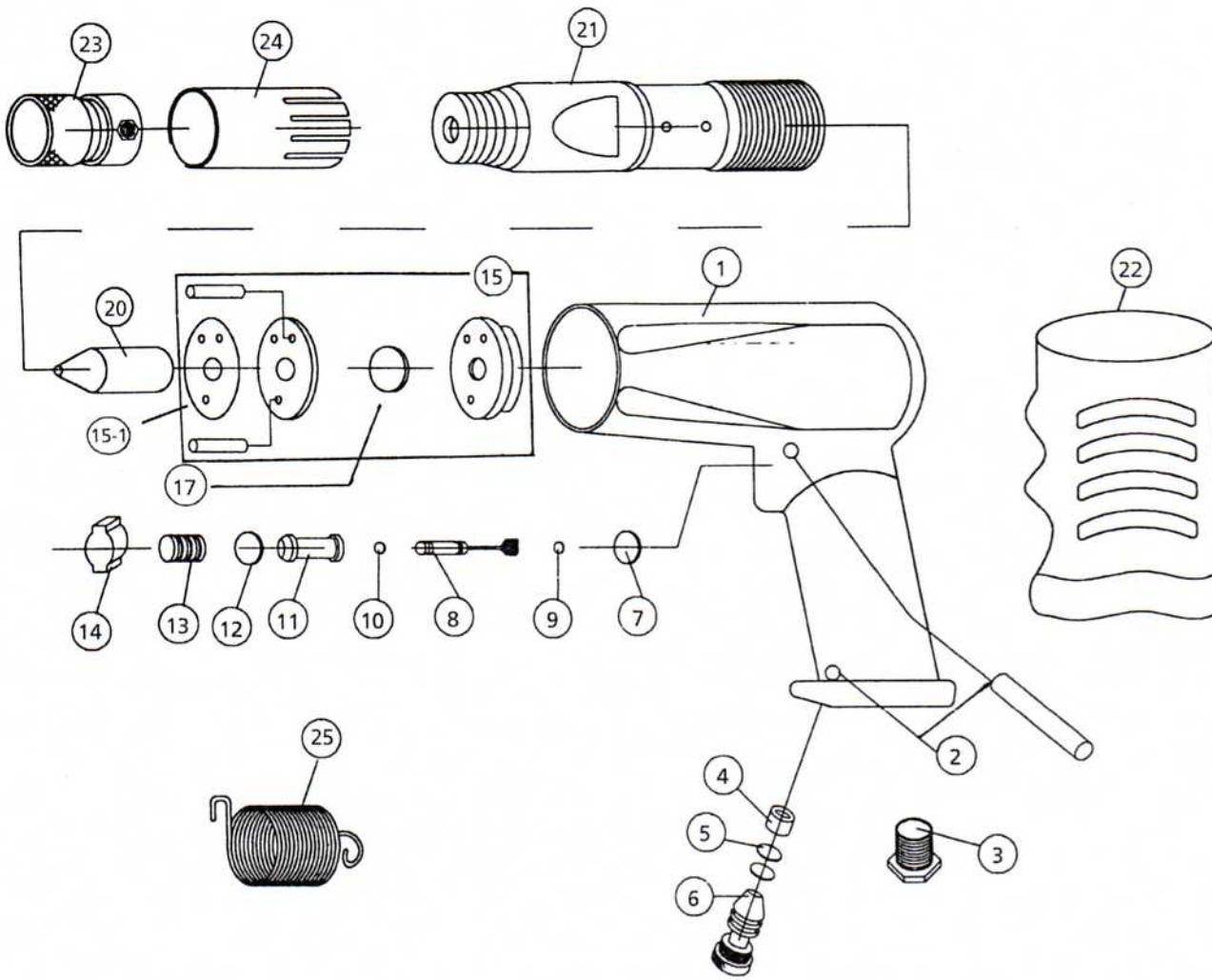
To regulate air, turn air regulator knob out for maximum air pressure and in for minimum.



SPECIFICATIONS

Blows Per Minute	2,200 BPM min.
Bore Diameter	3/4"
Piston Stroke.....	3-3/4"
Air Inlet Thread	1/4" NPT
Hose Size	3/8" I.D.
Avg. Air Consumption.....	4 cfm
Rec. Air Pressure	90 psig (6.2bar)
Sound Level.....	110 dBA
Length	10.63"
Shipping Weight	5.66 Lbs.

PARTS BREAKDOWN



PARTS LIST

Index #	Part #	Description	Qty.	Index #	Part #	Description	Qty.
1	248001NAPA	Housing	1	12	848012	O-Ring (12 x 2mm)	1
2	848002	Roll Pin (3 x 18mm)	2	13	848013	Spring	1
3	848003	Inlet Bushing	1	14	848014	Trigger Button	1
4	848004	Cap	1	15-1	8480155-1	Metal Disk Plate	1
5	848005	O-Ring (4.9 x 2.2mm)	2	15	8480155	Valve Block Assembly	1
6	848006	Regulator	1	17	848017	Valve Disk	1
7	848007	O-Ring (11 x 2.4mm)	1	20	848019	Piston	1
8	848008V	Valve Stem	1	21	848320	Cylinder	1
9	848009	O-Ring (3.8 x 1.9mm)	1	22	248022B	Comfort Grip	1
10	848010	O-Ring (3.5 x 1.5mm)	1	23	6-5124	Quick Change Chuck	1
11	848011	Valve Bushing	1	24	848023	Exhaust Deflector	1
				25	6-5120	Retainer Spring (Optional)	

RS171815
RS171816

TROUBLESHOOTING

IMPACT WRENCHES

TOOL RUNS SLOWLY OR NOT AT ALL AND/OR AIR FLOWS ONLY SLIGHTLY FROM EXHAUST — This is probably caused by: air flow blocked by dirt build-up; motor parts jammed with dirt; power regulator has vibrated to closed position.

YOU SHOULD: Check air inlet strainer for blockage. Pour a generous amount of air tool oil into air inlet. Operate tool in short bursts, in both forward and reverse motion. Repeat if necessary. If tool performance is not improved, it should be serviced at an authorized service center.

TOOL WILL NOT RUN, EXHAUST AIR FLOWS FREELY. This is probably caused by one or more motor vanes stuck due to accumulation of sludge or varnish; motor rusted.

YOU SHOULD: Pour a generous amount of air tool oil into air inlet. Operate tool in short bursts, in both forward and reverse motion. Lightly tap motor housing with plastic mallet. Detach air supply. Try to free motor by turning drive shank manually, if possible. If tool remains jammed, it should be serviced at authorized service center.

SOCKETS WILL NOT STAY ON. This is probably caused by: worn socket retainer ring or soft back-up ring.

YOU SHOULD: Wear safety goggles. Detach air supply. Using external retaining ring pliers, remove old retaining ring. Holding square drive with appropriate open-end wrench, use small screwdriver to pry old retainer ring out of groove. Always pry off ring away from your body - it can be propelled outward at high velocity. Replace back-up O-ring and retainer ring with correct new parts. (See breakdown). Place retaining ring on table, press tool anvil into ring in a rocking motion. Snap into groove by hand.

PREMATURE ANVIL WEAR. This is probably caused by: use of chrome sockets or worn sockets.

YOU SHOULD: Stop using chrome sockets. Chrome sockets have a hard surface and a soft core. Drive hole becomes rounded - but will still be very hard. Besides the danger of splitting, wrench anvils will wear out prematurely when used with chrome sockets.

TOOL SLOWLY LOSES POWER BUT STILL RUNS AT FULL FREE SPEED. This is probably caused by: worn clutch parts, due to inadequate lubrication; engaging cam of clutch worn or sticking due to inadequate lubrication.

YOU SHOULD: FOR OIL LUBED WRENCHES - check for presence of clutch oil (where oil is specified for clutch) and remove oil fill plug; tilt to drain all oil from clutch case; refill with 30 weight SAE oil or that recommended by manufacturer, in the specified amount. Also check for excess clutch oil. Clutch cases need only be filled 50%. Overfilling can cause drag on high speed clutch parts. A typical 1/2" oil-lubed wrench only requires 1/2 ounce of clutch oil. FOR GREASE LUBED WRENCHES - Check for excess grease by rotating drive shank by hand. It should turn freely. Excess is usually expelled automatically.

TOOL WILL NOT SHUT OFF. This is probably caused by: throttle valve O-ring broken or out of position or throttle valve stem bent or jammed with dirt particles.

YOU SHOULD: Remove assembly and install new O-ring. Lubricate with air tool oil and operate trigger briskly. If operation cannot be restored, tool should be serviced at authorized service center.

AIR RATCHETS

MOTOR RUNS. SPINDLE DOESN'T TURN, OR TURNS ERRATICALLY — This is probably caused by: worn teeth on ratchet or pawl; weak or broken pawl pressure spring; weak drag springs fail to hold spindle while pawl advance for another bite.

YOU SHOULD: have replacement parts installed by authorized service center.

TOOL DOESN'T RUN, RATCHET HEAD INDEXES CRISPLY BY HAND— This is probably caused by: dirt or sludge build-up in motor parts.

YOU SHOULD: Pour a generous amount of air tool oil into air inlet. Operate throttle in short bursts. With socket engaged on bolt, alternately tighten and loosen bolt by hand. If tool remains jammed, it should be serviced at authorized service center.

AIR DRILLS

TOOL WILL NOT RUN, RUNS SLOWLY, AIR FLOWS SLIGHTLY FROM EXHAUST, SPINDLE TURNS FREELY — This is probably caused by: air flow blocked by dirt build-up; motor parts jammed with dirt.

YOU SHOULD: Check air inlet for blockage. Pour a generous amount of air tool oil into air inlet. Operate trigger in short bursts. Detach air supply; turn empty and closed drill chuck by hand. Reconnect air supply. If tool performance is not improved, it should be serviced at an authorized service center.

TOOL WILL NOT RUN, AIR FLOWS FREELY FROM EXHAUST, SPINDLE TURNS FREELY — This is probably caused by: Build up of dirt or varnish on rotor vanes.

YOU SHOULD: Pour a generous amount of air tool oil into air inlet. Operate trigger in short bursts. Detach air supply; turn empty and closed drill chuck by hand. Reconnect air supply. If tool performance is not improved, it should be serviced at an authorized service center.

TOOL LOCKED UP, SPINDLE WILL NOT TURN — This is probably caused by: a broken rotor vane; gears broken or jammed by foreign object.

YOU SHOULD: Send the tool to an authorized service center.

TOOL WILL NOT SHUT OFF — This is probably caused by: throttle valve O-ring blown off seat.

YOU SHOULD: See breakdown for part number and replace O-ring or send the tool to an authorized service center.

AIR HAMMERS

TOOL WILL NOT RUN — This is probably caused by: cycling valve or throttle valve clogged with dirt or sludge.

YOU SHOULD: Pour a generous amount of air tool oil into air inlet; check for dirt. Operate trigger in short burst (chisel in place and against solid surface). If not free, detach air supply. Tap nose or barrel lightly with plastic mallet, reconnect air supply, and repeat above steps. If still not free, detach air supply, insert a 6" piece of 1/8" diameter rod in nozzle and lightly tap to loosen piston in rear direction. Reconnect air supply and repeat above steps.

CHISEL STUCK IN NOZZLE— This is probably caused by: the end of the shank being disformed.

YOU SHOULD: Send the tool to an authorized service center.

NOTE

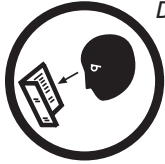
Disassembly of this tool by other than an authorized service center will void the warranty on this tool.

¡ADVERTENCIA!

AL NO SEGUIR TODAS INSTRUCCIONES DE LA LISTA ABAJO PUEDE PROVOCAR LESIONES GRAVES

ESTE MANUAL DE INSTRUCCIONES CONTIENE IMPORTANTES INFORMACIONES DE SEGURIDAD.

LEA CUIDADOSAMENTE Y ASEGÚRESE DE COMPRENDER TODAS ESTAS INFORMACIONES, ANTES DE PROCEDER CON EL FUNCIONAMIENTO DE ESTA HERRAMIENTA.



- Haga funcionar, verifique y mantenga esta herramienta de acuerdo con el código ANSI (Organización nacional americana de normalización) para herramientas portátiles con aire (ANSI B186.1) y cualesquiera otros códigos de seguridad y regulaciones aplicables.

- Para obtener la seguridad, resultados y durabilidad óptimos de las partes, haga funcionar esta herramienta con una presión máxima de 90 psig (6.2 bar), utilizando una manguera de aire con un diámetro de 9.5 mm.



- Lleve siempre protección de impacto alto para los ojos y la cara, al funcionar o dar mantenimiento a esta herramienta. Lleve siempre protección para las orejas al utilizar esta herramienta.



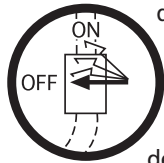
- Niveles de sonidos altos pueden provocar una pérdida permanente del oído. Utilice una protección para las orejas según las recomendaciones de su patrón las regulaciones OSHA.



- Mantenga esta herramienta en condición eficaz de funcionamiento.

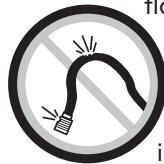
- Los operadores y el personal de mantenimiento deben físicamente poder manejar el volumen, el peso y la potencia de esta herramienta.

- El aire bajo presión puede provocar lesiones graves. Nunca la dirija hacia Ud. o hacia otras personas. Cierre siempre el abastecimiento del aire, drene la manguera de la presión del aire y



desconecte la herramienta del abastecimiento del aire antes de instalar, quitar o ajustar cualquier accesorio a la herramienta, o antes de dar mantenimiento a

la herramienta. Al no seguir estas instrucciones se puede provocar lesiones graves. Las mangueras que azotan pueden causar lesiones graves. Verifique siempre para detectar mangueras gastadas, usadas o flojas y reemplacel



as inmediatamente. No utilice los acoplamientos de conexión rápida con esta herramienta. Vea las instrucciones para conocer el modo de instalación adecuado.

- Las herramientas que funcionan con aire pueden vibrar durante el uso. La vibración, los movimientos repetitivos o las posiciones incómodas durante periodos prolongados pueden



ser dañinos a sus manos y brazos. Interrumpa el uso de la herramienta si sobreviene una incomodidad, una sensación de cosquilleo o un dolor. Solicite una opinión médica antes de volver a proceder con el uso.

- Coloque la herramienta sobre el lugar de trabajo antes de hacer funcionar la herramienta. No la apunte en dirección de una persona y no juegue con esta herramienta.

- Un deslizamiento, una zancadilla y/o una caída durante el funcionamiento de las herramientas con aire pueden ser causas importantes de lesiones graves



o de la muerte. Asegúrese que no haya un excedente de manguera sobre la superficie donde esté caminando o trabajando.

- Mantenga una postura equilibrada y estable durante el trabajo. No vaya demasiado lejos durante el funcionamiento de la herramienta.

- Preve a y esté atento a los cambios súbitos de movimientos durante el arranque y el funcionamiento de cualquier herramienta.



- No transporte la herramienta por la manguera. Proteja la manguera contra los objetos afilados y el calor.

- El eje de la herramienta puede continuar brevemente su rotación después del aflojamiento del gatillo. Evite el contacto directo con los accesorios durante y después del uso. El uso de guantes reducirá el riesgo de cortes y quemaduras.

- Mantengase alejado de la extremidad giratoria de la herramienta. No lleve joyas o ropa holgada. Fije el pelo largo. El escarpar



puede ocurrir si el pelo no se mantiene lejos de la herramienta y accesorios. La asfixia puede ocurrir si los collares no se mantienen lejos de la herramienta y los accesorios.

- Nunca utilice el cincel como una herramienta para asestar golpes a mano. Están diseñados y tratados al calor para ser utilizados solamente dentro los martillos con aire. Elija la tija y la abrazadera apropiadas para esta herramienta.

- Nunca utilice accesorios desafilados. Nunca refresque un accesorio caliente en agua; al hacerlo puede provocar la quebrantadura o un fallo prematuro del accesorio. Utilizando los accesorios como una palanca puede romper los accesorios o dañar la herramienta. Tome piezas más pequeñas para evitar atascar los accesorios.

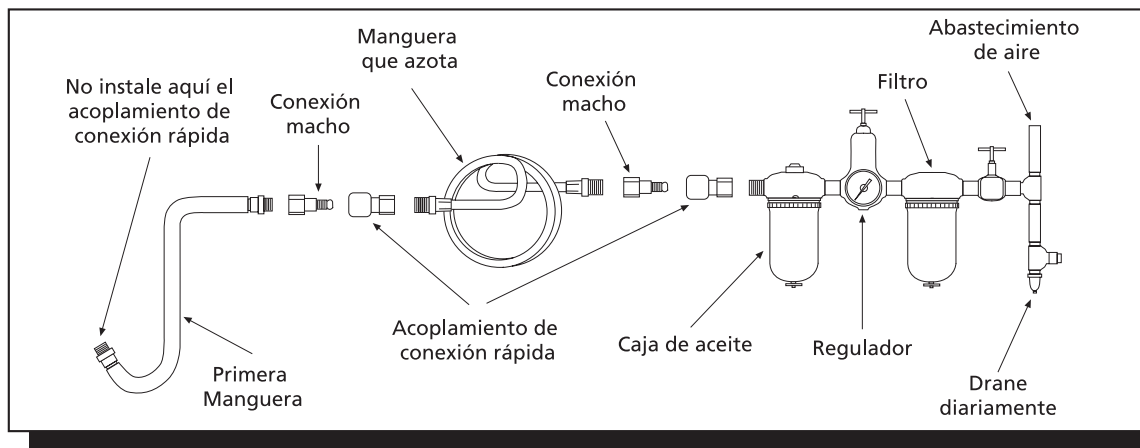
- No lubrique las herramientas con líquidos inflamables o volátiles como queroseno, gasoil o combustible para aviones.

- No fuerce la herramienta más allá de su índice de capacidad.

- No quite las etiquetas. Reemplace las etiquetas gastadas.

- Utilice los accesorios recomendados por Napa Professional Air Tools.

ABASTECIMIENTO DEL AIRE



Las herramientas que se encuentran en esta clase funcionan con una variedad grande de presiones del aire. Recomendamos que la presión del aire para estas herramientas sea de 90 PSI en la herramienta; funcionando a una presión más alta (más de 90 PSI; 6.2 bar) levanta los resultados más allá de su índice de capacidad; al hacerlo reducirá la vida de la herramienta, producirá el uso prematuro y podrá provocar lesiones.

Utilice siempre aire limpio y seco. Polvo, vapores corrosivos y/o agua dentro de la manguera del aire podrán provocar daños a la herramienta. Drene el contenedor del aire diariamente. Limpie el filtro de la entrada del aire al menos una vez por semana. Puede ver en la ilustración arriba, el procedimiento recomendado de instalación.

La entrada del aire utilizada para conectar el aire tiene una entrada estándar de 6 mm (1/4") NPT. Debe aumentar la presión de la manguera para compensar las mangueras del aire que sean extraordinariamente largas (más allá de 7.6 m). El diámetro mínimo de la manguera debe ser de 9.5 mm (3/8") D.I. y los acoplamientos deben tener las mismas dimensiones interiores y ser apretados firmemente.

LUBRIFICACIÓN

Lubrique diariamente la herramienta con aire, utilizando un aceite de calidad para herramientas con aire. Si no utiliza un aceite para la manguera del aire, eche una

cucharadita de aceite a través de la herramienta. Puede echar el aceite dentro de la entrada del aire de la herramienta o dentro de la manguera en la conexión más

cercana del abastecimiento del aire; después, haga funcionar la herramienta.

FUNCIONAMIENTO

Coloque siempre un cincel dentro del martillo y mantenga la herramienta hacia abajo y hacia el lugar del trabajo, antes de proceder con el funcionamiento. Al no seguir esta precaución, puede dañar la herramienta o la abrazadera.

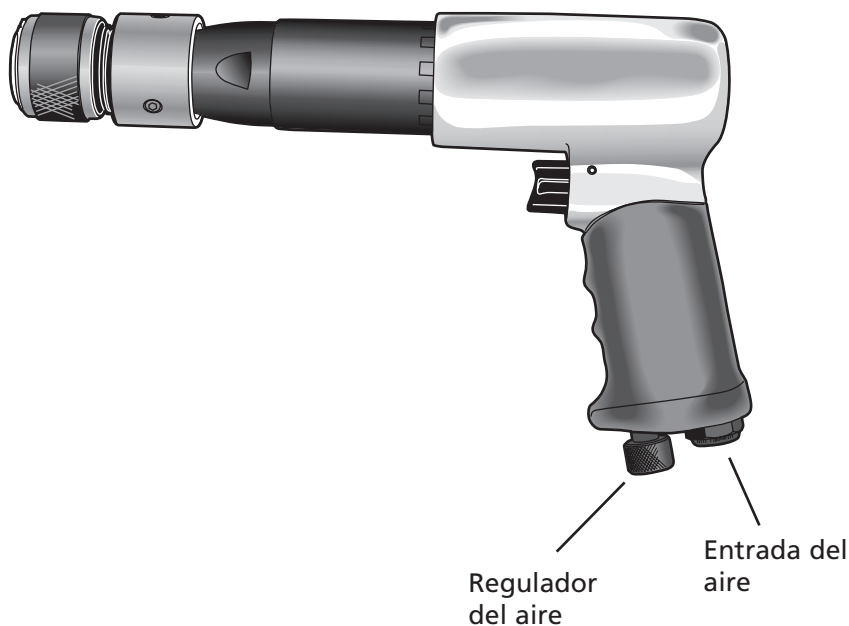
Las abrazaderas del cincel no están diseñadas para ofrecer una seguridad completa contra un aflojamiento accidental de los cinceles o martillos. Para evitar las

lesiones, nunca debe apoyar sobre el gatillo a menos que el cincel esté mantenido firmemente contra el lugar del trabajo. Cuando no utilice la herramienta, debe quitar el cincel. Durante el funcionamiento debe llevar gafas de protección para protegerle a Ud. contra la herrumbre y las lascas volátiles. Cuando utilice la herramienta, arregle la velocidad de tal manera que el cincel no pueda ser expulsado fuera del cilindro. Si permite que el

émbolo toque la pared del cilindro, dañará el interior de la herramienta.

Para cambiar el cincel retroceda la abrazadera e inserte el cincel. Afloje la abrazadera .

Para arreglar el aire, gire el botón del regulador del aire hacia fuera para obtener la presión máxima del aire y hacia dentro para la mínima.



ESPECIFICACIONES

Golpes por minuto	2,200 BPM
Diámetro del agujero	19 mm
Movimiento del émbolo	9.5 cm
Rosca de entrada del aire	1/4" NPT
Tamaño de manguera	3/8" I.D.
Consumo mediano de aire	4 CFM
Presión del aire	90 psig (6.2bar)
Nivel del sonido	110 dBA
Longitud	27 cm
Peso para transporte.....	1.87 kg.

PROBLEMAS Y SOLUCIONES

LLAVES DE IMPACTO

LA HERRAMIENTA FUNCIONA LENTAMENTE O NO FUNCIONA EN ABSOLUTO Y / O EL AIRE EMANA SOLAMENTE UN POCO DEL SISTEMA DE ESCAPE — La causa probable: La corriente de aire está bloqueada por una acumulación de suciedad; las partes del motor están atascadas con suciedad; el regulador de la corriente ha vibrado hacia una posición cerrada.

DEBE: Verifique el colador de la entrada del aire para detectar un bloqueo posible. Eche una cantidad generosa de aceite para herramientas con aire dentro de la entrada del aire. Haga funcionar la herramienta con golpes cortos en ambas direcciones, adelante y atrás. Repita si es necesario. Si los resultados de la herramienta no mejoran, debe solicitar mantenimiento a un centro autorizado de servicio.

HERRAMIENTA NO FUNCIONA Y AIRE DEL ESCAPE EMANA LIBREMENTE:

La causa probable: Una o más de las valetas del motor está atascada, a causa de una acumulación de suciedad o barniz; el motor puede estar oxidado.

DEBE: Eche una cantidad generosa de aceite para herramientas con aire dentro de la entrada del aire. Haga funcionar la herramienta con golpes cortos en ambas direcciones, adelante y atrás. Golpee ligeramente la caja del motor con un mazo de plástico. Desconecte el abastecimiento del aire. Intente liberar el motor girando manualmente el mango de propulsión, si es posible. Si la herramienta está atascada siempre, debe solicitar mantenimiento a un centro autorizado de servicio.

LOS CASQUILLOS NO SE MANTIENEN SOBRE LA HERRAMIENTA: La causa probable: El anillo para bloquear o el anillo blando alternativo del casquillo están gastados.

DEBE: Lleve gafas de protección. Desconecte el abastecimiento del aire. Quite el viejo anillo para bloquear, utilizando tenazas al exterior para mantener el anillo para bloquear. Manteniendo la pieza cuadrada con una llave abierta apropiada, utilice un destornillador pequeño utilizándolo como una palanca sobre el viejo anillo para quitarlo fuera de la ranura. Quite

siempre el anillo fuera de su cuerpo - puede ser propulsado hacia afuera con una velocidad alta. Cambie el anillo "O" alternativo y el anillo para bloquear con las partes apropiadas (Vea la lista). Coloque el anillo para bloquear sobre la mesa, apoye el yunque de la herramienta dentro del anillo con un movimiento oscilante. Coloquelo a mano con un golpe en la ranura.

USO PREMATURO DEL YUNQUE:

La causa probable: El uso de los casquillos de cromo o los casquillos están gastados.

DEBE: Deje utilizar casquillos de cromo. Los casquillos de cromo tienen una superficie dura y un corazón blando. El agujero del casquillo se hace redondo, pero está siempre más duro. Además del peligro al romperse, los yunques de llave se gastarán antes de tiempo cuando los utilice con casquillos de cromo.

LA HERRAMIENTA PIERDE LENTAMENTE SU POTENCIA PERO FUNCIONA SIEMPRE A TODA VELOCIDAD LIBREMENTE.

La causa probable: Partes gastadas del embrague, causadas por una lubricación inadecuada; pisando la leva del embrague cuando esté gastada o pegada a causa de una lubricación inadecuada.

DEBE: PARA LLAVES LUBRIFICADAS CON ACEITE - Verifique para detectar la presencia de aceite para embrague (donde se especifica el uso de aceite para el embrague) y quite el tapón para aceite; inclínelo para drenar todo el aceite de la caja del embrague; rellénela con aceite SAE 30 o el tipo de aceite recomendado por el fabricante en la cantidad especificada. Verifique también para detectar una cantidad excesiva de aceite. Las cajas del embrague necesitan solamente un relleno de 50%. Una sobrecarga puede causar un arrastre sobre las partes del embrague de velocidad alta. Una llave típica de 13 mm (1/2") lubricada con aceite necesita solamente 14 ml de aceite para embrague. PARA LLAVES LUBRIFICADAS CON GRASA - Verifique para detectar una cantidad excesiva de grasa, girando el mango de propulsión manualmente. El mango debe girar libremente. El exceso está

normalmente propulsado hacia afuera automáticamente.

LA HERRAMIENTA NO SE APAGA: La causa probable: Un anillo "O" de la válvula de aceleración está gastado, fuera de su posición o el eje de la válvula de aceleración está doblado o atascado con partículas de suciedad.

DEBE: Quite el ensamblado e instale un nuevo anillo "O". Lubrique con aceite para herramientas con aire y haga funcionar el gatillo rápidamente. Si no puede funcionar la herramienta adecuadamente, debe solicitar mantenimiento para la herramienta a un centro autorizado de servicio.

TRINQUETES CON AIRE

EL MOTOR FUNCIONA, EL EJE NO GIRA O GIRA DE UN MODO IRREGULAR —

La causa probable: Diente gastado sobre el trinquete o el engranaje; resorte con presión del engranaje está frágil o quebrado; resortes de arrastre frágiles no pueden mantener el eje cuando el engranaje se mueva hacia un otro diente.

DEBE: Obtenga un reemplazo de las partes, que serán instaladas por un centro autorizado de servicio.

LA HERRAMIENTA NO FUNCIONA, LA CABEZA DEL TRINQUETE PUEDE SER MOVIDA MANUALMENTE CON DIFICULTAD —

La causa probable: Acumulación de suciedad dentro de las partes del motor.

DEBE: Eche una cantidad generosa de aceite para herramientas con aire dentro de la entrada del aire. Haga funcionar la válvula de aceleración en golpes cortos. Con el casquillo pisado sobre la tuerca, apriete y afloje manualmente la tuerca por otra parte. Si la herramienta está siempre atascada, debe solicitar mantenimiento a un centro autorizado de servicio.

TALADROS CON AIRE

LA HERRAMIENTA NO FUNCIONA, FUNCIONA LENTAMENTE, EL AIRE EMANA LIGERAMENTE DEL SISTEMA DE ESCAPE Y EL EJE GIRA LIBREMENTE —

La causa probable: La corriente de aire está bloqueada por una acumulación de suciedad; las partes del motor están atascadas con suciedad.

PROBLEMAS Y SOLUCIONES

DEBE: Verifique la entrada del aire para detectar un bloqueo posible. Eche una cantidad generosa de aceite para herramientas con aire dentro de la entrada del aire. Haga funcionar el gatillo en golpes cortos. Desconecte el abastecimiento del aire. Si los resultados de la herramienta no mejoran, debe solicitar mantenimiento a un centro autorizado de servicio.

LA HERRAMIENTA NO FUNCIONA, EL AIRE EMANA LIBREMENTE DEL SISTEMA DE ESCAPE Y EL EJE GIRA LIBREMENTE — La causa probable: Una acumulación de suciedad o barniz sobre las valetas del rotor.

DEBE: Eche una cantidad generosa de aceite para herramientas con aire dentro de la entrada del aire. Haga funcionar el gatillo en golpes cortos. Desconecte el abastecimiento del aire; gire manualmente el mandril vacío y cerrado del taladro. Vuelva a conectar el abastecimiento del aire. Si los resultados de la herramienta no mejoran, debe solicitar mantenimiento a un centro autorizado de servicio.

LA HERRAMIENTA ESTÁ COMPLETAMENTE BLOQUEADA,

EL EJE NO GIRA — La causa probable: Una valeta del motor está quebrada; engranajes quebrados o atascados con un objeto extraño.

DEBE: Mande la herramienta a un centro autorizado de servicio.

LA HERRAMIENTA NO SE APAGA: La causa probable: Un anillo "O" de la válvula de aceleración está fuera de su asiento.

DEBE: Vea la lista para conocer el número de la pieza y reemplace el anillo "O" o mande la herramienta a un centro autorizado de servicio.

MARTILOS CON AIRE

LA HERRAMIENTA NO FUNCIONA — La causa probable: La válvula de los ciclos o la válvula de aceleración están atascadas con suciedad.

DEBE: Eche una cantidad generosa de aceite para herramientas con aire dentro de la entrada del aire. Verifique para detectar la presencia de suciedad. Haga funcionar el gatillo en golpes cortos (cincel en su lugar y contra una superficie dura). Si no está libre, desconecte el abastecimiento

del aire. Golpee ligeramente la extremidad o el cañón con un mazo de plástico y vuelva a conectar el abastecimiento del aire y repita las etapas anteriores. Si todavía no está libre, desconecte el abastecimiento del aire, inserte una varilla de 15 cm y un diámetro de 3 mm dentro de la boquilla y golpee ligeramente para aflojar el émbolo hacia atrás. Vuelva a conectar el abastecimiento del aire y repita las etapas anteriores.

CINCEL ATASCADO ESTÁ DENTRO DE LA BOQUILLA — La causa probable: La extremidad del mango de propulsión está deforme.

DEBE: Mande la herramienta a un centro autorizado de servicio.

NOTA: Desensamblado de esta herramienta que se haga por otro, que no sea un centro autorizado de servicio INVALIDARÁ la garantía para esta herramienta.

POLÍTICA DE GARANTÍA: Las herramientas NAPA PROFESSIONAL AIR TOOLS están garantizadas contra cualquier falta de material o de mano de obra durante un periodo de un (1) año a partir de la fecha de la compra original. Reemplazaremos o repararemos a nuestra elección, cualquier parte o unidad defectuosa que pueda demostrar una falta de material o de mano de obra durante este periodo de un (1) año. Todas las herramientas NAPA PROFESSIONAL AIR TOOLS deben ser reparadas solamente en centros de servicio autorizados NAPA PROFESSIONAL AIR TOOLS. Esta garantía no cubre los daños a las herramientas provocados por modificaciones, abuso, utilización mala y no cubre reparaciones ejecutadas por cualquier centro de reparaciones que no sea un centro autorizado de garantía NAPA PROFESSIONAL AIR TOOLS. Las herramientas enviadas desmontadas no serán cubiertas como una reparación bajo garantía.

Envíe las herramientas franco de porte a los centros de servicio. Asegúrese de incluir su nombre, dirección y número de teléfono, incluyendo la información de la prueba de la compra con cada una de las herramientas.

