



# PROFESSIONAL AIR TOOLS

## ! WARNING

Some dust created by power sanding, sawing, grinding, drilling, and other construction activities contains chemicals known to cause cancer, birth defects or other reproductive harm. Some examples of these chemicals are:

- lead from lead-based paints,
- crystalline silica from bricks, cement and other masonry products, and
- arsenic and chromium from chemically-treated lumber.

The risk of exposure to these types of chemicals varies depending on how frequently you work with certain materials. To reduce your exposure to these chemicals, work in a well-ventilated area and work with approved safety equipment, such as dust masks that are specifically designed to filter out microscopic particles.

## ! AVERTENCIA

El polvo ocasionado por del lijado neumático, el aserrado, la rectificación, la perforación y otras actividades de construcción puede contener sustancias químicas conocidas como agentes causantes del cáncer, defectos de nacimiento y otros daños reproductivos. Algunos ejemplos de dichas sustancias químicas son:

- El plomo proveniente de las pinturas con base de plomo
- La sílica cristalina proveniente del ladrillo, cemento y otros productos de mampostería, y
- El arsénico y el cromo proveniente de maderos tratados con sustancias químicas

El riesgo de ser expuesto a estos tipos de sustancias químicas varía según la frecuencia con la cual usted trabaja con ciertas sustancias químicas. Para disminuir la posibilidad de exposición a dichas sustancias químicas, usted debe trabajar en un área bien ventilada y con equipo aprobado de seguridad, tal como las mascarillas de polvo las cuales son diseñadas específicamente para filtrar las partículas microscópicas.

## ! AVERTISSEMENT

Les travaux de construction effectués à l'aide d'un outil électrique, comme le sablage, le sciage, le meulage et le perçage, produisent de la poussière qui contient des produits chimiques. De tels produits sont reconnus comme cancérogènes. Ils peuvent aussi causer des anomalies congénitales ou nuire d'une autre manière à la reproduction. Voici quelques exemples de ces produits chimiques :

- le plomb contenu dans les peintures à base de plomb;
- la silice cristallisée contenue dans les briques, le ciment et d'autres produits de maçonnerie;
- l'arsenic et le chrome contenus dans le bois de sciage traité avec des produits chimiques.

Les risques d'exposition à ces produits chimiques varient selon la fréquence d'utilisation de certains matériaux. Pour réduire l'exposition, il est recommandé de travailler dans un endroit bien aéré et de porter de l'équipement de protection approuvé tel qu'un masque antipoussière spécialement conçu pour filtrer les particules microscopiques.



*THIS INSTRUCTION MANUAL CONTAINS  
IMPORTANT SAFETY INFORMATION.*

*READ CAREFULLY AND UNDERSTAND  
ALL INFORMATION BEFORE OPERATING  
THIS TOOL!*

*SAVE THIS MANUAL FOR  
FUTURE REFERENCE.*

*LAS INSTRUCCIONES EN ESPAÑOL  
COMIENZAN EN LA PÁGINA # 8.*

*ESTE MANUAL DE INSTRUCCIONES  
CONTIENE IMPORTANTES  
INFORMACIONES DE SEGURIDAD*

*¡LEA CUIDADOSAMENTE Y ASEGÚRESE  
DE COMPRENDER TODAS ESTAS  
INFORMACIONES, ANTES DE PROCEDER  
CON EL FUNCIONAMIENTO DE ESTA  
HERRAMIENTA!*

*CONSERVE ESTE MANUAL PARA TENER  
UNA REFERENCIA EVENTUAL.*

*INSTRUCTIONS EN FRANÇAIS À PARTIR  
DE LA PAGE 13*

*CE GUIDE D'UTILISATION RENFERME  
D'IMPORTANTES CONSIGNES DE  
SÉCURITÉ.*

*LISEZ-LE ATTENTIVEMENT ET  
ASSUREZ-VOUS D'AVOIR BIEN COMPRIS  
TOUTES LES DIRECTIVES AVANT  
D'UTILISER CET OUTIL!*

*CONSERVER CE GUIDE POUR  
CONSULTATION ULTÉRIEURE.*

## 3/4" DRIVE SUPER DUTY AIR IMPACT WRENCH W/ 6" EXTENDED ANVIL

**Llave de impacto para servicio pesado 3/4"  
c/ yunque extendido de 6"**

**Clé à chocs ultrarobuste à mandrin  
allongé de 6 po, prise de 3/4 po**

# 6-1075

# !WARNING

## FAILURE TO OBSERVE THESE WARNINGS COULD RESULT IN INJURY.

THIS INSTRUCTION MANUAL CONTAINS IMPORTANT SAFETY INFORMATION.



READ THIS INSTRUCTION MANUAL CAREFULLY AND

UNDERSTAND ALL INFORMATION BEFORE OPERATING THIS TOOL.

- Always operate, inspect and maintain this tool in accordance with American National Standards Institute Safety Code of Portable Air Tools (ANSI B186.1) and any other applicable safety codes and regulations.



operate this tool at 90 psig, 6.2 bar max air pressure with 1/2" diameter air supply hose.

- Always wear impact-resistant eye and face protection when operating or performing maintenance on this tool.



- High sound levels can cause permanent hearing loss. Always use hearing protection as recommended by your employer and OSHA regulations while using this tool.



- Keep the tool in efficient operating condition.
- Operators and maintenance personnel must be physically able to handle the bulk, weight and power of this tool.
- Compressed air can cause severe injury. Never direct air at yourself or others. Always turn off the air supply, drain hose

- of air pressure, and detach tool from air supply before installing, removing, or adjusting any part or accessory on this tool, or before performing any maintenance on this tool. Failure to do so could



- result in injury. Whip hoses can cause serious injury. Always check for and replace any damaged, frayed, or loose hoses and



- fittings. Do not operate a damaged or worn tool. Do not use quick-detach couplings at tool. See instructions for correct setup.



- Air-powered tools can vibrate during use. Extended exposure to vibration, repetitive motions, or uncomfortable positions during use may be harmful to your hands and arms. Discontinue use of tool if discomfort, tingling, or pain occurs. Seek medical advice before resuming use.



- Place the tool on the work before starting the tool. Do not point or indulge in any horseplay with this tool.

- Slipping, tripping and/or falling while operating air tools can be a major cause of serious injury or death. Be aware of excess hose left on the walking or work surface.



- Keep body working stance balanced and firm. Do not overreach when operating the tool.
- Anticipate and be alert for sudden changes in motion during use of any power tool.

- Do not carry tool by the hose. Protect the hose from sharp objects and heat.



- Tool shaft may continue to rotate briefly after throttle is released. Avoid direct contact with accessories during and after use. Gloves will reduce the risk of cuts or burns.

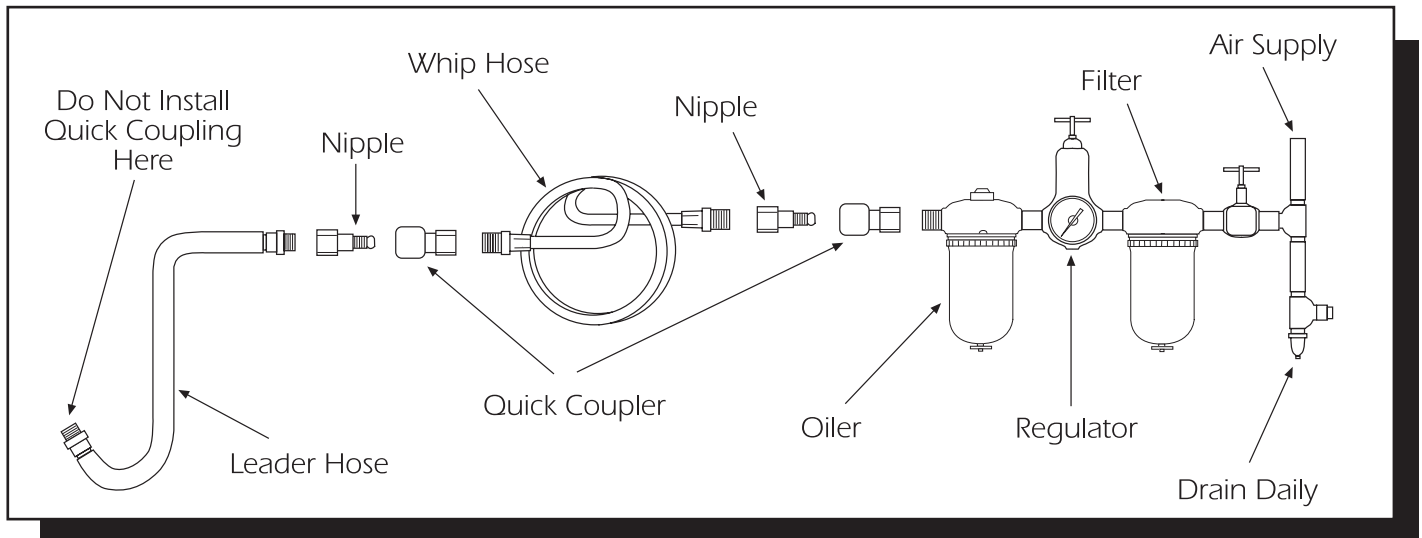
- Keep away from rotating end of tool. Do not wear jewelry or loose clothing. Secure long hair. Scalping can occur if hair is not kept away from tool and accessories. Choking can occur if neckwear is not kept away from tool and accessories.



- Do not lubricate tools with flammable or volatile liquids such as kerosene, diesel or jet fuel.
- Impact wrenches are not torque control devices. Fasteners with specific torque requirements must be checked with suitable torque measuring devices after installation with an impact wrench.
- Use only impact wrench sockets and accessories on this tool. Do not use hand sockets and accessories, as they may be damaged or cause damage to the equipment or operator.
- Do not force tool beyond its rated capacity.
- Do not remove any labels. Replace any damaged labels.
- Use accessories recommended by NAPA Professional Air Tools.

PLEASE REVIEW ALL WARNING INSTRUCTIONS PRIOR TO OPERATION. SAVE THIS MANUAL FOR FUTURE REFERENCE.

# AIR SUPPLY



Tools of this class operate on a wide range of air pressures. We recommend that air pressure measures 90 PSI at the air inlet while in use. Low pressure (less than 90 psig/6.2 bar) reduces the speed and performance of all air tools. High pressure (over 115 psig/8.0 bar) exceeds the rated capacity of the tool, which will shorten tool life through faster wear and could cause injury.

Always use clean, dry air. Dust, corrosive fumes, and/or water in the air line will

cause damage to the tool. Drain the air tank daily. Clean the air inlet filter screen at least once per week.

The air inlet used for connecting the air supply has



standard 3/8" NPT American Thread. Line pressure should be increased to compensate for unusually long air hoses (over 25 feet). Minimum hose diameter should be 1/2" I.D. Fittings should have the same inside dimensions and should be tightly secured.

# LUBRICATION

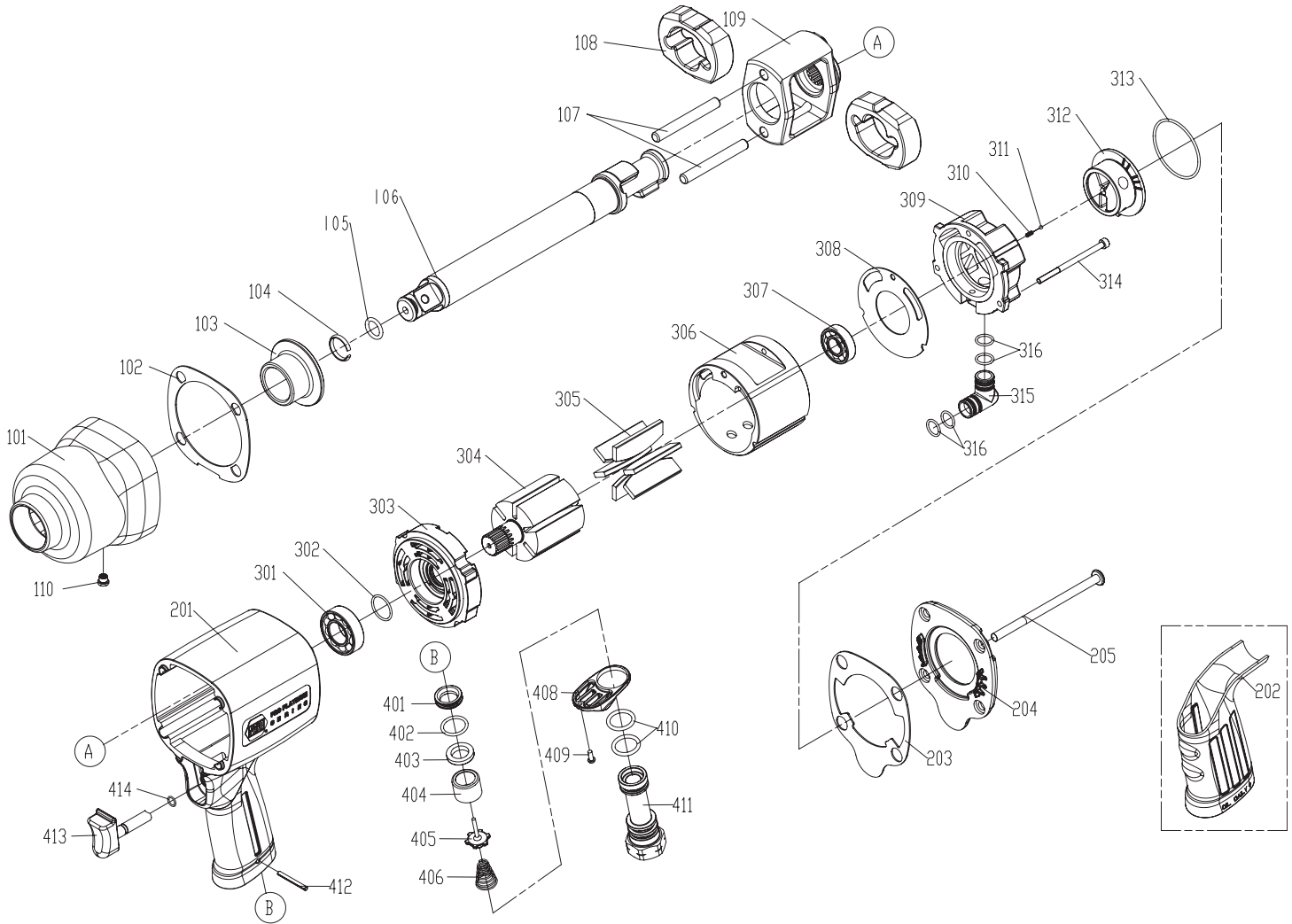
Lubricate the air motor daily with NAPA air tool oil. If no air line oiler is used, run 1/2 oz. of oil through the

tool. The oil can be squirted into the tool air inlet or into the hose at the nearest connection to the air supply,

then run the tool. Overfilling will cause a reduction in the power of the tool.

# PARTS BREAKDOWN

# 6-1075



PLEASE REVIEW ALL WARNING INSTRUCTIONS PRIOR TO OPERATION. SAVE THIS MANUAL FOR FUTURE REFERENCE.

Ref. No.	Part No.	Description	QTY.
101	RS1074101	Hammer Case	1
102	RS1074102	Hammer Case Gasket	1
103	RS1074103	Hammer Case Bushing	1
104	RS76806	Socket Retainer	1
105	RS76807	O-Ring	1
106	RS1075106	Anvil (extended)	1
	RS1074106	Anvil (standard)-optional	
107	RS1074107	Hammer Frame Pin	2
108	RS1074108	Hammer	2
109	RS1074109	Hammer Frame	1
RS176110	<del>RS1074110</del>	Hammer Case Grease Fitting	1
201	RS1074201	Housing	1
202	RS1074202	Handle Grip	1
203	RS1074203	Rear Cover Gasket	1
204	RS1074204	Rear Cover	1
205	RS1074205	Star Head Bolt	4
301	RS1074301	Bearing	1
302	RS1074302	O-Ring	1
303	RS1074303	Magazine	1
304	RS1074304	Rotor	1
305	RS1074305	Rotor Blade	6
306	RS1074306	Cylinder	1
307	RS227B25	Bearing	1
308	RS1074308	Regulator Base Gasket	1
309	RS1074309	Regulator Base	1
310	RS76721	Spring	1
311	RS1734416	Steel Ball	1
312	RS1074312	Reverse Valve	1
313	RS1074313	O-Ring	1
314	RS1074314	Hex Socket Head Bolt	3
315	RS1074315	Inlet	1
316	RS1837114	O-Ring	4
401	RS76830	Insert Busing	1
402	RS76838	O-Ring	1
403	RS76831	Oil Seal	1
404	RS76839	Bushing	1
405	RS1074405	Tip Valve	1
406	RS1074406	Spring	1
408	RS1074408	Deflector	1
409	RS1735411	Tap Bolt	1
410	RS1074410	O-Ring	2
411	RS1074411	Air Inlet	1
412	RS1074412	Spring Pin	1
413	RS1074413	Trigger	1
414	RS400414	O-Ring	1

Also available: RS1074TK, tune-up kit, including: 102, 104, 105, 203, 302, 305 (6), 308, 313, 316 (4), 402, 403, 410 (2), 414.

PLEASE REVIEW ALL WARNING INSTRUCTIONS PRIOR TO OPERATION. SAVE THIS MANUAL FOR FUTURE REFERENCE.

# OPERATION

The air regulator knob can be used as an air throttle, if there are no other means of regulating air. Turn the air regulator knob all the way to highest position for maximum power.

The air regulator can be used to adjust torque to the approximate tightness of a known fastener.

To set the tool to desired torque, select a nut or screw of known tightness of the same size, thread pitch and thread condition as those on the job. Turn air regulator to low position, apply wrench to nut and gradually increase power (turn regulator to admit more air) until nut moves slightly in the direction it was originally set. The tool is now set to duplicate that tightness - note regulator setting

for future use. When tightening nuts not requiring critical torque values, run nut up flush and then tighten an additional one-quarter to one-half turn (slight additional turning is necessary if gaskets are being clamped). For additional power needed on disassembly work, turn regulator to its fully open position. This impact wrench is rated at 3/4" USS bolt size. Rating must be down graded for spring U bolts, tie bolts, long cap screws, double depth nuts, badly rusted conditions and spring fasteners, as they absorb much of the impact power. When possible, clamp or wedge the bolt to prevent springback.

Soak rusted nuts in penetrating oil and break rust seal before removing

with impact wrench. If nut does not start to move in three to five seconds, use a larger size impact wrench. Do not use impact wrench beyond rated capacity, as this will drastically reduce tool life.

The forward/reverse lever is used to change the rotation of the tool. When the lever is moved to the right, the tool is in a forward or right hand rotation. When the lever is moved to the left, the rotation is reverse or left hand.

*NOTE: Actual torque on a fastener is directly related to joint hardness, tool speed, condition of socket and the time the tool is allowed to impact.*

*Use the simplest possible tool-to-socket hook up. Every connection absorbs energy and reduces power.*



## SPECIFICATIONS

Free Speed .....	5,750 RPM
Max. Torque .....	1,080 ft. lbs.
Working Torque .....	100-880 ft. lbs.
Air Inlet .....	3/8" NPT
Min. Hose Size .....	1/2" I.D.
Avg. Air Cons. ....	6.9 CFM
Recom. Air Pressure.....	90 PSIG (6.2 bar)
Weight .....	8.8 lbs.
Length.....	14.6"
Sound Level .....	93.1 dBA

**WARRANTY POLICY:** This NAPA PROFESSIONAL AIR TOOL, 6-1075, is warranted against defects in material and workmanship for a period of one (1) year from the date of the original purchase. We will replace any defective part or unit which proves to be defective in material or workmanship during this one year period. In the unlikely event a replacement unit is required during this one year period, return the unit to your local NAPA Auto Parts Store for the free replacement. This warranty

does not cover damage to tools rising from alteration, abuse, misuse and does not cover any repairs made by anyone other than an authorized NAPA PROFESSIONAL AIR TOOL Service Center.

If service is required after the one year limited warranty, return tools to any authorized NAPA PROFESSIONAL AIR TOOL Service Center, transportation prepaid. Be sure to include your name, address and phone number with each tool.

**PLEASE REVIEW ALL WARNING INSTRUCTIONS PRIOR TO OPERATION. SAVE THIS MANUAL FOR FUTURE REFERENCE.**



# TROUBLESHOOTING

## IMPACT WRENCHES

**TOOL DOES NOT RUN OR RUNS SLOWLY, AND/OR AIR FLOWS ONLY SLIGHTLY FROM EXHAUST** — This condition is probably caused by insufficient air pressure, contaminants blocking the airflow or operation of motor parts, or a power regulator which has vibrated to a closed position.

**YOU SHOULD:** Check the air supply for sufficient pressure. Check the air inlet strainer for blockage. Pour a generous amount of air tool oil into air inlet. Operate tool in short bursts, in both forward and reverse directions. Repeat if necessary. If tool performance does not improve, the tool should be serviced by an authorized service center.

**TOOL WILL NOT RUN, EXHAUST AIR FLOWS FREELY.** This condition is probably caused by one or more motor vanes stuck on accumulated sludge or varnish; motor rusted.

**YOU SHOULD:** Pour a generous amount of air tool oil into air inlet. Operate tool in short bursts in both forward and reverse directions. Lightly tap the motor housing with a plastic mallet. Detach the air supply. Try to free the motor by turning the drive shaft manually, if possible. If the tool remains jammed, it should be serviced by an authorized service center.

**SOCKETS WILL NOT STAY ON.** This condition is probably caused by a worn socket retainer ring or a soft backup o-ring

**YOU SHOULD:** Wear safety goggles. Detach the air supply. Using external retaining ring pliers, remove the old retaining ring. While holding the square drive with an appropriate wrench, use a small screwdriver to pry old retainer ring out of its groove. Always pry the ring away from your body, because it can be propelled outward at high velocity. Replace the backup o-ring and retainer ring with correct new parts (see breakdown). Place the retaining ring on a table and press the tool anvil into the ring with a rocking motion. Snap the ring into the groove by hand.

**PREMATURE ANVIL WEAR.** This is probably caused by using chromed sockets, which are not designed for use with impact tools, or worn sockets

**YOU SHOULD:** Stop using chrome sockets. Chrome sockets have a hard exterior surface and a soft core, which leads to a warped but very hard drive hole when used with impact tools. Chrome sockets will wear wrench anvils quickly and present a danger of splitting or breakage which can lead to injury or death.

**TOOL SLOWLY LOSES POWER BUT RUNS AT FULL SPEED WHEN NOT UNDER LOAD.** This condition is probably caused by worn clutch

parts, inadequate lubrication, or worn engaging cam.

**YOU SHOULD: FOR OIL LUBED WRENCHES**  
**FOR OIL LUBED WRENCHES:** Check for presence of clutch oil (where oil is specified for the clutch) and remove oil fill plug. Tilt to drain all of the oil from the clutch case. Refill the case with NAPA air tool oil or that recommended by the manufacturer in the specified amount. Also check for excess clutch oil. Clutch cases only need to be filled 50%, and overfilling can cause drag on high speed clutch parts. A typical 1/2" Drive oil lubed wrench only requires 1/2 ounce of clutch oil. **FOR GREASE LUBED WRENCHES:** Check for excess grease by rotating drive shaft by hand. It should rotate freely, and excess grease is usually expelled automatically.

**TOOL WILL NOT SHUT OFF.** This condition is probably caused by a broken or maligned throttle valve O-ring, or a bent or jammed throttle valve stem.

**YOU SHOULD:** Remove the throttle assembly and install a new o-ring. Lubricate the assembly with air tool oil and operate the trigger briskly. If operation cannot be restored, the tool should be serviced at an authorized service center.

## AIR RATCHETS

**MOTOR RUNS. SPINDLE DOESN'T TURN, OR TURNS ERRATICALLY** — This condition is probably caused by worn teeth on the ratchet or pawl, a broken or weak pawl pressure spring, or weak drag springs which fail to hold the spindle while the pawl advances.

**YOU SHOULD:** Have replacement parts installed by an authorized service center.

**TOOL DOESN'T RUN, RATCHET HEAD INDEXES CRISPLY BY HAND** — This condition is probably caused by the accumulation of dirt or sludge in motor parts.

**YOU SHOULD:** Pour a generous amount of air tool oil into the air inlet. Operate the throttle in short bursts. With the tool engaged on a bolt, alternately tighten and loosen the bolt by hand. If the tool remains jammed, it should be serviced at an authorized service center

## AIR DRILLS

**TOOL WILL NOT RUN, RUNS SLOWLY, AIR FLOWS SLIGHTLY FROM EXHAUST, SPINDLE TURNS FREELY** — This condition is probably caused by a blocked air passage or jammed motor parts.

**YOU SHOULD:** Check the air inlet for blockages. Pour a generous amount of air tool oil into air inlet. Operate the trigger in short bursts. Detach the air supply. Turn the empty and closed drill chuck by hand. Reconnect air supply. If the tool's performance does not improve, it

should be serviced by an authorized service center.

**TOOL WILL NOT RUN. AIR FLOWS FREELY FROM EXHAUST. SPINDLE TURNS FREELY.** This condition is probably caused by a broken motor vane or jammed or broken gears.

**YOU SHOULD:** Pour a generous amount of air tool oil into air inlet. Operate the trigger in short bursts. Detach the air supply. Turn the empty and closed drill chuck by hand. Reconnect air supply. If the tool's performance does not improve, it should be serviced by an authorized service center.

**TOOL SEIZED. SPINDLE WILL NOT TURN** — This condition is probably caused by a broken rotor vane or jammed or broken gears.

**YOU SHOULD:** Have the tool serviced by an authorized service center.

**TOOL WILL NOT SHUT OFF** — The throttle valve o-ring has probably come unseated.

**YOU SHOULD:** Replace the o-ring (see breakdown) or have tool serviced by an authorized service center.

## AIR HAMMERS

**TOOL WILL NOT RUN** — This condition is probably caused by a clogged cycling valve or throttle valve.

**YOU SHOULD:** Check the air inlet for blockages. Pour a generous amount of air tool oil into air inlet. Operate the trigger in short bursts with the chisel in place and against a solid surface. Detach the air supply. Tap the nose or barrel lightly with a plastic mallet, reconnect the air supply, and repeat above steps. If the tool is still seized, insert a 6" piece of 1/8" diameter rod in the nozzle and lightly tap to loosen the piston in the rear direction. Reconnect air supply and repeat above steps.

**CHISEL STUCK IN NOZZLE** — This condition is probably caused by a deformed shank.

**YOU SHOULD:** Have tool serviced by an authorized service center

**NOTE: DISASSEMBLY OF THIS TOOL BY ANY OTHER THAN AN AUTHORIZED SERVICE CENTER WILL VOID THE WARRANTY ON THIS TOOL.**

# ! AVERTENCIA

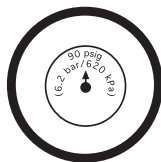
## AL NO SEGUIR TODAS INSTRUCCIONES DE LA LISTA ABAJO PUEDE PROVOCAR LESIONES GRAVES

**ESTE MANUAL DE INSTRUCCIONES CONTIENE IMPORTANTES INFORMACIONES DE SEGURIDAD.**



**LEA CUIDADOSAMENTE Y ASEGÚRESE DE COMPRENDER TODAS ESTAS INFORMACIONES, ANTES DE PROCEDER CON EL FUNCIONAMIENTO DE ESTA HERRAMIENTA.**

- Haga funcionar, verifique y mantenga esta herramienta de acuerdo con el código ANSI (Organización nacional americana de normalización) para herramientas portátiles con aire (ANSI B186.1) y cualesquiera otros códigos de seguridad y regulaciones aplicables.



- Para obtener la seguridad, resultados y durabilidad óptimos de las partes, haga funcionar esta herramienta con una presión máxima de 90 psig (6.2 bar), utilizando una manguera de aire con un diámetro de 1/2".



- Siempre use protección para los ojos y la cara resistentes al impacto al operar o llevar a cabo el mantenimiento de esta herramienta.



- Niveles de sonidos altos pueden provocar una pérdida permanente del oído. Utilice una protección para las orejas según las recomendaciones de su patrón las regulaciones OSHA.

- Mantenga esta herramienta en condición eficaz de funcionamiento.

- Los operadores y el personal de mantenimiento deben físicamente poder manejar el volumen, el peso y la potencia de esta herramienta.



- El aire comprimido puede ocasionar lesiones serias. Nunca dirija el aire



hacia usted ni a otros. Siempre apague la alimentación de aire, vacíe toda la presión de aire de la manguera y desconecte la herramienta del suministro de aire antes de instalar, quitar o ajustar cualquier pieza o accesorio de esta herramienta, o antes de realizar cualquier mantenimiento de ella. Caso omiso en hacerlo podría ocasionar alguna lesión. Las mangueras



de látigo pueden ocasionar heridas serias. Siempre revise las mangueras y herrajes por daños, deshilachas o solturas, y si es necesario, repóngalos inmediatamente. No opere ninguna herramienta dañada ni deteriorada. No use los acoplamientos de separación rápida con la herramienta. Vea las instrucciones para la instalación correcta.



- Las herramientas neumáticas pueden vibrar durante su uso. Si uno está expuesto a las vibraciones, movimientos repetitivos o posturas incómodas por períodos extendidos de tiempo durante el uso, esto puede dañar a sus manos y brazos. Suspenda el uso de la herramienta si usted experimenta molestias, hormigueo o dolor. Pida alguna asistencia médica antes de continuar el uso de la herramienta

- Coloque la herramienta sobre el lugar de trabajo antes de hacer funcionar la herramienta. No la apunte en dirección de una persona y no juede con esta herramienta.



- Un deslizamiento, una zancadilla y/o una caída durante el funcionamiento de las herramientas con aire pueden ser causas importantes de lesiones graves o de la muerte. Asegúrese que no haya un excedente de manguera sobre la superficie donde esté caminando o trabajando.

- Mantenga una postura equilibrada y estable durante el trabajo. No vaya demasiado lejos durante el funcionamiento de la herramienta.

- Sea alerta y anticipe cambios repentinos de movimiento durante el uso de cualquier herramienta neumática.



- No transporte la herramienta por la manguera. Proteja la manguera contra los objetos afilados y el calor.

- El eje de la herramienta puede continuar brevemente su rotación después del aflojamiento del gatillo. Evite el contacto directo con los accesorios durante y después del uso. El uso de guantes reducirá el riesgo de cortes y quemaduras.



- Manténgase alejado de la extremidad giratoria de la herramienta. No lleve joyas o ropa holgada. Fije el pelo largo. El escalpar puede ocurrir si el pelo no se mantiene lejos de la herramienta y accesorios. La asfixia puede ocurrir si los collares no se mantienen lejos de la herramienta y los accesorios.

- No lubrique las herramientas con líquidos inflamables o volátiles como queroseno, gasoil o combustible para aviones.

- Llaves de impacto no son dispositivos de control dinamométrico. Las abrazaderas que tengan requisitos específicos de torsión deben estar verificadas con los dispositivos apropiados de control dinamométrico, después de la instalación con una llave de impacto.

- Use sólo con los casquillos de llave de impacto y accesorios designados para dicha herramienta. No use los casquillos de mano ni accesorios, ya que estos pueden ser dañados u ocasionar daño al equipo o al operador.

- No fuerce la herramienta más allá de su índice de capacidad.

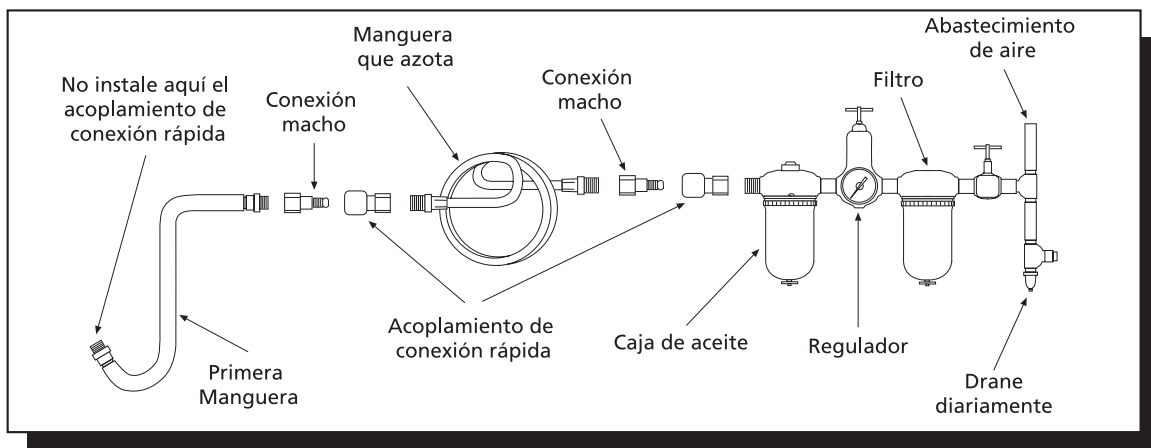
- No quite las etiquetas. Reemplace las etiquetas gastadas.

- Utilice los accesorios recomendadas por Napa Professional Air Tools.

**REVISE TODAS LAS INFORMACIONES DE ADVERTENCIA, ANTES DE PROCEDER CON EL FUNCIONAMIENTO. CONSERVE ESTE MANUAL PARA TENER UNA REFERENCIA EVENTUAL.**



# SUMINISTRO DE AIRE



Las herramientas de esta categoría operan bajo una amplia gama de presiones de aire. Nosotros recomendamos que la presión de aire mida 90 PSI en el punto de ventila de admisión de aire, mientras la herramienta esté en uso. La presión baja (menos de las 90 psig/6.2 bar) reduce la velocidad y potencia de las herramientas neumáticas. La presión alta (arriba de las 115 psig/8.0 bar) excede la capacidad nominal de

la herramienta, y se disminuirá la vida útil del producto a través del desgaste mayor y esto también podría ocasionar lesiones.

Siempre use aire limpio y seco. El polvo, los vapores corrosivos y/o el agua en la tubería de aire dañarán la herramienta. Vacíe el tanque de aire diariamente. Limpie la rejilla del filtro de la admisión de aire al menos una vez por semana de manera constante.

La admisión de aire que se ocupa para la conexión del suministro de aire cuenta con una rosca americana estándar de 3/8" NPT. Se debe aumentar la presión en la línea para compensar por las mangueras de aire incommonmente largas (mayores de 25 pies). El diámetro mínimo de la manguera debe de ser de 1/2" de diámetro interior. Los herrajes deben contar con las mismas dimensiones y deben estar fijamente sujetos.

# LUBRIFICACIÓN

Lubrique diariamente el motor neumático con aceite NAPA para herramientas neumáticas. Si no se usa aceite de aerolínea, deje correr una 1/2 oz. de aceite por la herramienta. Se puede lanzar un

chorro de aceite por la ventila de admisión de aire de la herramienta, o por la manguera en la conexión más cercana al abastecimiento de aire, luego ponga en marcha la herramienta. El sobrellenado

reducirá la potencia de la herramienta.

# FUNCIONAMIENTO

El botón del regulador del aire puede ser utilizado como una mariposa del aire si no hay otros métodos para regular el aire. Gire el botón del regulador del aire completamente hacia la posición 4 para obtener la potencia máxima.

El regulador del aire puede ser utilizado para ajustar el nivel de torsión a una dureza aproximada, parecida a una abrazadera conocida.

Para ajustar la herramienta en la torsión deseada, elija una tuerca o un tornillo que tenga una dureza conocida y del mismo tamaño, longitud de rosca y condición de rosca como aquellas para el trabajo. Gire el regulador del aire hacia la posición baja, aplique la llave sobre la tuerca y aumente gradualmente la potencia (gire el regulador para permitir que entre más aire) hasta que la tuerca se mueva ligeramente, hacia la dirección marcada originalmente. La herramienta puede ahora duplicar la misma dureza - note el ajuste del regulador para tener una referencia eventual. Cuando las tuercas de apretamiento

no necesitan valores críticos de torsión, ponga la tuerca hacia una posición nivelada y después apriétela, dé una vuelta adicional de un cuarto hacia un medio ( una vuelta ligera adicional es necesaria si las juntas estan apretadas).

Para obtener la potencia adicional requerida durante un trabajo de desmontaje, gire el regulador hacia la posición completamente abierta. La llave de impacto tiene un índice de tamaño para tuercas de 19 mm (3/4") USS. Debe degradar el índice para tuercas con resorte en "U", tuercas de montaje, largos tornillos sin cabeza, tuercas de doble profundidad, para las condiciones de oxidación importante y para las abrazaderas con resorte ya que amortiguan en gran parte la potencia del impacto. Cuando sea posible, sujete o calce la tuerca para prevenir el regreso del resorte.

Empape las tuercas oxidadas en aceite penetrante y rompa el sello del herrumbre antes de quitarlo con la llave de impacto. Si la tuerca no comienza a moverse en tres o

cinco segundos, utilice una llave de impacto de tamaño más grande. No utilice la llave de impacto más allá del índice de capacidad, ya que al hacerlo reducirá dramáticamente la vida de la herramienta.

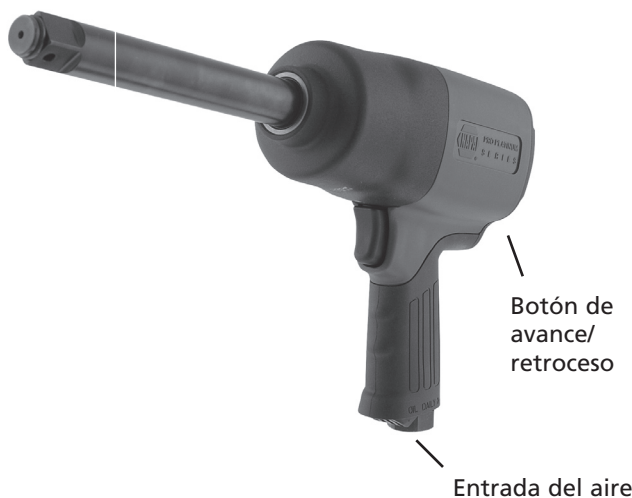
La palanca de avance y retroceso Ilustración 1 (A) se utiliza para cambiar la dirección de rotación de la herramienta. Cuando se coloque la palanca en la posición de avance (F), la herramienta girará hacia la derecha. Cuando se coloque la palanca en la posición de retroceso (R), la herramienta girará en reversa o hacia la izquierda.

*NOTA: La torsión real sobre una abrazadera está directamente relacionada conjuntamente con la dureza, la velocidad de la herramienta, la condición del casquillo y el tiempo que se dedica a la herramienta para el impacto .*

*Utilice el acoplamiento más simple que sea posible. Cada una de las conexiones absorbe energía y reduce la potencia.*

## ESPECIFICACIONES

Velocidad libre .....	5,750 RPM
Torsión máx. ....	1,080 libras-pie
Capacidad de torsión .....	100-880 libras-pie
Entrada de aire .....	3/8" NPT
Tamaño mín. de manguera .....	1.2" Diám. int.
Consumo promedio de aire....	6.9 CFM
Presión de aire recom.....	90 psig (6.2 bar)
Peso .....	8.8 libras
Longitud .....	14.6"
Nivel sonoro .....	93.1 dBA



REVISE TODAS LAS INFORMACIONES DE ADVERTENCIA, ANTES DE PROCEDER CON EL FUNCIONAMIENTO.  
CONSERVE ESTE MANUAL PARA TENER UNA REFERENCIA EVENTUAL.

# PROBLEMAS Y SOLUCIONES

## **LA HERRAMIENTA NO FUNCIONA O CORRE LENTEMENTE Y/O EL AIRE FLUYE SÓLO LIGERAMENTE DEL ESCAPE**

— Probablemente se haya ocasionado esta condición por insuficiente presión de aire, algunos contaminantes bloqueando el flujo de aire o la operación de las piezas del motor, o por un regulador de potencia el cual haya vibrado hasta una posición cerrada.

**USTED DEBE:** revisar el suministro de aire por presión suficiente. Revise la rejilla de la admisión de aire por cualquier bloqueo. Eche una cantidad generosa de aceite para herramientas neumáticas en la entrada de admisión de aire. Opere la herramienta in arranques cortos, en ambas direcciones hacia adelante y en reversa. Si es necesario, repita los pasos. Si no se nota ninguna mejora en cuanto al rendimiento de la herramienta, entonces ésta debe recibir mantenimiento por parte de un centro de servicio autorizado.

**LA HERRAMIENTA NO FUNCIONA, EL ESCAPE FLUYE LIBREMENTE.** Probablemente se ha ocasionado esta condición probablemente porque se haya atascado en lodo o barniz acumulado una ó más de las aletas del motor; o por la corrosión del motor.

**USTED DEBE:** echar una cantidad generosa de aceite para herramientas neumáticas en la admisión de aire. Opere la herramienta en arranques cortos en ambos sentidos, hacia adelante y hacia atrás. Pegue ligeramente la carcasa del motor con un martillo de plástico. Desconecte el suministro de aire. Intente librar el motor al girar el eje motor manualmente, si es posible. Si la herramienta permanece atascada, ésta debe recibir mantenimiento por parte de un centro de servicio autorizado.

**LOS CASQUILLOS NO SE QUEDARÁN SUJETADOS EN LUGAR.** Probablemente se ha ocasionado esta condición por un anillo sujetador desgastado del casquillo o por un anillo de reserva blando. Usted debe: llevar gafas de seguridad. Desconecte el suministro de aire. Usando las pinzas del anillo sujetador externo, quite el anillo sujetador viejo. Al sostener la manivela cuadrada con una

llave adecuada, use un destornillador pequeño para quitar el anillo sujetador viejo de su ranura. Siempre haga palanca con el anillo lejos de su cuerpo, ya que éste puede ser proyectado hacia al exterior a una alta velocidad. Reponga el anillo de reserva y el anillo sujetador con las partes nuevas adecuadas. (Ver desglose). Coloque el anillo sujetador en la mesa y presione al yunque de la herramienta en el anillo con un movimiento mecedor. Con la mano, cierre el anillo con un golpe en la ranura.

**DESGASTE PREMATURO DEL YUNQUE.** Probablemente fue ocasionado por el uso de casquillos al cromo desgastados, los cuales no fueron diseñados para usarse con las herramientas de impacto, o por unos casquillos desgastados.

**USTED DEBE:** dejar de usar los casquillos al cromo. Los casquillos al cromo tienen una superficie exterior dura y un centro blando, el cual se conlleva a un agujero de propulsión abarquillado pero muy duro, al usarse con las herramientas de impacto. Los casquillos al cromo rápidamente desgastarán a los yunques de llave y presentan un peligro de rajadura o rotura los cuales pueden conllevarse a las lesiones o a la muerte.

## **LA HERRAMIENTA PIERDE POTENCIA POCO A POCO SIN EMBARGO CORRE A TODA VELOCIDAD CUANDO NO CUENTA CON UNA CARGA.**

Probablemente se ha ocasionado esta condición por partes desgastadas del embrague, lubricación inadecuada o un disco de levas desgastado.

**USTED DEBE:** PARA LAS LLAVES LUBRICADAS CON BASE DE ACEITE: Revisar por la presencia de aceite de embrague (donde se especifica aceite para embrague) y quitar el tapón de relleno de aceite. Inclínela para vaciar todo el aceite de la carcasa del embrague. Rellene la carcasa con aceite NAPA para herramientas neumáticas o con el aceite recomendado por el fabricante y en la cantidad especificada. También revise por aceite del embrague en exceso. Se tienen que llenar las carcasas del embrague hasta un 50% y el sobre-relleno puede causar una

frotación en las partes de alta velocidad del embrague. Una llave 1/2" típica lubricada con aceite requiere sólo una 1/2 onza de aceite para embragues. **PARA LLAVES LUBRICADAS CON GRASA:** Revisar por grasa excesiva al girar el eje motor con la mano. Este debe girar libremente y la grasa excesiva normalmente se expulsa automáticamente.

**LA HERRAMIENTA NO SE APAGARÁ.** Esta condición probablemente se ha ocasionado por un anillo O roto o mal alineado de la válvula de admisión de combustible, o por un huso de la válvula de admisión de combustible torcido o atascado.

**USTED DEBE:** quitar el ensamblaje de la válvula estranguladora e instalar un nuevo anillo- O. Lubrique el ensamblaje con aceite para herramientas neumáticas y opere el gatillo rápidamente. Si no se puede restaurar la operación, entonces ésta debe recibir mantenimiento por parte de un centro de servicio autorizado.

## **TRINQUETES NEUMÁTICAS**

### **EL MOTOR CORRE. EL HUSO NO GIRA, O GIRA ERRÁTICAMENTE**

— Probablemente se ha ocasionado esta condición por unos dientes desgastados del trinquete o uña, un resorte de presión de la uña débil, o resortes de arrastre débiles los cuales dejan de mantener al huso mientras se avanza la uña.

**USTED DEBE:** hacer que las partes de reposición se instalen por un centro de servicio autorizado.

### **LA HERRAMIENTA NO OPERA, LA CABEZA DEL TRINQUETE SE PEGA FIRMEMENTE CON LA MANO**

— Probablemente se ha ocasionado esta condición por la acumulación de tierra o lodo en las piezas del motor.

**USTED DEBE:** echar una cantidad generosa de aceite para herramientas neumáticas en la admisión de entrada de aire. Opere la válvula estranguladora en arranques cortos. Con la herramienta pegado en un tornillo, apriete alternamente y afloje el tornillo con la mano. Si la

# PROBLEMAS Y SOLUCIONES

herramienta sigue atascada, ésta debe recibir mantenimiento por parte de un centro de servicio autorizado.

## PERFORADORAS NEUMÁTICAS

**LA HERRAMIENTA NO FUNCIONA, CORRE LENTEMENTE, EL AIRE FLUYE LIGERAMENTE DEL ESCAPE, EL HUSO GIRA LIBREMENTE** — Esta condición probablemente se haya causado por un pasaje de aire bloqueado o piezas atascadas del motor.

**USTED DEBE:** revisar la entrada de admisión de aire por cualquier bloqueo. Eche una cantidad generosa de aceite para herramientas neumáticas en la entrada de admisión de aire. Opere el gatillo en arranques cortos. Desconecte el suministro de aire. Con la mano, voltee la porta-brocas vacía y cerrada. Reconecte el suministro de aire. Si no hay una mejora en el rendimiento de la herramienta, ésta debe recibir mantenimiento por parte de un centro autorizado de servicio.

**LA HERRAMIENTA NO FUNCIONA. EL AIRE FLUYE LIBREMENTE DEL ESCAPE. EL HUSO GIRA LIBREMENTE.** Probablemente se haya ocasionado esta condición por una aleta rota del motor o por un engranaje atascado o roto.

**USTED DEBE:** echar una cantidad generosa de aceite para herramientas

neumáticas en la entrada de admisión de aire. Opere el gatillo en arranques cortos. Desconecte el suministro de aire. Con la mano, voltee la porta-brocas vacía y cerrada. Reconecte el suministro de aire. Si no hay una mejora en el rendimiento de la herramienta, ésta debe recibir mantenimiento por parte de un centro autorizado de servicio.

**DETENIMIENTO DE LA HERRAMIENTA. EL HUSO NO GIRARÁ** — Probablemente se haya ocasionado esta condición por una aleta rota del motor o por un engranaje atascado o roto.

**USTED DEBE:** llevar la herramienta a un centro autorizado de servicio para que se le haga el mantenimiento.

**LA HERRAMIENTA NO SE APAGARÁ** — El anillo-O de la válvula de admisión de combustible probablemente se haya desenchajada.

**USTED DEBE:** reemplazar el anillo-O (ver desglose) o llevar la herramienta a un centro autorizado de servicio para que se lleve a cabo el mantenimiento de ella.

## MARTILLOS PNEUMÁTICOS

**LA HERRAMIENTA NO SE ENCENDERÁ.** — Esta condición probablemente se haya ocasionado por una válvula circulante obstruida o una válvula estranguladora.

**USTED DEBE:** revisar la ventila de admisión de aire por cualquier bloqueo. Eche una cantidad generosa de aceite para herramientas neumáticas en la entrada de admisión de aire. Opere el gatillo en arranques cortos con el cincel en su lugar y contra una superficie sólida. Desconecte el suministro de aire. Pegue ligeramente la nariz o el cilindro con un martillo de plástico, reconecte el suministro de aire y repita los pasos anteriores. Si la herramienta sigue detenida, inserte un palo de 6" de largo y de 1/8" en diámetro en la boquilla y pégalo ligeramente para soltar el pistón en el sentido trasero. Reconecte el suministro de aire y repita los pasos anteriores.

**CINCEL ENCASQUILLADO EN LA BOQUILLA**— Probablemente se haya ocasionado esta condición por un espiga deformada.

**USTED DEBE:** llevar la herramienta a un centro autorizado de servicio para que se le haga el mantenimiento.

**NOTA:** EL DESENSAMBLAJE DE ESTA HERRAMIENTA POR CUALQUIER CENTRO NO AUTORIZADO ANULARÁ LA GARANTÍA DE ESTA HERRAMIENTA.

**POLÍTICA DE GARANTÍA:** Esta herramienta Neumática Profesional de NAPA, 6-1075, cuenta con una garantía por un período de un (1) año después de la fecha original de compra contra defectos en cuestión material y mano de obra.

Nosotros repondremos cualquier parte o unidad la cual demuestra ser defectuosa en cuestión material o mano de obra durante este período de un año. En caso indebido que se requiera reponer alguna unidad durante dicho período de un año, devuelva la unidad a su tienda local de Refacciones Automotrices de NAPA para se la reponga gratuitamente. Esta garantía no cubre los daños incurridos a las herramientas por alteraciones, abuso, uso indebido y no cubre las reparaciones hechas por ningún otro centro que no sea un Centro de Garantía de NAPA PROFESSIONAL AIR TOOLS. Si se requiere mantenimiento después de que se venza la garantía limitada de un año, devuelva las herramientas a cualquier Centros de Servicio de Herramientas Neumáticas Profesionales de NAPA, con flete prepagado. Asegúrese de incluir su nombre, dirección y número telefónico con cada herramienta.

# ! AVERTISSEMENT

## LE MANQUE D'OBSERVER CES AVERTISSEMENTS POURRAIT RE SULT DANS INJURY

CE GUIDE D'UTILISATION RENFERME D'IMPORTANTES CONSIGNES DE SÉCURITÉ.



LISEZ CE GUIDE D'UTILISATION ATTENTIVEMENT ET ASSUREZ-VOUS D'AVOIR BIEN COMPRIS

TOUTES LES DIRECTIVES AVANT D'UTILISER CET OUTIL.

- Veuillez toujours utiliser, inspecter et entretenir cet outil conformément au code de sécurité ANSI sur les outils pneumatiques portatifs (ANSI B186.1) et à tout autre loi ou règlement relatif à la sécurité.

- Pour assurer un fonctionnement sécuritaire, un rendement optimal et la durabilité des pièces, utilisez une pression d'air maximale de 90 lb/po<sup>2</sup>, 6,2 bar et un boyau d'un diamètre de 1/2 po.



- Portez toujours de l'équipement de protection des yeux et du visage résistant aux chocs quand vous utilisez cet outil ou en faites l'entretien.



- Les niveaux sonores élevés peuvent provoquer une perte auditive permanente. Portez toujours l'équipement de protection auditive recommandé par votre employeur et les règlements de l'OSHA quand vous utilisez cet outil.



- Conservez cet outil en bon état de marche.
- Les personnes qui utilisent ou entretiennent cet outil être capables de le manipuler compte tenu de sa grosseur, de son poids et de sa puissance.

- L'air comprimé peut causer de graves blessures. Évitez de diriger le jet d'air vers vous ou vers d'autres personnes. Avant d'installer, de retirer ou d'ajuster une pièce ou un accessoire,



ou de faire l'entretien de l'outil, assurez-vous de toujours fermer la source d'alimentation en air, de purger l'air du boyau et de débrancher l'outil de sa source d'alimentation. Une négligence sur ce plan pourrait causer des blessures. Les tuyaux souples peuvent causer de graves blessures.



Vérifiez toujours les boyaux et les raccords et remplacez-les s'ils sont endommagés, fissurés ou lâches. Évitez d'utiliser un outil endommagé ou usé. Évitez d'utiliser des raccords rapides avec cet outil. Pour installer correctement l'outil, consulter les directives.

- Les outils pneumatiques peuvent vibrer pendant l'utilisation. Une exposition prolongée aux vibrations, les mouvements répétitifs, ou une posture inconfortable lors de l'utilisation peuvent être nuisibles pour vos mains et vos bras. Arrêtez d'utiliser l'outil en cas d'inconfort ou si vous ressentez des picotements ou de la douleur. Consultez un médecin avant de recommencer à utiliser l'outil.



- Positionnez bien l'outil avant de le mettre en marche. Ne pointez jamais l'outil sur quelqu'un. Évitez toute chamaillerie quand vous avez l'outil en main.

- Une glissade, un trébuchage et/ou une chute lors de l'utilisation d'outils pneumatiques peut causer de sérieuses blessures ou la mort. Prenez garde aux boyaux qui traînent par terre dans l'aire de travail.



- Votre posture doit être stable. Évitez de travailler à bout de bras.
- Calculez vos mouvements et prenez garde aux changements brusques de position quand vous utilisez un outil électrique.
- Ne tenez pas l'outil par le boyau d'alimentation. Protégez le boyau des objets tranchants et de la chaleur.

- La tige de l'outil peut continuer à tourner brièvement après le relâchement de la détente. Évitez tout contact direct avec les accessoires pendant ou après l'utilisation. Le port de gants réduit les risques de coupures ou de brûlures.



- Prenez garde à la pointe de l'outil quand elle tourne. Ne portez pas de bijoux ni de vêtements amples. Les cheveux longs doivent demeurer hors de portée de l'outil et de ses accessoires pour éviter tout scalp accidentel. Tenez les cravates et les colliers hors de portée de l'outil, car ils présentent un risque de suffocation.

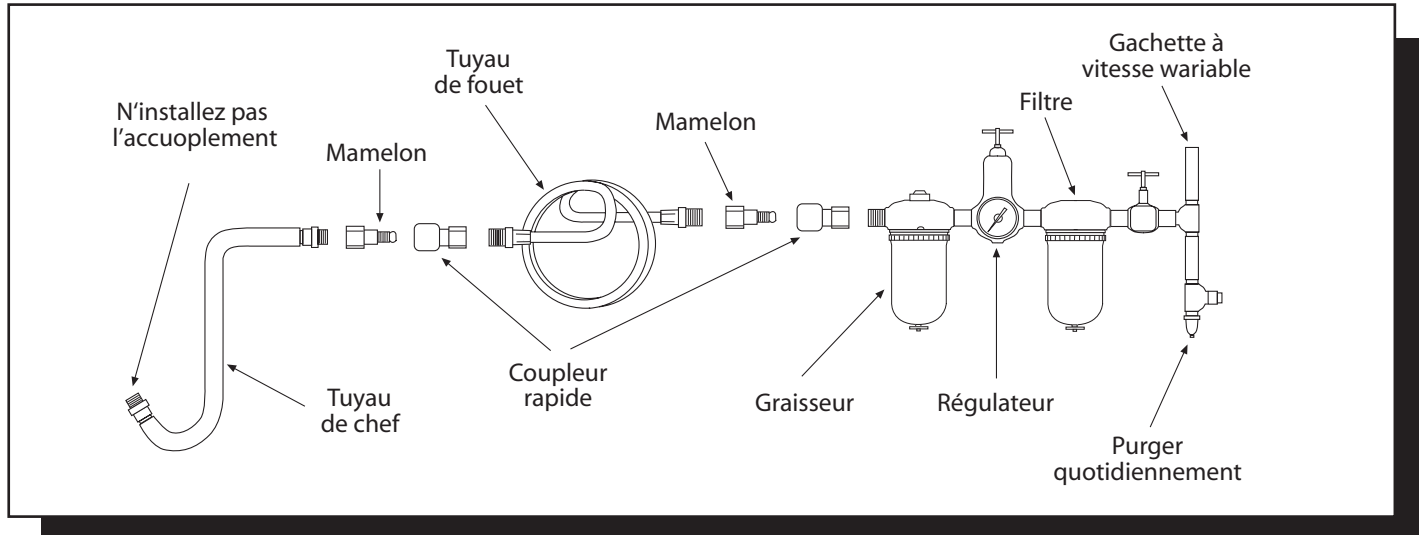


- Ne pas lubrifier les outils avec des liquides inflammables ou volatils comme le kérosène, le diesel ou le carburant d'avion.
- Les clés à chocs ne sont pas des régulateurs de couple de serrage. Lorsque vous utilisez une clé à chocs pour boulonner un élément requérant un couple précis, vérifiez ce dernier à l'aide d'un dispositif de mesure de couple.
- Utilisez seulement des douilles et des accessoires de clés à chocs avec cet outil. Évitez d'utiliser des douilles et des accessoires de clés à main, car cela pourrait les abîmer, endommager l'équipement ou vous causer des blessures.
- Évitez de forcer l'outil en l'utilisant au-delà de sa puissance nominale.
- N'enlevez aucune étiquette. Remplacez toute étiquette abîmée.
- Utilisez les accessoires recommandés par NAPA Outils pneumatiques professionnels.

VEUILLEZ LIRE TOUS LES AVERTISSEMENTS AVANT D'UTILISER L'OUTIL. CONSERVEZ CE GUIDE POUR CONSULTATION ULTÉRIEURE



# SOURCE D'ALIMENTATION EN AIR



Les outils de cette catégorie fonctionnent avec un large éventail de pressions d'air. Nous recommandons une pression d'air à l'entrée de 90 lb/po<sup>2</sup>. Une faible pression (moins de 90 lb/po<sup>2</sup> ou de 6,2 bar) réduit la vitesse et le rendement de tous les outils pneumatiques. Une pression élevée (plus de 115 lb/po<sup>2</sup> ou 8,0 bar) excédant la puissance nominale de l'outil raccourcit sa durée de vie et peut causer des blessures.

Utilisez toujours de l'air comprimé propre et sec.

La présence de poussière, de vapeurs corrosives et/ou d'eau dans la conduite d'air peut endommager l'outil. Videz le réservoir d'air



comprimé tous les jours. Nettoyez le filtre de l'entrée d'air au moins une fois par semaine.

La source d'alimentation en air est raccordée à une entrée d'air ayant un filetage normalisé NPT de 3/8 po. Il faut augmenter la pression dans la conduite d'air dans le cas de boyaux à air exceptionnellement longs (plus de 25 pieds). Le diamètre intérieur minimal du boyau doit être de 1/2 po. Les raccords doivent avoir le même diamètre intérieur et être serrés solidement.

## LUBRICATION

Lubrifiez le moteur pneumatique chaque jour avec de l'huile à outil pneumatique NAPA. Si vous n'utilisez pas de burette à conduite d'air, injectez

1/2 oz d'huile dans l'outil. Vous pouvez injecter l'huile dans l'entrée d'air de l'outil ou dans le boyau par l'entremise du raccord le plus près de la source

d'alimentation en air. Ensuite, faites fonctionner l'outil. Un excès d'huile réduira la puissance de l'outil.

**VEUILLEZ LIRE TOUS LES AVERTISSEMENTS AVANT D'UTILISER L'OUTIL.  
CONSERVEZ CE GUIDE POUR CONSULTATION ULTÉRIEURE**

# UTILISATION

Le bouton du régulateur d'air comprimé peut servir d'étrangleur s'il n'y a pas d'autre moyen de régler le débit d'air. Tournez le bouton du régulateur d'air à la position la plus élevée pour obtenir une puissance maximale.

Le régulateur d'air peut être utilisé pour régler le couple à un niveau à peu près équivalent à celui que nécessite une pièce de fixation d'usage courant.

Pour régler l'outil au couple de serrage désiré, prenez un écrou ou une vis dont le couple est connu et dont la taille, le pas et l'état de filetage sont identiques à ceux des vis ou écrous utilisés pour le travail à effectuer. Réglez le régulateur d'air comprimé à la pression la plus faible, placez la clé sur l'écrou et augmentez graduellement la pression (tournez le bouton du régulateur pour laisser pénétrer plus d'air) jusqu'à ce que l'écrou tourne lentement dans le sens du serrage. L'outil est maintenant réglé pour reproduire le couple de serrage désiré. Notez le niveau du régulateur pour usage futur. Lorsque vous serrez un écrou qui

ne requiert pas un couple de serrage précis, serrez-le jusqu'à ce qu'il soit bien en place, puis faites-lui faire un quart à un demi-tour supplémentaire (un peu plus si le joint d'étanchéité est aplati). Pour un travail de démontage requérant plus de puissance, tournez le régulateur à la position de pleine ouverture. Cette clé à chocs est calibrée pour les boulons à filets USS de 3/4 po. L'outil doit être ajusté dans le cas de boulons de ressort en U, de boulons d'ancrage, de longues vis d'assemblage, d'écrous double longueur, de pièces de fixation à ressort ou d'écrous très rouillés, car ceux-ci absorbent la plus grande partie de la force d'impact. Dans la mesure du possible, coincer ou caler le boulon pour éviter qu'il ne reprenne sa position initiale.

Imbibez les écrous rouillés d'huile pénétrante et rompez le sceau de rouille avant de les déposer avec une clé à chocs. Si un écrou ne commence pas à bouger après trois à cinq secondes, utilisez une clé à chocs de plus grande dimension. Évitez d'utiliser une clé à chocs au-delà de sa puissance

nominale, car cela réduit beaucoup sa durée de vie.

Le sélecteur de marche avant-arrière sert à modifier le sens de rotation de l'outil. Quand le sélecteur est poussé vers la droite, l'outil est en mode de rotation avant, c'est-à-dire dans le sens des aiguilles d'une montre. Quand le sélecteur est poussé vers la gauche, l'outil est en mode de rotation inverse, c'est-à-dire dans le sens contraire des aiguilles d'une montre.

**REMARQUE :** Le couple requis pour une pièce de fixation est directement lié à la rigidité du joint, à la vitesse de rotation de l'outil, à l'état de la douille et à la cadence d'impact de l'outil.

Entre l'outil et la douille, utilisez l'adaptateur le plus simple possible. En effet, chaque raccordement absorbe sa part d'énergie et réduit la puissance de l'outil.

## SPÉCIFICATIONS

Vitesse max. en régime libre.....	5 750 tr/min
Couple max.....	1 080 lb/pi
Couple résistant .....	100-880 lb/pi
Entrée d'air .....	NPT 3/8 po
Taille min. du boyau ...D.I. de	1/2 po
Cons. moyenne d'air ....	6,92 pi <sup>3</sup> /min
Pression max. recom. ....	90 lb/po <sup>2</sup> (6,2 bar)
Poids.....	8.8 lb
Longueur .....	14,6 po
Niveau sonore .....	93.1 dBA



**VEUILLEZ LIRE TOUS LES AVERTISSEMENTS AVANT D'UTILISER L'OUTIL.  
CONSERVEZ CE GUIDE POUR CONSULTATION ULTÉRIEURE**

# DÉPANNAGE

## **LA CLÉ À CHOCS NE FONCTIONNE PAS OU FONCTIONNE À FAIBLE RÉGIME SEULEMENT, ET/OU GÉNÈRE UN FAIBLE DÉBIT D'AIR LA SORTIE D'AIR**

— Ce problème est probablement causé par une pression d'air insuffisante, par la présence de contaminants qui obstruent le passage de l'air ou nuisent au fonctionnement de pièces du moteur ou par des vibrations qui ont entraîné le retour accidentel de l'interrupteur à la position d'arrêt.

**CONSEIL :** Vérifiez si la pression produite par la source d'alimentation en air est suffisante. Vérifiez si le filtre de l'entrée d'air est obstrué. Injectez une généreuse dose d'huile à outil pneumatique dans l'entrée d'air. Faites fonctionner l'outil par saccades, en marche avant et arrière. Répétez l'opération au besoin. Si l'outil ne fonctionne pas mieux, faites-le réparer par un centre de réparation autorisé.

## **L'OUTIL NE FONCTIONNE PAS, MALGRÉ UN DÉBIT D'AIR RÉGULIER À LA SORTIE D'AIR.**

Ce problème est probablement causé par le blocage d'une ou plusieurs palettes du moteur résultant d'une accumulation de boue ou de vernis, ou encore par la présence de rouille dans le moteur.

**CONSEIL :** Injectez une généreuse dose d'huile à outil pneumatique dans l'entrée d'air. Faites fonctionner l'outil par saccades, en marche avant et arrière. Tapez doucement sur le boîtier du moteur avec un maillet en plastique. Débranchez la source d'alimentation en air. Essayez de débloquer le moteur en faisant tourner l'arbre d'entraînement à la main, si possible. Si l'outil demeure enrayé, faites-le réparer par un centre de réparation autorisé.

## **LES DOUILLES NE DEMEURENT PAS EN PLACE.**

Ce problème

est probablement causé par une bague de retenue usée ou par un joint torique ramolli.

**CONSEIL :** Portez des lunettes de sécurité. Débranchez la source d'alimentation en air. À l'aide d'une pince pour, enlevez la bague de retenue usée. En retenant la prise carrée avec la clé appropriée, utilisez un petit tournevis pour déloger la bague de retenue. Évitez de diriger ce mouvement vers vous, car la bague peut être éjectée à grande vitesse. Installez un joint torique et une bague de retenue de rechange (voir le schéma). Posez la bague de retenue sur l'établi et pressez-la avec le mandrin de l'outil en effectuant un mouvement de balancier. Avec votre main, fixez la bague dans la rainure.

**USURE PRÉMATURÉE DU MANDRIN.** Ce problème est probablement causé par l'utilisation de porte-douilles en chrome, qui ne sont pas conçus pour être utilisés avec la clé à chocs, ou de porte-douilles usés.

**CONSEIL :** Cessez d'utiliser des douilles en chrome, car celles-ci ont une surface externe rigide et une structure interne souple. L'action d'un outil à chocs muni d'une telle douille endommage la prise et rend le serrage difficile. Les douilles en chrome endommagent rapidement le mandrin des clés, qui peut se détacher et se briser et causer aussi des blessures ou la mort.

**L'OUTIL PERD PROGRESSIVEMENT SA PUISSANCE MAIS CONTINUE À TOURNER À PLEIN RÉGIME QUAND IL TOURNE À VIDE.** Ce problème est probablement causé par des pièces d'embrayage usées, une lubrification inadéquate ou une came usée.

**CONSEIL** — **CLÉS LUBRIFIÉES AVEC DE L'HUILE :** Vérifiez la présence d'huile à embrayage (là où il

est spécifié d'utiliser de l'huile pour l'embrayage) et enlevez le bouchon de remplissage d'huile. Inclinez le boîtier pour vider toute l'huile qu'il contient. Remplissez le boîtier avec de l'huile pour outils pneumatiques NAPA ou avec l'huile recommandée par le fabricant, selon la quantité spécifiée. Vérifiez également s'il y a un surplus d'huile à embrayage. Les boîtiers doivent être remplis à mi-capacité. Un remplissage excessif peut gêner le fonctionnement des pièces d'embrayage à haut régime. Une clé typique à prise de 1/2 po lubrifiée à l'huile nécessite seulement 1/2 once d'huile à embrayage. **CLÉS LUBRIFIÉS AVEC DE LA GRAISSE :** Vérifiez s'il y a un surplus de graisse en faisant tourner l'arbre d'entraînement à la main. Ce dernier devrait tourner librement, et normalement le surplus de graisse devrait s'écouler de lui-même.

**L'OUTIL N'ARRÊTE PAS DE FONCTIONNER.** Ce problème est probablement causé par le bris ou le désalignement du joint torique de la vanne-papillon, ou par le gauchissement ou le coincement de la tige de la vanne-papillon.

**CONSEIL :** Enlevez la vanne-papillon et installez un nouveau joint torique. Lubrifiez le tout avec de l'huile à outil pneumatique et appuyez fermement sur la détente. Si l'outil demeure enrayé, faites-le réparer par un centre de réparation autorisé.

## **LE MOTEUR DE LA**

**CLÉ À CLIQUET PNEUMATIQUE FONCTIONNE. CEPENDANT, LA BROCHE NE TOURNE PAS OU TOURNE IRRÉGULIÈREMENT -** Ce problème peut être causé par l'usure des dents de la clé ou du cliquet, par le bris ou la fatigue d'un ressort du cliquet, ou par la fatigue d'un ressort de retenue qui ne peut plus retenir la broche lors du mouvement du cliquet.

# DÉPANNAGE

**CONSEIL :** Faites installer des pièces de rechange par un centre de réparation autorisé.

**L'OUTIL NE FONCTIONNE PAS, LA TÊTE DE LA CLÉ OFFRE UNE RÉSISTANCE SOUS L'ACTION DE LA MAIN** — Ce problème est probablement causé par l'accumulation de saletés ou de boue dans les pièces du moteur.

**CONSEIL :** Injectez une généreuse dose d'huile à outil pneumatique dans l'entrée d'air. Faites fonctionner l'outil par saccades. Engagez l'outil sur un boulon et serrez et desserrez ce dernier tour à tour manuellement. Si l'outil demeure enrayé, faites-le réparer par un centre de réparation autorisé.

**REMARQUE :** LE DÉMONTAGE DE CET OUTIL PAR UNE AUTRE PARTIE QU'UN CENTRE DE RÉPARATION AUTORISÉ AURA POUR EFFET D'ANNULER LA GARANTIE.

## PERCEUSES PNEUMATIQUES

**L'OUTIL NE FONCTIONNE PAS OU FONCTIONNE LENTEMENT, UN FAIBLE DÉBIT D'AIR SORT DE LA SORTIE D'AIR, LA BROCHE TOURNE LIBREMENT** - Ce problème est probablement causé par une obstruction du passage de l'air ou le coincement de pièces de moteur.

**CONSEIL :** Vérifiez si l'entrée d'air n'est pas obstruée. Injectez une généreuse dose d'huile à outil pneumatique dans l'entrée d'air.

## FAITES FONCTIONNER L'OUTIL

**PAR SACCADÉS.** Débranchez la source d'alimentation en air. Avec votre main, faites tourner le mandrin de la perceuse, vide et en position fermée. Rebranchez la source d'alimentation en air. Si l'outil ne fonctionne pas mieux, faites-le réparer par un centre de réparations autorisé.

**L'OUTIL NE FONCTIONNE PAS, MALGRÉ UN DÉBIT D'AIR RÉGULIER À LA SORTIE D'AIR. LA BROCHE TOURNE LIBREMENT.** Ce problème est probablement causé par une palette de moteur brisée ou des engrenages coincés ou brisés.

**CONSEIL :** Injectez une généreuse dose d'huile à outil pneumatique dans l'entrée d'air. Faites fonctionner l'outil par saccades. Débranchez la source d'alimentation en air. Avec votre main, faites tourner le mandrin de la perceuse, vide et en position fermée. Rebranchez la source d'alimentation en air. Si l'outil ne fonctionne pas mieux, faites-le réparer par un centre de réparations autorisé.

**OUTIL COINCÉ. LA BROCHE NE TOURNE PAS** — Ce problème est probablement causé par une palette de moteur brisée ou des engrenages coincés ou brisés.

**CONSEIL :** Faites réparer l'outil par un centre de réparations autorisé.

**L'OUTIL N'ARRÊTE PAS DE FONCTIONNER** — Le joint torique de la vanne-papillon est

probablement désaligné.

**CONSEIL :** Remplacez le joint torique (voir le schéma) ou faites réparer l'outil par un centre de réparation autorisé.

## MARTEAUX PNEUMATIQUES

**L'OUTIL NE FONCTIONNE PAS** Ce problème est probablement causé par l'obstruction de la vanne à fonctionnement cyclique ou de la vanne-papillon.

**CONSEIL :** Vérifiez si l'entrée d'air n'est pas obstruée. Injectez une généreuse dose d'huile à outil pneumatique dans l'entrée d'air. Faites fonctionner l'outil par saccades avec le burin en place et contre une surface solide. Débranchez la source d'alimentation en air. Tapez doucement sur le nez ou sur le corps de l'outil avec un maillet en plastique, rebranchez la source d'alimentation en air et répétez les étapes ci-dessus. Si l'outil est toujours enrayé, insérez une tige de 6 po de longueur et de 1/8 po de diamètre dans l'embout et tapez légèrement dessus pour ramener le piston en mode de marche arrière. Rebranchez la source d'alimentation en air et répétez les étapes ci-dessus.

## BURIN COINCÉ DANS L'EMBOUT

Ce problème est probablement causé par la déformation d'une tige.

**CONSEIL :** Faites réparer l'outil par un centre de réparation autorisé.

### POLITIQUE DE GARANTIE :

Cet outil pneumatique professionnel NAPA 6-1071 est garanti contre les défauts de matériaux et de fabrication pour une période de un (1) an suivant la date d'achat du produit. Nous remplacerons toute pièce ou unité présentant un défaut matériel ou de fabrication durant cette période d'un an. S'il arrivait exceptionnellement que l'unité doive être remplacée durant cette période d'un an, retournez-la au magasin NAPA Pièces d'auto de votre région et elle vous sera remplacée gratuitement. La présente garantie ne couvre aucun dommage

aux outils résultant d'une modification, d'un usage abusif ou d'un mauvais usage et ne couvre aucune réparation faite par une partie autre qu'un centre de réparation NAPA OUTILS PNEUMATIQUES PROFESSIONNELS autorisé.

Si une réparation s'avère nécessaire au-delà de la période de garantie limitée d'un an, retournez l'outil à un centre de réparation NAPA Outils pneumatiques professionnels autorisé, sans oublier d'acquiescer d'avance les frais de transport. Assurez-vous d'inclure votre nom, votre adresse et votre numéro de téléphone dans chaque envoi.

**VEUILLEZ LIRE TOUS LES AVERTISSEMENTS AVANT D'UTILISER L'OUTIL.  
CONSERVEZ CE GUIDE POUR CONSULTATION ULTÉRIEURE**