



## 6613A

### 2 Ton Capacity Low Profile Jack with Quick Lift System

**THIS OPERATING MANUAL CONTAINS IMPORTANT SAFETY INFORMATION. READ CAREFULLY AND UNDERSTAND ALL INFORMATION BEFORE OPERATING TOOL. SAVE THIS MANUAL FOR FUTURE USE.**

#### OWNER/USER RESPONSIBILITY

The owner and/or user must have a thorough understanding of the manufacturer's operating instructions and warnings before using this jack. Personnel involved in the use and operation of equipment shall be careful, competent, trained, and qualified in the safe operation of the equipment and its proper use when servicing motor vehicles and their components. Warning information should be emphasized and understood.

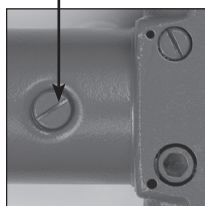
If the operator is not fluent in English, the manufacturer's instructions and warnings shall be read to and discussed with the operator in the operator's native language by the purchaser/owner, making sure that the operator comprehends its contents.

Owner and/or user must study and maintain for future reference the manufacturer's instructions. Owner and/or user is responsible for keeping all warning labels and instruction manuals legible and intact. Replacement labels and literature are available from the manufacturer.

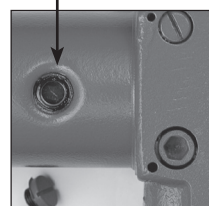
#### IMPORTANT! BEFORE USING THIS JACK:

1. Remove the threaded oil fill screw from the service jack.
2. Replace with threaded breather before use.

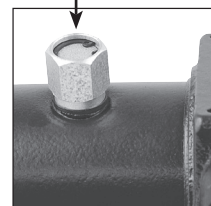
Oil fill screw to be removed



Oil fill hole



Breather installed



#### BEFORE USE

Replace oil fill screw with breather as illustrated on page 1.

Air may become trapped in the hydraulic system during transit. To purge air:

1. Open release valve by turning handle counterclockwise.
2. Pump handle rapidly 4 full strokes. This will expel air that may have entered hydraulic fluid passages during transit.
3. Close release valve by rotating handle clockwise and pump handle.
4. If lift arm raised, jack is ready for use. If not, repeat this procedure.

#### INSPECTION

Visual inspection should be made before each use of the service jack, checking for leaking hydraulic fluid and damaged, loose or missing parts. Each jack must be inspected by a manufacturer's repair facility immediately, if accidentally subjected to an abnormal load or shock. Any jack which appears to be damaged in any way, found to be badly worn, or operates abnormally **MUST BE REMOVED FROM SERVICE** until necessary repairs are made by a manufacturer's authorized repair facility. It is recommended that an annual inspection of the jack be made by a manufacturer's authorized repair facility and that any defective parts, decals or warning labels be replaced with manufacturer's specified parts.

A list of authorized repair facilities is available from the manufacturer.

#### MAINTENANCE

**IMPORTANT:** When adding or replacing hydraulic fluid, always use a quality hydraulic fluid. **DO NOT** use brake fluid, alcohol, glycerine, detergent motor oil, or dirty oil as improper fluid can cause serious internal damage to jack.

To add hydraulic fluid: With saddle fully lowered and jack on level ground, remove filler screw. Hydraulic fluid should be filled to level of hydraulic fluid filler screw hole. If low, add hydraulic fluid as needed.

**Maintenance and Inspection:** The owner and/or user must maintain and inspect the jack in accordance with the manufacturer's instructions.



**! WARNING**

**USE ONLY ON HARD LEVEL SURFACES.**  
**DO NOT GET UNDER A VEHICLE THAT IS ONLY SUPPORTED BY A TROLLEY/SERVICE JACK—USE VEHICLE SUPPORT STANDS.**  
**THIS IS A LIFTING DEVICE ONLY. DO NOT MOVE OR DOLLY THE VEHICLE WHILE ON THE JACK. IMMEDIATELY AFTER LIFTING SUPPORT THE VEHICLE WITH APPROPRIATE MEANS.**  
**DO NOT OVERLOAD. OVERLOADING CAN CAUSE DAMAGE TO OR FAILURE OF THE JACK.**

**LIFT ONLY ON AREAS OF THE VEHICLE AS SPECIFIED BY THE VEHICLE MANUFACTURER.**  
**CENTER LOAD ON SADDLE PRIOR TO LIFTING. OFF-CENTER LOADS MAY CAUSE DAMAGE TO JACK, LOSS OF LOAD, PROPERTY DAMAGE, PERSONAL OR FATAL INJURY.**  
**NO ALTERATIONS TO THE JACK SHALL BE MADE.**  
**READ, STUDY AND UNDERSTAND THE OPERATING MANUAL PACKED WITH THIS JACK BEFORE OPERATING.**  
**FAILURE TO HEED THESE WARNINGS MAY RESULT IN LOSS OF LOAD, DAMAGE TO JACK, AND/OR FAILURE RESULTING IN PROPERTY DAMAGE, PERSONAL OR FATAL INJURY.**





**SUNEX**<sup>®</sup>  
T O O L S

## 6613A

### 2 Ton Capacity Low Profile Jack with Quick Lift System

#### LUBRICATION

All moving joints require lubrication often. Remove handle and grease the lower end of handle where it rotates in the handle socket. Using a grease gun, grease the lift arm pivot shaft grease fitting until grease appears at the end of the shaft. Oil all lift arm linkages, front wheels and rear casters.

#### OPERATING INSTRUCTIONS

**IMPORTANT:** Before attempting to raise a vehicle, check vehicle service manual for recommended lifting surfaces.

1. **To raise load:** Close release valve tightly (by turning handle clockwise). **DO NOT OVERTIGHTEN.** Position jack under load so that saddle will contact load firmly and load is centered so it cannot slip. Operate jack handle until saddle approaches the load. Once again check to see that saddle is correctly positioned. Raise load to desired height. Place jack stands of appropriate capacity under the vehicle. **DO NOT CRAWL UNDER VEHICLE WHILE LIFTING VEHICLE OR PLACING OR REMOVING JACK STANDS!** Place jack stands at vehicle manufacturer's recommended lift areas that provide stable support for the raised vehicle.

2. **To lower load:** Open release valve **VERY SLOWLY** (by turning handle counterclockwise). When release valve is opened, saddle and load will be lowered. Lower the vehicle slowly so as not to shock load the jack stands. Once repairs are completed, raise vehicle enough to remove jack stands. Lower vehicle very slowly.

**CAUTION:** Keep hands or feet away from the hinge mechanism of the jack.

#### SPECIFICATIONS

Capacity . . . . .	2 Ton
Low Lift Height . . . . .	2.9"
Raised Height . . . . .	19.5"
Length . . . . .	28"
Weight . . . . .	108 Lbs.
Chassis Width . . . . .	15"
Diameter Saddle . . . . .	4.75"

#### **LIMITED WARRANTY:**

**SUNEX INTERNATIONAL, INC. WARRANTS TO ITS CUSTOMERS THAT THE COMPANY'S SUNEX TOOLS® BRANDED PRODUCTS ARE FREE FROM DEFECTS IN WORKMANSHIP AND MATERIALS.**

Sunex International, Inc. will repair or replace its Sunex Tools® branded products which fail to give satisfactory service due to defective workmanship or materials, based upon the terms and conditions of the following described warranty plans attributed to that specific product.

This product carries a ONE-YEAR warranty. During this warranty period, Sunex Tools will repair or replace at our option any part or unit which proves to be defective in material or workmanship.

#### **Other important warranty information...**

This warranty does not cover damage to equipment or tools arising from alteration, abuse, misuse, damage and does not cover any repairs or replacement made by anyone other than Sunex Tools or its authorized warranty service centers.

The foregoing obligation is Sunex Tools' sole liability under this or any implied warranty and under no circumstances shall we be liable for any incidental or consequential damages.

**Note:** Some states do not allow the exclusion or limitation of incidental or consequential damages, so the above limitation or exclusion may not apply to you.

Return equipment or parts to Sunex Tools, transportation prepaid. Be certain to include your name and address, evidence of the purchase date, and description of the suspected defect.

If you have any questions about warranty service, please write to Sunex Tools. This warranty gives you specific legal rights and you may also have other rights which vary from state to state.

Repair kits and replacement parts are available for many of Sunex Tools products regardless of whether or not the product is still covered by a warranty plan.

#### **SHIPPING ADDRESS:**

Sunex Tools  
315 Hawkins Rd.  
Travelers Rest, South Carolina 29690

#### **MAILING ADDRESS:**

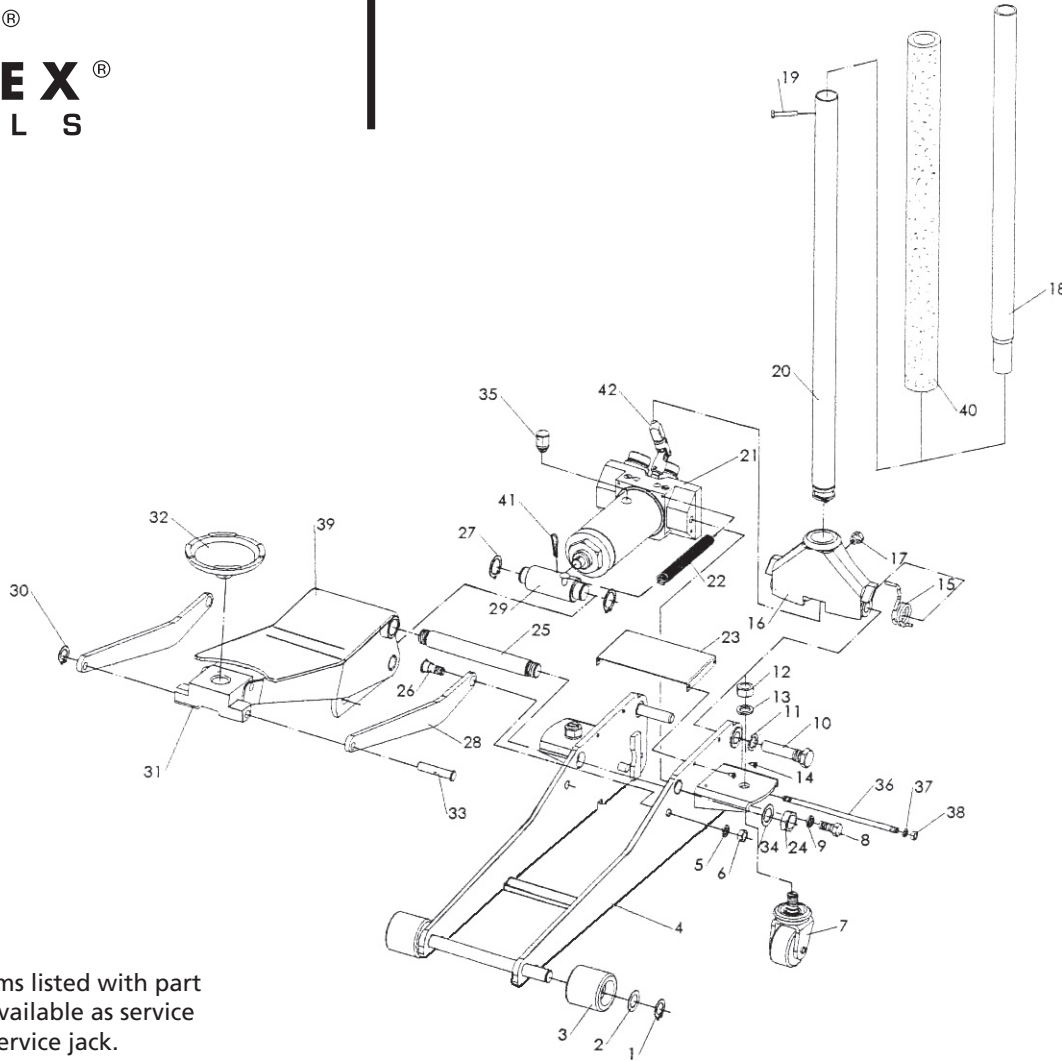
Sunex Tools  
P.O. Box 4215  
Greenville, South Carolina 29608





# 6613A

## 2 Ton Capacity Low Profile Jack with Quick Lift System



Only those items listed with part numbers are available as service parts for this service jack.

Item No.	Part No.	Description	Qty.
1	RS3501	Retaining Ring	2
2		Washer	2
3	RS661303	Wheel	2
4		Side Plate Assembly	1
5		Washer 12	2
6		Hex Nut M12	2
7	RS661307	Caster Assembly	2
8		Hex Bolt M12 x 20	2
9		Spring Washer	2
10		Bolt	2
11		Spring Washer	2
12	RS3511	Nut M16	2
13		Spring Washer 16	2
14		Screws	4
15	RS320215	Torsion Spring	2
16	RS320216R	Handle Socket	1
17	RS3526	Bolt	1
18	RS3536	Handle Upper	1
19	RS3534	Hex Bolt M6 x 35	1
20	RS661320	Handle Lower	1
21	RS320221R	Power Unit Assembly	1
	RS6613A21SK	Seal Kit for Power Unit	

Item No.	Part No.	Description	Qty.
22		Spring	2
23		Inspection Plate	1
24		Hex Nut 24	2
25		Shaft Arm	1
26		Bolt	2
27		Retaining Ring 25	2
28		Long Linkage	2
29		Block Linkage	1
30		Retaining Ring 10	2
31		Saddle Block	1
32	RS661332	Saddle	1
33		Linkage Axle	1
34		Washer 24	2
35	RS35BR	Breathing Screw	1
36		Pull Rod	1
37		Washer 8	2
38		Nut M8	2
39		Lift Arm Assembly	1
40	RS3544	Handle Bumper	1
41		Split Pin 4 x 25	1
42	RS661344	Release Assembly	





## 6613A

### 2 Ton Capacity Low Profile Jack with Quick Lift System

#### TROUBLESHOOTING

##### SYMPTOM

Will not lift load

##### POSSIBLE CAUSE

The release valve is not closed.

##### CORRECTIVE ACTION

Turn the valve clockwise tightly.

Will not lift load  
Will not lift full height

Low on hydraulic fluid.

Refill the jack to the correct level of hydraulic fluid.

Will not lift load

Pump seals and back-up ring are defective.

Clean hydraulic fluid passages, replace seals and renew hydraulic fluid.  
(Must be serviced by qualified service center)

Will not lift full height  
Will not lift smoothly or feels spongy

The hydraulic system is filled with air.

Open the release valve, pump handle rapidly (4) full strokes to purge air, close release valve.

Will not lower completely

Return spring is broken or linkages binding.

Replace spring if broken. Grease pivot shaft, oil all lift arm linkages.

Will not hold load or handle rises

Discharge ball is not sealing hydraulic system and oil may be dirty.

Manually flush hydraulic system by raising and lowering lift arm by hand. Open the release valve, as required to raise and lower the lift arm. Manually raise and lower lift arm.