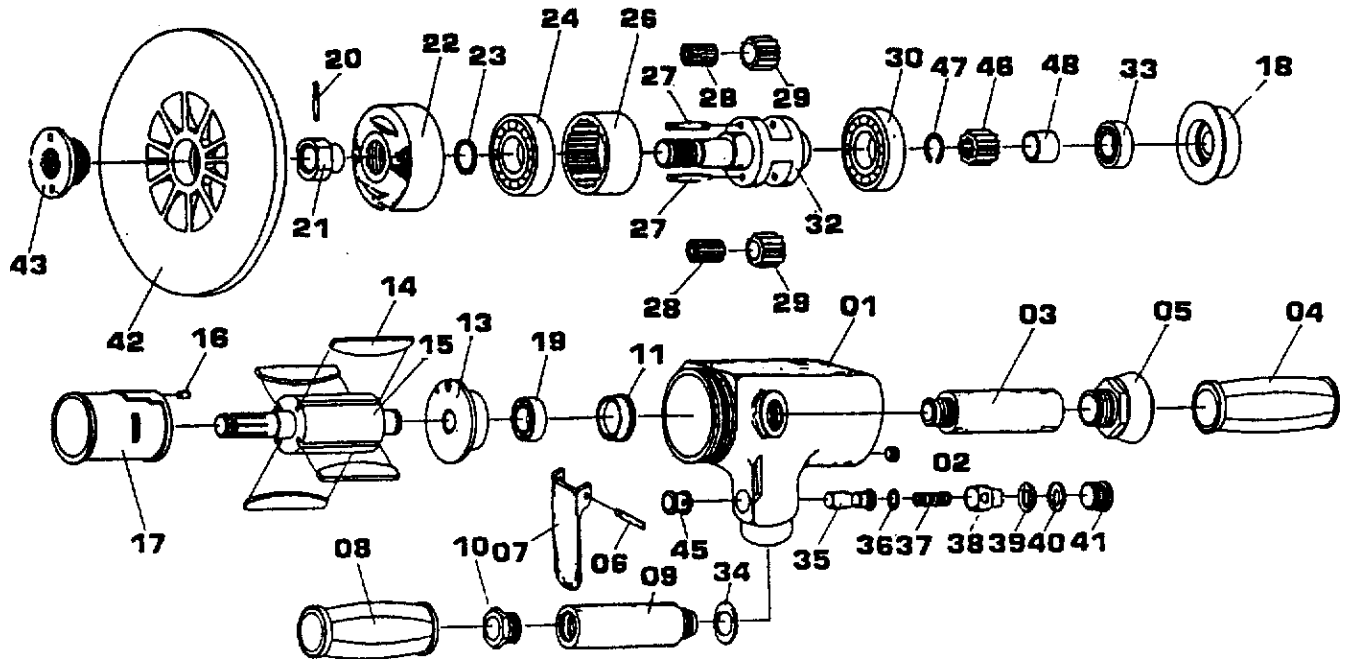


PARTS BREAKDOWN

6-718

7" Vertical Air Sander



REF. NO.	PART NO.	DESCRIPTION	QTY.
01	71801	Motor Housing	1
02	71802	Set Screw	2
03	71803	Exhaust Handle	1
04	71804	Handle Grip (Exhaust)	1
05	71805	Exhaust Deflector	1
06	71806	Spring Pin	1
07	71807	Throttle Lever	1
08	71808	Handle Grip (Inlet)	1
09	71809	Inlet Handle	1
10	71810	Air Inlet Bushing	1
11	71811	Bearing Cap	1
13	71813	Rear End Plate	1
14	71814	Rotor Blade	4
15	71815	Rotor	1
16	71816	Spring Pin	1
17	71817	Cylinder	1
18	71818	Front End Plate	1
19	21417	Ball Bearing	1
20	71820	Spring Pin	1
21	71821	Collar	1
22	71822	Clamp Nut	1
23	71823	Oil Seal (V-Model)	1
24	71824	Ball Bearing	1

REF. NO.	PART NO.	DESCRIPTION	QTY.
26	71826	Internal Gear	1
27	71827	Needle Roller	2
28	71828	Needle Roller	22
29	71829	Planet Gear	2
30	50528	Ball Bearing	1
32	71832	Planet Cage	1
33	10920	Ball Bearing	1
34	71834	O-Ring	1
35	71835	Valve Stem	1
36	71836	O-Ring	1
37	71837	Valve Spring	1
38	71838	Air Regulator	1
39	71839	O-Ring	1
40	71840	O-Ring	1
41	71841	Valve Screw	1
42	71842	Pad	1
43	71843	Pad Nut	1
45	71845	Bushing	1
46	71846	Sun Gear	1
47	71847	External Stop Ring	1
48	71848	Spacer	1
49	71849	Wrench (Not Shown)	1
50	71850	Wrench (Not Shown)	1