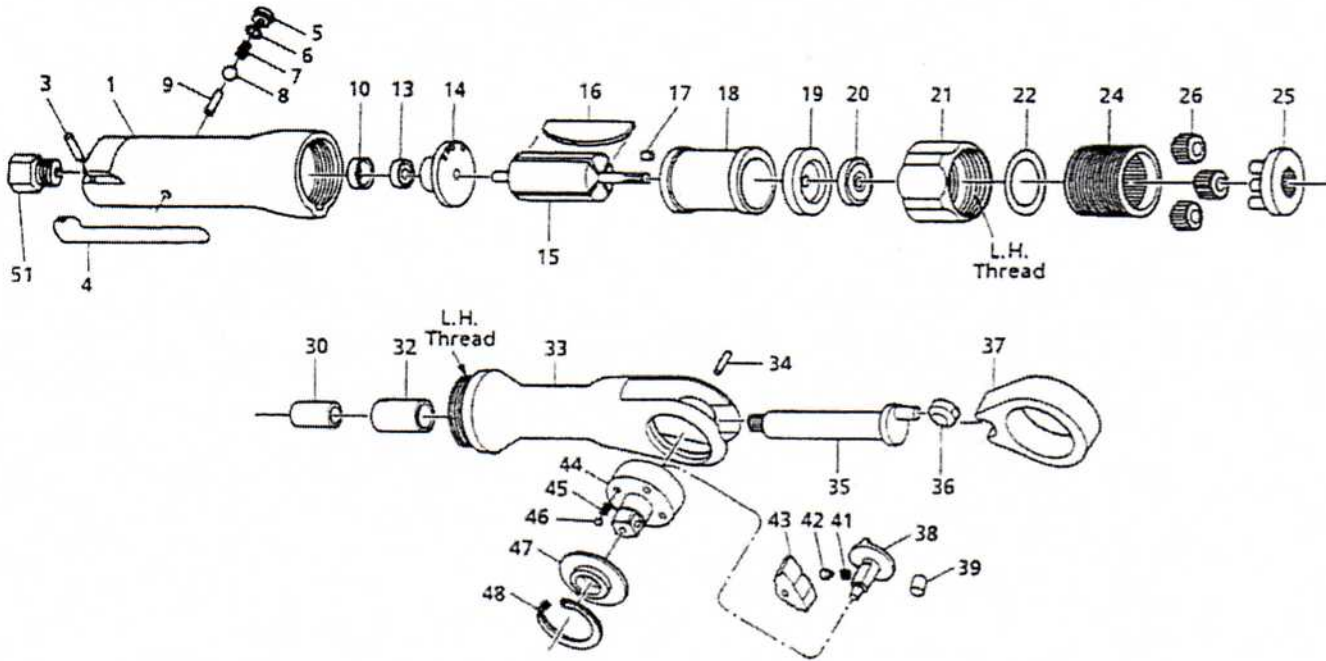


3/8" Drive
Power Air Ratchet

Made in Japan

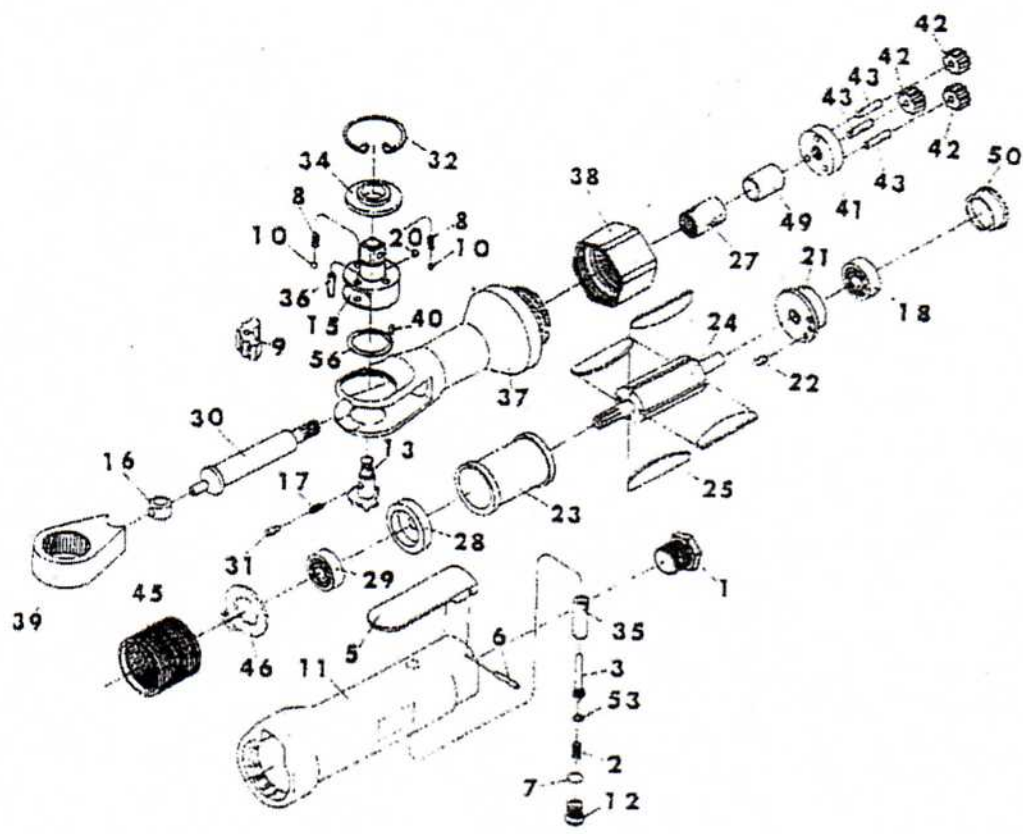


REF. NO.	PART NO.	DESCRIPTION	QTY.
1	732443	Motor Housing	1
3	729167	Lever Pin	1
4	108A09	Throttle Lever	1
5	729173	Valve Screw	1
6	1008680	O-Ring	1
7	729163	Spring	1
8	1015215	Ball	1
9	729164	Plunger	1
10	729178	Bearing Cap	1
13	21114	Ball Bearing	1
14	731033	Rear End Plate	1
15	731034	Rotor	1
16	732445	Rotor Blade	4
17	729182	Dowel Pin	1
18	729183	Cylinder	1
19	731025	Front End Plate	1
20	21417	Ball Bearing	1
21	729199	Clamp Nut	1
22	108A20	Washer	1
24	108A21	Internal Gear	1
25	732446	Idler Gear Plate	1
26	108A22	Idler Gear	3

REF. NO.	PART NO.	DESCRIPTION	QTY.
30	108A26	Bushing	1
32	729186	Needle Bearing	1
33	731040	Ratchet Housing	1
34	729197	Dowel Pin	1
35	731041	Crank Shaft	1
36	108A30	Drive Bushing	1
37	108A31	Yoke	1
*38	731042	Reverse Button	1
*39	731043	Pin	1
*41	729168	Ratchet Spring	1
*42	729190	Lock Pin	1
*43	729170	Ratchet Pawl	1
*44	731044	Ratchet Anvil	1
*45	729175	Spring	2
*46	1004968	Steel Ball	2
*47	729194	Thrust Washer	1
*48	729191	Retaining Ring	1
51	900009	Inlet Bushing w/Screen	1
52	7310888	Black Housing Boot (not shown)	1

* RHK100 Head Kit includes ref. no. 38, 39, 41, 42, 43, 44, 45, 46, 47 & 48 (Only available in Head Kit)

*3/8" Drive
Air Ratchet
Made in Taiwan*



REF. NO.	PART NO.	DESCRIPTION	QTY.
01	72801	Air Inlet Bushing	1
02	72802	Throttle Spring	1
03	72803	Valve Stem	1
05	10904	Throttle Lever	1
06	10903	Spring Pin	1
07	10950	O-Ring	1
08*		Friction Spring	2
09*		Pawl	1
10*		Steel Ball	2
11	72811 N	Throttle Handle	1
12	72812	Throttle Valve Plug	1
13*		Reverse Button	1
15*		Ratchet Anvil	1
16	72816	Drive Bushing	1
17*		Ratchet Spring	1
18	21114	Ball Bearing	1
20*		Steel Ball	1
21	72821	Rear End Plate	1
22	72822	Spring Pin	1
23	72823	Cylinder	1
24	72824	Rotor	1
25	108A16	Rotor Blade	4

REF. NO.	PART NO.	DESCRIPTION	QTY.
27	72827	Needle Bearing	1
28	72828	Front End Plate	1
29	21417	Ball Bearing	1
30	72830	Crank Shaft	1
31*		Spring Cap	1
32*		Internal Stop Ring	1
34*		Thrust Washer	1
35	72835	Throttle Valve	1
36*		Needle Roller	1
37	72837	Ratchet Housing	1
38	72838	Clamp Nut	1
39	108A31	Ratchet Yoke	1
40*		Spring Pin	1
41	72841	Idler Spindle	1
42	72842	Idler Gear	3
43	72843	Needle Roller	3
45	72845	Internal Gear	1
46	72846	Washer	1
49	72849	Bushing	1
50	72850	Bearing Cap	1
53	72853	O-Ring	1
56*		Washer	1

* Available ONLY in Head Kit (#RHK728) which includes Item Nos.:
08, 09, 10, 13, 15, 17, 20, 31, 32, 34, 36, 40 & 56

Rev. 12/1/98

PLEASE REVIEW ALL WARNING INSTRUCTIONS PRIOR TO OPERATION. SAVE THIS MANUAL FOR FUTURE REFERENCE.