

A Available as individual replacement parts.

AA Available only in #3700-95 gasket and seal kit.

NOTE: TO REMOVE 20-214 FLUID NOZZLE, CLAMP THE  
FLUID NOZZLE ADAPTER IN A VISE BEFORE UN-  
SCREWING THE FLUID NOZZLE.



MANUFACTURED FOR BALKAMP, INC.

2601 S. HOLT RD.

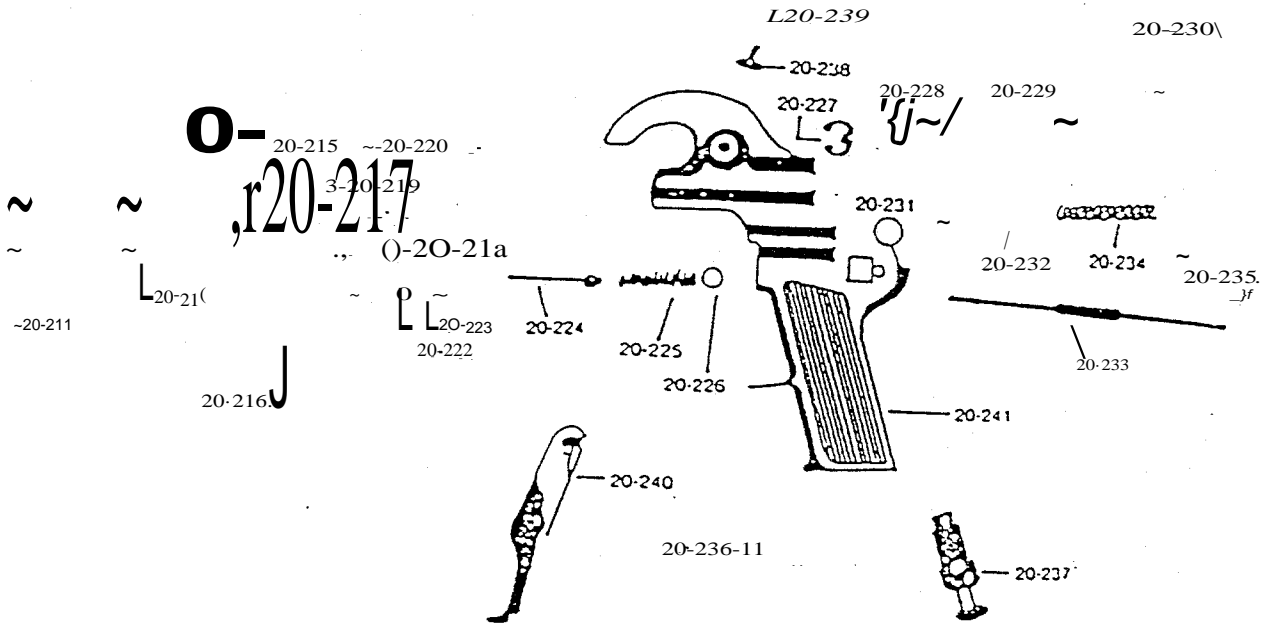
Indianapolis, IN 46241

MADE IN TAIWAN



770-3700

**SX-60**  
Spray Gun



Index No.	Part No.	Description	Qty	Index No.	Part No.	Description	Qty
	20211	Air Cap	1		20240	Trigger	1
	20214	Ruid Nozzle	1		20236	Plug	1
	20215	Gun Head	1		20237	Air Inlet Saew	1
	20216	Tip Gasket	1		20239	Trigger Shaft	1
	20220	Head Attachment Saew	1		20238	Trigger Screw	1
	20219	Head Attachment Gasket	1		20227	Spray Width Control -E- Cup	1
	20217	Ruid Needle Packing	2		20228	Spray Width Control Packing	1
	20218	Ruid Needle Packing Nut	1		20229	Spray Width Control Body	1
	20222	Air Valve Packing	1		20230	Spray Width Control Knob & Valve	1
	20223	Air Valve Body	1		20232	Material Control Bushing	1
	20224	Air Valve	1		20234	Fluid Needle Spring	1
	20225	Air Valve Spring	1		20235	Material Control Knob	1
	20226	Air Valve Body Gasket	1		20233	Fluid Needle Asy.	1
	20241	Gun Handle	1				