



SIPHON CUP BREAKDOWN

770-3701

SIPHON CUP

DESCRIPTION

This One Quart, Teflon lined, Aluminum Siphon Cup is designed to furnish the User with Low Cost efficiency, combined with the convenience of an easy to clean Teflon interior. The easy-to-remove cover saves loading time, and this Siphon Cup may be used on any spray Gun with standard 3/8" NPS Thread.

OPERATION

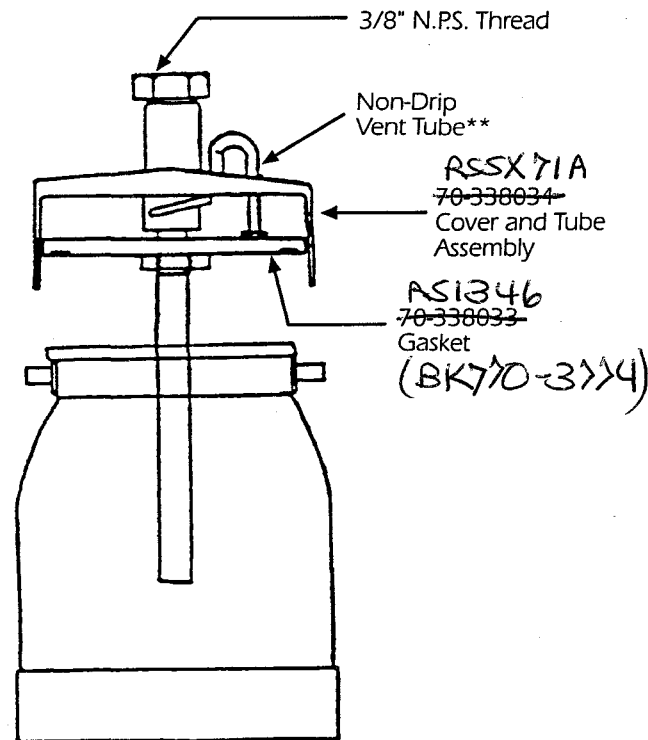
1. Remove assembly from packing container.
2. To remove cover assembly:
 - A. Turn Cam lever counterclockwise.
 - B. Rotate Cover assembly counterclockwise enough to disengage clamp from posts on sides of container.
 - C. Lift off cover assembly.
3. Reduce (thin) Paint according to manufacturer's recommendations and strain into container.
4. Re-install cover assembly by reversing steps A, B, & C of Step. 2.

MAINTENANCE

After each use, clean Siphon Cup Assembly inside and out with the same solvent used to reduce (thin) the Paint. Be certain to remove all traces of Paint (including inside of Siphon Pick-Up Tube) because the next time that Paint is put into the Cup, it may dissolve any old, dried Paint in the Cup and change the color of the Paint.

CAUTION: Always exercise extreme care when using any Solvent or Thinner.

Never clean Gun or Siphon Cup near fire, flame, or any source of heat or sparks.



** Note: If a replacement for the Non-Drip Vent Tube is needed, use a length of 5/32" I. D. nylon tubing



MANUFACTURED FOR BALKAMP, INC.
2601 S. HOLT RD.
Indianapolis, IN 46241
MADE IN TAIWAN

Rev. 7/21/97