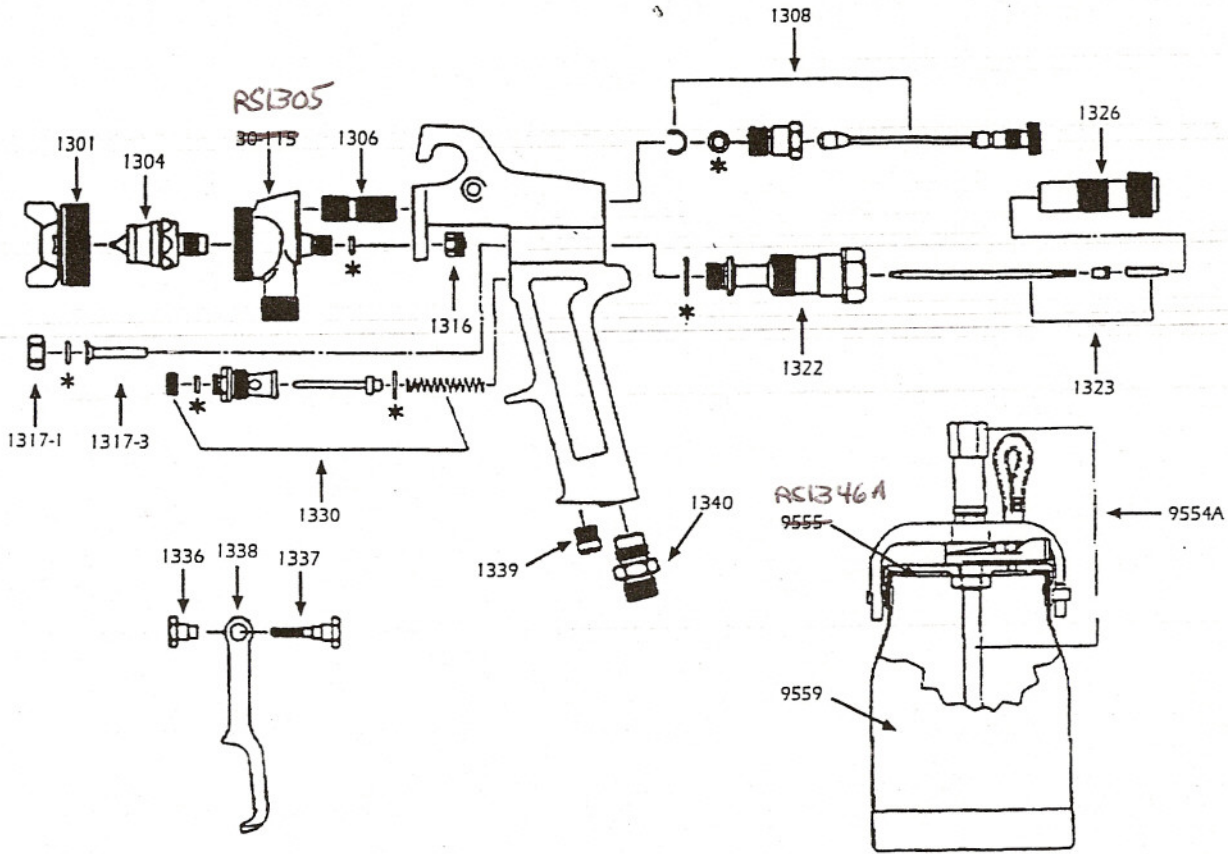


770-3703

SPRAY GUN & CUP
BREAKDOWN

SPRAY GUN & CUP



PARTS LIST

Part No.	Description	Part No.	Description
1301	Air Nozzle W/Brass Cap	1326	Fluid Control Assembly
1304	Fluid Nozzle	1330	Air Valve Assembly
RS1305 30-115	Head	1336	Screw
1306	Screw	1337	Stud
1308	Adjusting Valve Set	1338	Trigger
1316	Nut	1339	Screw
1317-1	Sleeve	1340	Connection
1317-3	Retainer	9554A	Complete Lid Assembly
1322	Housing	RS1346A 9555	Gasket
1323	Needle Valve Assy.	9559	Cup

RSRK1300 KIT INCLUDES ALL
SOFT SEALS MARKED WITH
(*) ASTERISK



MANUFACTURED FOR BALKAMP, INC.
2601 S. HOLT RD.
Indianapolis, IN 46241
MADE IN TAIWAN