



**SUNEX**<sup>®</sup>  
T O O L S

### **OWNER/USER RESPONSIBILITY:**

The owner and/or user must have a thorough understanding of the manufacturer's operating instructions and warnings before using the transmission jack. Personnel involved in the use and operation of equipment shall be careful, competent, trained, and qualified in the safe operation of the equipment and its proper use when servicing motor vehicles and their components. Warning information should be emphasized and understood. If the operator is not fluent in English, the manufacturer's instructions and warnings shall be read to and discussed with the operator in the operator's native language by the purchaser/owner, making sure that the operator comprehends its contents.

Owner and/or user must study and maintain for future reference the manufacturer's instructions and pertinent warning information. Owner and/or user is responsible for keeping all warning labels and instruction manuals legible and intact. Replacement labels and literature are available from the manufacturer.

### **ASSEMBLY INSTRUCTIONS:**

Assemble fingers (part #664606) and hook and chain. Refer to schematic on page 2.

### **INSPECTION:**

Visual inspection should be made before each use of the transmission jack. Any jack which appears to be damaged in any way, found to be badly worn, or operates abnormally **MUST BE REMOVED FROM SERVICE**. If the jack is accidentally subjected to an abnormal load or shock, it must be inspected by a manufacturer's authorized repair facility immediately. It is recommended that an annual inspection of the jack be made by a manufacturer's authorized repair facility and that any defective parts, decals, or warning labels be replaced with manufacturer's specified parts. All repairs must be made by a factory authorized service center. A list of authorized repair facilities is available from the manufacturer.

### **IMPORTANT! BEFORE USE:**

Air may become trapped in the hydraulic system during transit. To purge air:

1. Open release valve by turning release knob counterclockwise.
2. Pump handle rapidly 4 full strokes. This will expel air that may have entered oil passages during transit.
3. Close release valve by rotating release knob clockwise and pump handle.

**MODEL #7740B**

**2000 LB. CAPACITY**

**LOW PROFILE TRANSMISSION JACK**

**PARTS BREAKDOWN AND OPERATING MANUAL**



**THIS OPERATING MANUAL CONTAINS IMPORTANT SAFETY INFORMATION. READ CAREFULLY AND UNDERSTAND ALL INFORMATION BEFORE OPERATING TOOL. SAVE THIS MANUAL FOR FUTURE USE.**

## **! WARNING**



**THE USE OF THIS JACK IS LIMITED TO THE REMOVAL, INSTALLATION, AND TRANSPORTATION IN THE LOWERED POSITION, OF TRANSMISSIONS AND DIFFERENTIALS. IT MAY BE USED WITH APPROPRIATE ADAPTERS MANUFACTURED SPECIFICALLY FOR THE JACK TO HANDLE OTHER COMPONENTS, SUCH AS REAR AXLE UNITS AND TRANSFER CASES, WITHIN THE WEIGHT LIMITATIONS SPECIFIED. NO ALTERATION TO THE JACK OR ADAPTERS SHALL BE MADE.**

**BE SURE THE VEHICLE IS APPROPRIATELY SUPPORTED BEFORE STARTING REPAIRS.**

**DO NOT OVERLOAD. OVERLOADING CAN CAUSE DAMAGE TO OR FAILURE OF THE JACK.**

**ONLY ATTACHMENTS AND/OR ADAPTERS SUPPLIED BY THE MANUFACTURER SHALL BE USED.**

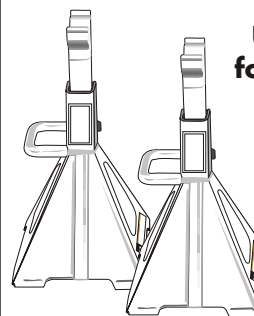
**THIS JACK IS DESIGNED FOR USE ONLY ON HARD LEVEL SURFACES CAPABLE OF SUSTAINING THE LOAD. USE ON OTHER THAN HARD LEVEL SURFACES CAN RESULT IN JACK INSTABILITY AND POSSIBLE LOSS OF LOAD.**

**READ, STUDY AND UNDERSTAND THE OPERATING MANUAL PACKED WITH THIS JACK BEFORE OPERATING.**

**FAILURE TO HEED THESE WARNINGS MAY RESULT IN LOSS OF LOAD, DAMAGE TO JACK, AND/OR FAILURE RESULTING IN PROPERTY DAMAGE, PERSONAL OR FATAL INJURY.**

## **! WARNING**

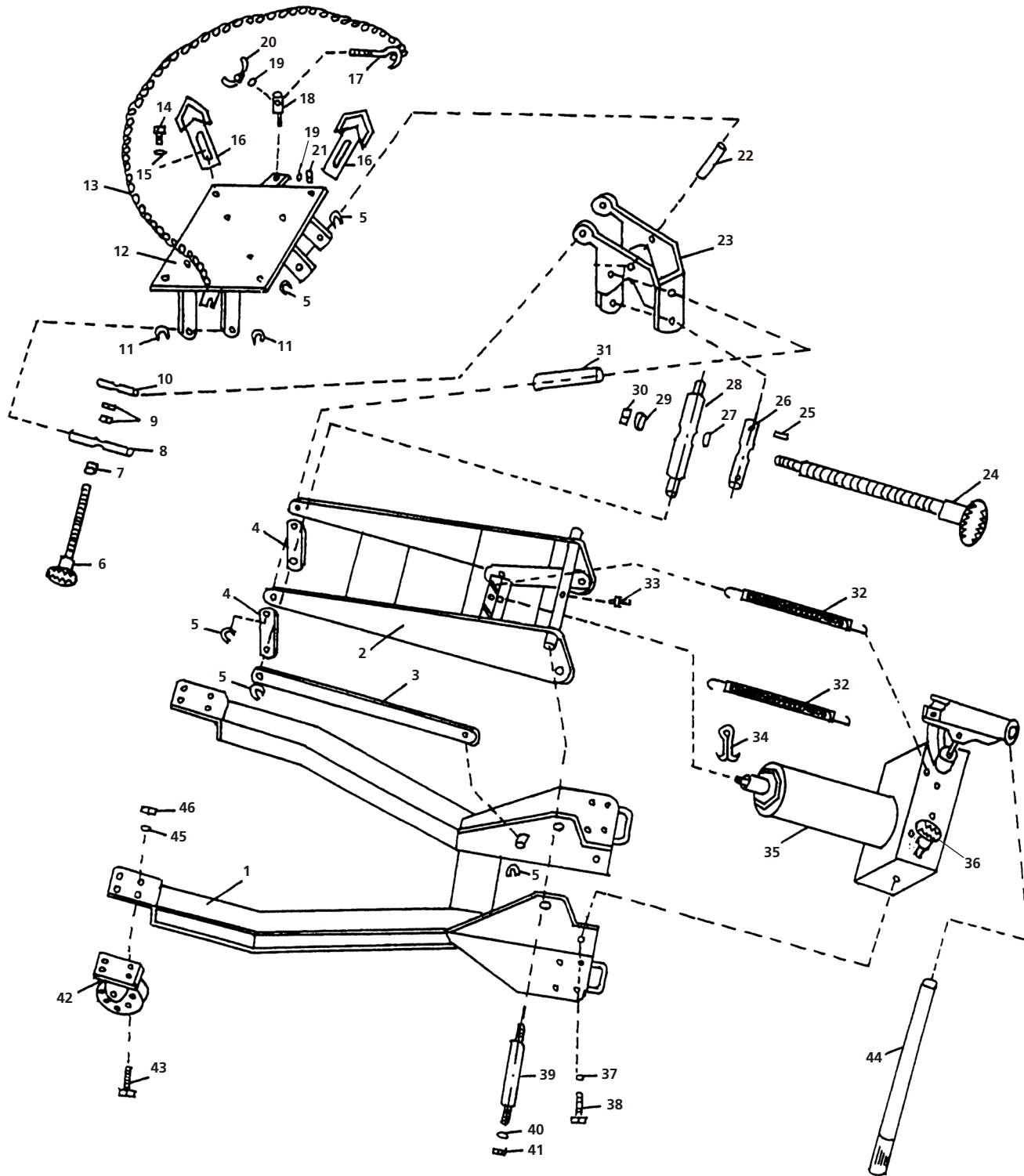
**FOR YOUR SAFETY AND TO PREVENT INJURY:**



**Use Service Jack for lifting purposes ONLY.**

**Always support vehicle with jack stands.**

# MODEL #7740B 2000 LB. CAPACITY LOW PROFILE TRANSMISSION JACK



REF NUMBER	PART NUMBER	DESCRIPTION	QTY.	REF NUMBER	PART NUMBER	DESCRIPTION	QTY.
1		Main Frame	1	24	RS7740B24	Adj. Screw Assembly w/Knob (forward)	1
2	RS7740A02	Lift Arm	1	25	*	Spring Pin	2
3	RS7740A03	Lift Arm Strap	2	26	*	Forward Pivot/Front	1
4	RS7740A04	Front Link	2	27	*	Washer	1
5	*	Snap Ring	8	28	*	Forward Pivot/Back	1
6	RS7750A06	Adj. Screw Assembly w/Knob (side)	1	29	*	Bearing	1
7	*	Spacer	1	30	*	Lock Nut	1
8	*	Side Pivot/Front	1	31	*	Forward Pivot Shaft	1
9	*	Hex Nut	2	32	RS7750A32	Return Spring	2
10	*	Side Pivot/Back	1	33		Grease Fitting	1
11	*	Snap Ring	4	34	*	Cotter Pin	1
12	RS7740B12	Saddle Assembly	1	35	RS7740A35	Hydraulic Unit Assembly	1
13	RS6648BK	Bolt (Chain) Kit	1	36	RS7740A36	Release Valve Stem	1
14	*	Hex Bolt	8	37	*	Lock Washer	2
15	*	Washer	8	38	*	Hex Cap Screw	2
16	RS664606	Finger	4	39	RS7740A39	Lift Arm Pivot Pin	1
17	*	Hook	1	40	*	Lock Washer	2
18	*	Stud	1	41	*	Hex Nut	2
19	*	Washer	2	42	RSSC301A	Caster	4
20	*	Wing Nut	1	43	**	Hex Cap Screw	16
21	*	Hex Nut	1	44	RS7750A44	Handle	1
22	*	Side Pivot Shaft	1	45	**	Washer	16
23	RS7740B23	Saddle Support Assembly	1	46	**	Lock Nut	16

- \* RS7750A06 Includes Part Nos. 6, 7, 8, 9 (2), 10, 11 (2)
- \* RS7740B12 Includes all items 5 through 31
- \* RS7740B23 Includes Part Nos. 5 (4), 22, 23, 31
- \* RS7740B24 Includes Part Nos. 5 (2), 24, 25 (2), 26, 27, 28, 29, 30
- \* RS7740A35 Includes Part Nos. 34, 35, 36, 37 (2), 38 (2), 44
- \* RS7740A39 Includes Part Nos. 39, 40 (2), 41 (2)
- \* RS6648BK Includes Part Nos. 13, 14 (8), 15 (8), 17, 18, 19 (2), 20, 21
- \* RS6645SK Seal Kit for Hydraulic Unit RS7740A35
- \*\* RS305004WK Wheel Kit, includes 8 ea. of 43, 45, 46. Two Kits required.

**OPERATING INSTRUCTIONS:**

1. To lift load, pump lever to raise saddle to desired height to contact transmission.
2. Always position the jack so the weight of the load is equally distributed on the saddle.
3. Position corner support brackets and secure the load with chain.
4. Attach stud (item #18) to the bracket on the side of the saddle.
5. Insert hook (item #17) through the eyebolt and attach the wing nut to the first couple of threads on the J bolt.
6. The chain should be pulled over the load securely and engaged into slot on the opposite side of the saddle, then tighten wing nut.
7. To lower the jack, slowly open release valve. Insure that load is lowered slowly.

**CAUTION:** Keep hands or feet away from the hinge mechanism of the jack.

**MAINTENANCE INSTRUCTIONS:**

All moving joints require frequent lubrication. Oil or grease lift arm linkages, adjusting rod threads and casters.

**SPECIFICATIONS:**

Capacity .....	2,000 Lb.
Low Height .....	5-3/4"
High Height .....	31-1/2"
Saddle Tilt Forward .....	65°
Saddle Tilt Backward .....	10°
Saddle Tilt Side to Side .....	12°
Base .....	37-1/2" x 18-1/2"
Shipping Weight .....	143 Lbs.
Net Weight .....	135 Lbs.

**LIMITED WARRANTY:**

**SUNEX INTERNATIONAL, INC. WARRANTS TO ITS CUSTOMERS THAT THE COMPANY'S SUNEX TOOLS® BRANDED PRODUCTS ARE FREE FROM DEFECTS IN WORKMANSHIP AND MATERIALS.**

Sunex International, Inc. will repair or replace its Sunex Tools® branded products which fail to give satisfactory service due to defective workmanship or materials, based upon the terms and conditions of the following described warranty plans attributed to that specific product.

This product carries a ONE-YEAR warranty. During this warranty period, Sunex Tools will repair or replace at our option any part or unit which proves to be defective in material or workmanship.

**Other important warranty information...**

This warranty does not cover damage to equipment or tools arising from alteration, abuse, misuse, damage and does not cover any repairs or replacement made by anyone other than Sunex Tools or its authorized warranty service centers.

The foregoing obligation is Sunex Tools' sole liability under this or any implied warranty and under no circumstances shall we be liable for any incidental or consequential damages.

**Note:** Some states do not allow the exclusion or limitation of incidental or consequential damages, so the above limitation or exclusion may not apply to you.

Return equipment or parts to Sunex Tools, transportation prepaid. Be certain to include your name and address, evidence of the purchase date, and description of the suspected defect.

If you have any questions about warranty service, please write to Sunex Tools. This warranty gives you specific legal rights and you may also have other rights which vary from state to state.

Repair kits and replacement parts are available for many of Sunex Tools products regardless of whether or not the product is still covered by a warranty plan.

**SHIPPING ADDRESS:**

Sunex Tools  
315 Hawkins Rd.  
Travelers Rest, South Carolina 29690

**MAILING ADDRESS:**

Sunex Tools  
P.O. Box 4215  
Greenville, South Carolina 29608