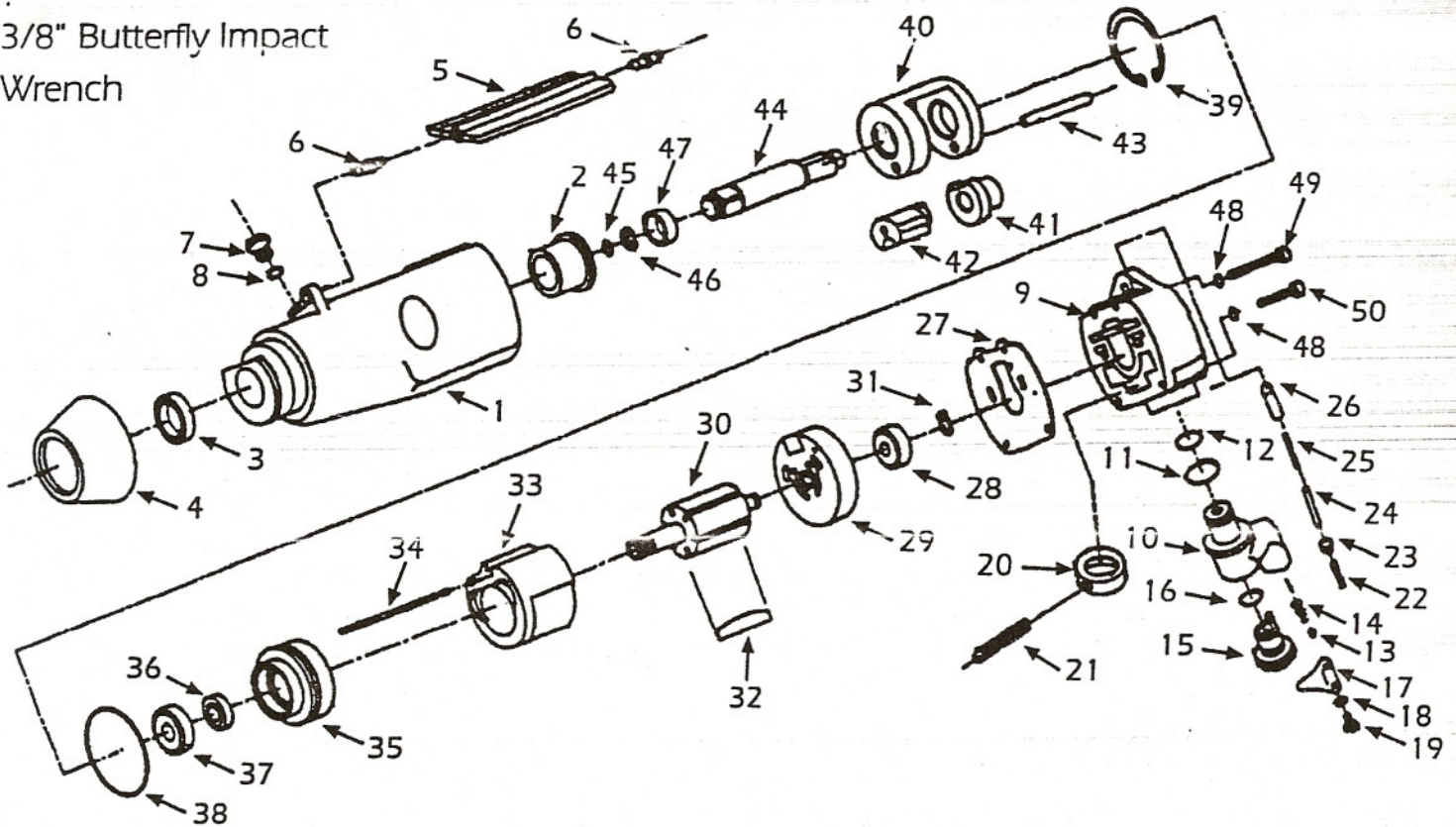


# PARTS BREAKDOWN FOR BUTTERFLY IMPACT WRENCH — MODEL 775-0111

## 775-0111

3/8" Butterfly Impact Wrench



| REF. NO. | PART NO.          | DESCRIPTION       | QTY. | REF. NO. | PART NO.          | DESCRIPTION                | QTY. |
|----------|-------------------|-------------------|------|----------|-------------------|----------------------------|------|
| 1        | 106101            | Motor Housing     | 1    | 26       | 106126            | Plunger                    | 1    |
| 2        | 106102            | Anvil Bushing     | 1    | 27       | 106127            | Back Cap Gasket            | 1    |
| 3        | 106103            | Oil Seal          | 1    | 28       | <del>106128</del> | Ball Bearing <i>RS2114</i> | 1    |
| 4        | 106104            | Rubber Nose Guard | 1    | 29       | 106129            | Rear End Plate             | 1    |
| 5        | 106105            | Throttle Lever    | 1    | 30       | 106130            | Rotor                      | 1    |
| 6        | 106106            | Throttle Pin      | 2    | 31       | <del>106131</del> | Retaining Ring             | 1    |
| 7        | 106107            | Oiler Screw       | 1    | 32       | 106132            | Rotor Blade                | 6    |
| 8        | 106108            | O-Ring            | 1    | 33       | 106133            | Cylinder                   | 1    |
| 9        | 106109            | Back Cap          | 1    | 34       | 106134            | Motor Pin                  | 1    |
| 10       | 106110            | Air Inlet Block   | 1    | 35       | 106135            | Front End Plate            | 1    |
| 11       | 106111            | O-Ring            | 1    | 36       | 106136            | Oil Seal                   | 1    |
| 12       | 106112            | O-Ring            | 1    | 37       | 21114             | Ball Bearing               | 1    |
| 13       | <del>106113</del> | Regulator Ball    | 1    | 38       | 106138            | O-Ring                     | 1    |
| 14       | <del>106114</del> | Regulator Spring  | 1    | 39       | 106139            | Snap Ring                  | 1    |
| 15       | 106115            | Regulator         | 1    | 40       | 106140            | Hammer Cage                | 1    |
| 16       | 106116            | O-Ring            | 1    | 41       | 106141            | Cam                        | 1    |
| 17       | 106117            | Retainer Plate    | 1    | 42       | 106142            | Hammer                     | 1    |
| 18       | <del>106118</del> | Lock Washer       | 2    | 43       | 106143            | Hammer Pin                 | 1    |
| 19       | 106119            | Screw             | 2    | 44       | 106144            | Anvil                      | 1    |
| 20       | 106120            | Fixing Ring       | 1    | 45       | 106145            | O-Ring                     | 1    |
| 21       | 106121            | Pin               | 1    | 46       | 106146            | Socket Retaining Ring      | 1    |
| 22       | 106122            | Valve Spring      | 2    | 47       | 106147            | Cage Bushing               | 1    |
| 23       | 106123            | Valve Seat        | 2    | 48       | <del>106148</del> | Lock Washer                | 4    |
| 24       | 106124            | Valve             | 2    | 49       | 106149            | Cap Screw- Long            | 2    |
| 25       | 106125            | Plunger Spring    | 2    | 50       | 106150            | Cap Screw - Short          | 2    |

*Not in tool* →

*Not in tool* ←

*" " "* ←

*No longer in tool* ←

*Not avail. separately; Comes w/ #49 + #50* →