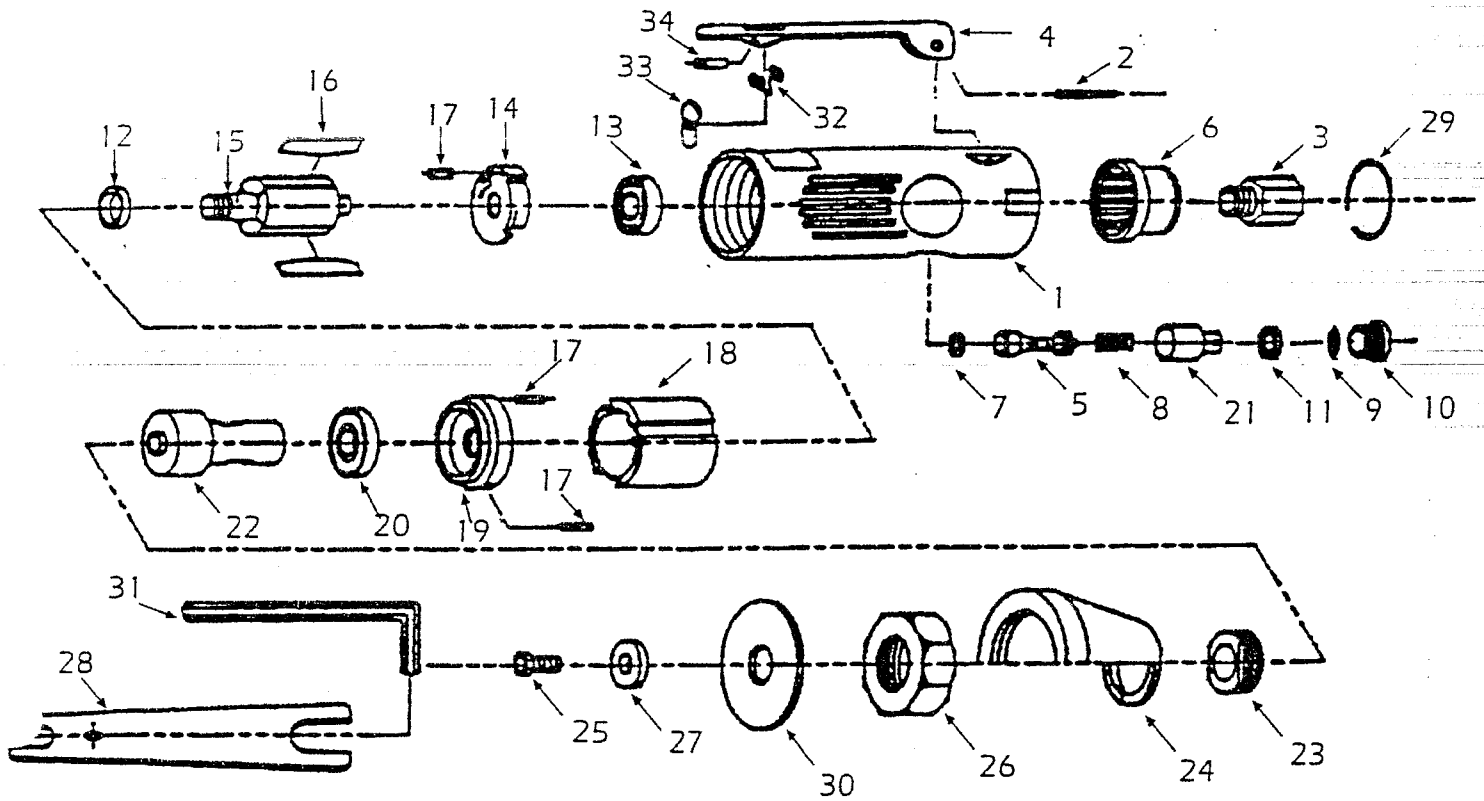


**PARTS BREAKDOWN FOR UTILITY CUT-OFF TOOL — MODEL 775-0233**

**775-0233**

Utility Cut-Off Tool



REF. NO.	PART NO.	DESCRIPTION	QTY.
1	380101	Motor Housing	1
2	233A02	Lever Pin	1
3	233A03	Air Inlet	1
4	380104	Throttle Lever	1
5	233A05	Valve Stem	1
6	233A06	Exhaust Deflector	1
7	233A07	O-Ring	1
8	233A08	Valve Spring	1
9	233A09	O-Ring	1
10	233A10	Throttle Valve Plug	1
11	233A11	O-Ring	1
12	233A12	Rotor Bush	1
13	21114	Ball Bearing	1
14	233A14	Rear End Plate	1
15	233A15	Rotor	1
16	233A16	Rotor Blades	4
17	233A17	Pin	3

REF. NO.	PART NO.	DESCRIPTION	QTY.
18	380118	Cylinder	1
19	233A19	Front End Plate	1
20	10920	Ball Bearing	1
21	233A21	Air Regulator	1
22	233A22	Spindle	1
23	233A23	Retainer	1
24	233A24	Guard	1
25	233A25	Hex Screw	1
26	233A26	Nut	1
27	233A27	Washer	1
28	233A28	Spanner	1
29	233A29	Retainer Ring	1
*30	87602	Cutting Wheel	1
31	233A31	Allen Wrench	1
32	380132	Spring	1
33	380133	Safety Bar	1
34	380134	Spring Pin	1

Note: 87602 comes in pkg of 5