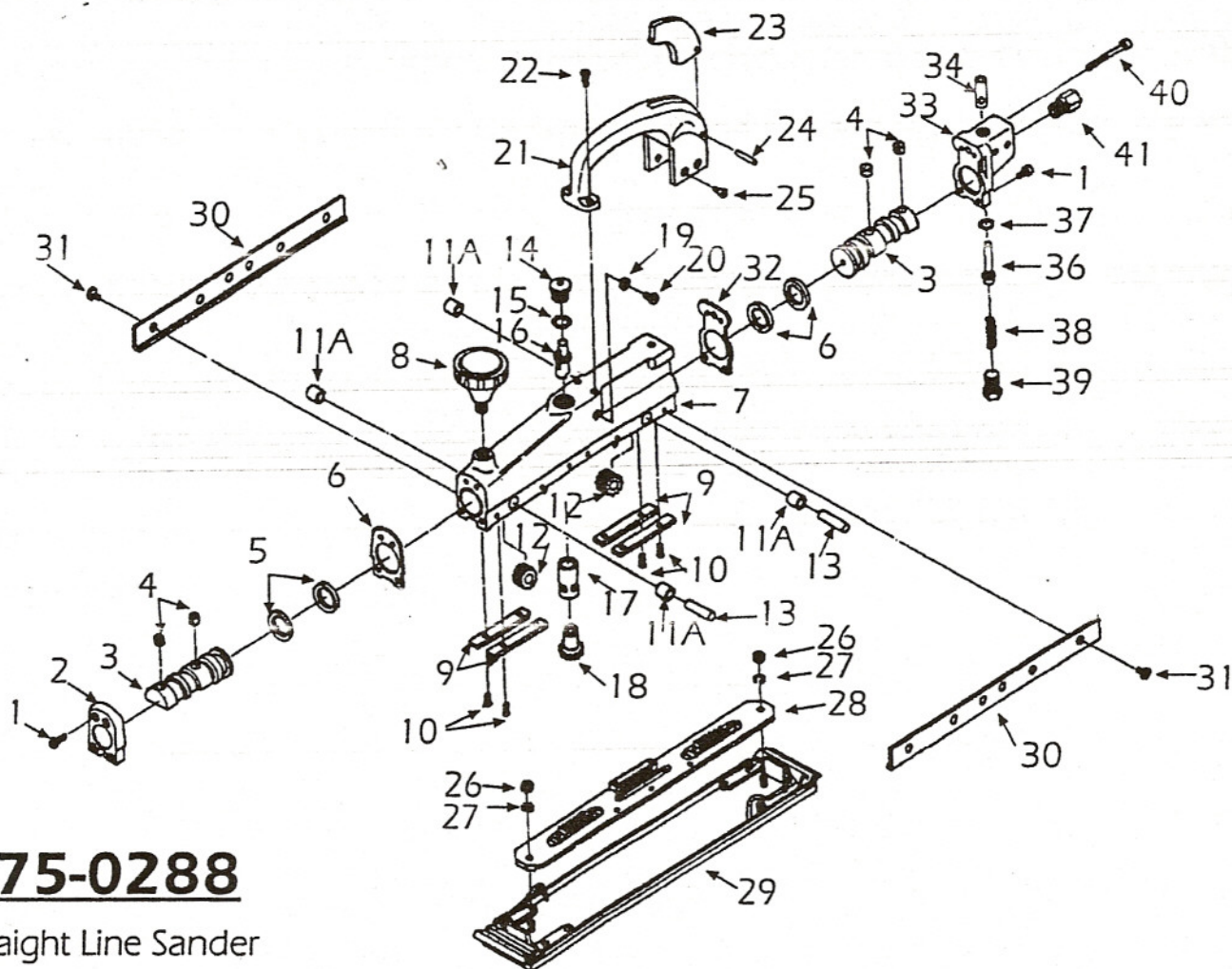


# PARTS BREAKDOWN FOR STRAIGHT LINE SANDER — MODEL 775-0288



## 775-0288

Straight Line Sander

REF. NO.	PART NO.	DESCRIPTION	QTY.
1	288B01	Socket Head Screw	6
2	288B02	Front Cap	1
3	288B03	Piston	2
4	288B04	Plug	4
5	288B05	Piston Ring	4
6	288B06	Front Gasket	1
7	288B07	Body	1
8	288B08	Knob	1
9	288B09	Wear Plate	4
10	288B10	Socket Head Screw	8
11A	288B11	Bearing	4
12	288B12	Gear	2
13	288B13	Gear Shaft	2
14	288B14	Valve Screw	1
15	288B15	O-Ring	1
16	288B16	Adj. Shaft	1
17	288B17	Actuator Valve	1
18	288B18	Actuator Gear	1
19	288B19	O-Ring	1
20	288B20	Flat HD.	1

REF. NO.	PART NO.	DESCRIPTION	QTY.
21	288B21	Handle	1
22	288B22	Ph. Rd. Hd. Screw	2
23	288B23	Trigger	1
24	288B24	Roll Pin	1
25	288B25	Ph. Rd. Hd. Screw	4
26	288B26	Hex Nut	2
27	288B27	Washer	2
28	288B28	Carrier	1
29	288B29	Pad Assembly	1
30	288B30	Side Strap	2
31	288B31	Ph. Rd. Hd. Screw	12
32	288B32	Rear Gasket	1
33	288B33	Rear Cap	1
34	288B34	Bushing	1
36	288B36	Valve Pin	1
37	288B37	O-Ring	1
38	288B38	Valve Spring	1
39	288B39	Valve Plug	1
40	288B40	Socket Head Screw	2
41	288B41	Hose Adaptor	1