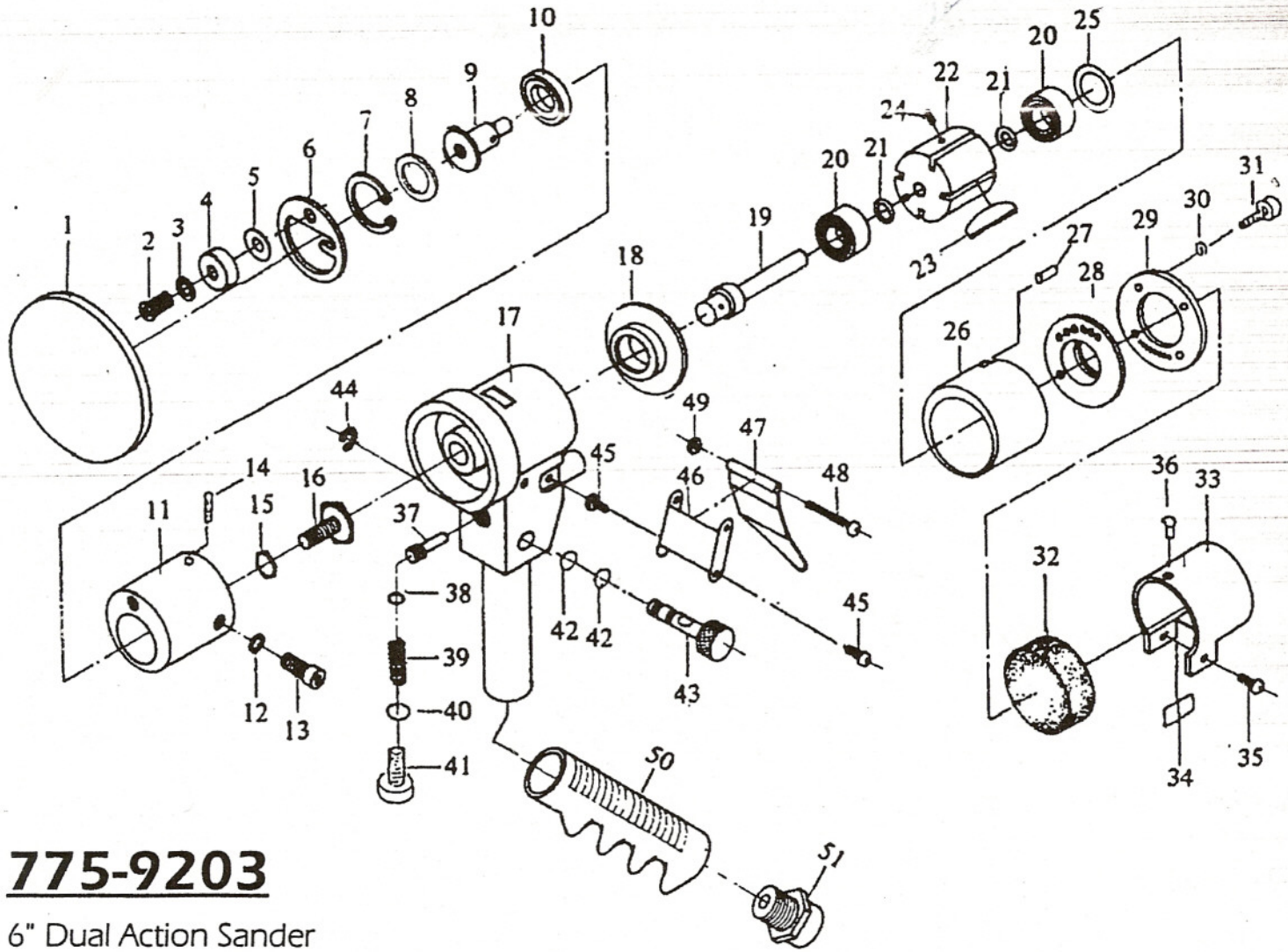


# PARTS BREAKDOWN FOR 6" DUAL ACTION SANDER — MODEL 775-9203



## 775-9203

6" Dual Action Sander

REF. No.	PART No.	DESCRIPTION	QTY.
1	87513	6" DA Bonded Pad (Std.)	1
2	203N02	Cap Screw	1
3	203N03	Screw Washer	1
4	203N04	Balance Nut	1
5	203N05	Wave Washer	1
6	203N06	Drive Cover	1
7	203N07	Fixing Ring	1
8	203N08	Corrugated Washer	1
9	203N09	Sanding Pad - Standard Nut	1
10	21118	Ball Bearing	1
11	203N11	Random Balance Body	1
12	203N12	Lock Washer	1
13	203N13	Socket Head Cap Screw	1
14	203N14	Slotted Set Screw	1
15	203N15	Spring Washer	1
16	203N16	Front Screw	1
17	203N17	Valve Body	1
18	203N18	Front Plate	1
19	203N19	Rotor Shaft	1
20	29120	Ball Bearing	2
21	203N21	Shim	2
22	203N22	Rotor	1
23	203N23	Rotor Blade	5
24	203N24	Set Screw	1
25	203N25	Bearing Shield	1
26	203N26	Cylinder	1

REF. No.	PART No.	DESCRIPTION	QTY.
27	203N27	Set Pin	1
28	203N28	Rear Plate	1
29	203N29	Rotor Fixing Cover	1
30	203N30	Spring Washer	1
31	203N31	Rotor Screw	1
32	203N32	Muffer	1
33	203N33	Rotor Cover	1
34	203N34	Sponge	1
35	203N35	Screw	1
36	203N36	Screw	1
37	203N37	Push Rod	1
38	203N38	O-Ring	1
39	203N39	Throttle Spring	1
40	203N40	O-Ring	1
41	203N41	Throttle Valve Plug	1
42	203N42	O-Ring	1
43	203N43	Regulator	1
44	203N44	Retaining Ring	1
45	203N45	Screw	1
46	203N46	Lever Bracket	2
47	203N47	Lever Booster	2
48	203N48	Bolt	1
49	203N49	Nut	5
50	203N50	Handle	1
51	203N51	Air Inlet	1

\*Note: Optional 5" Pad Also Available (Part #87511)