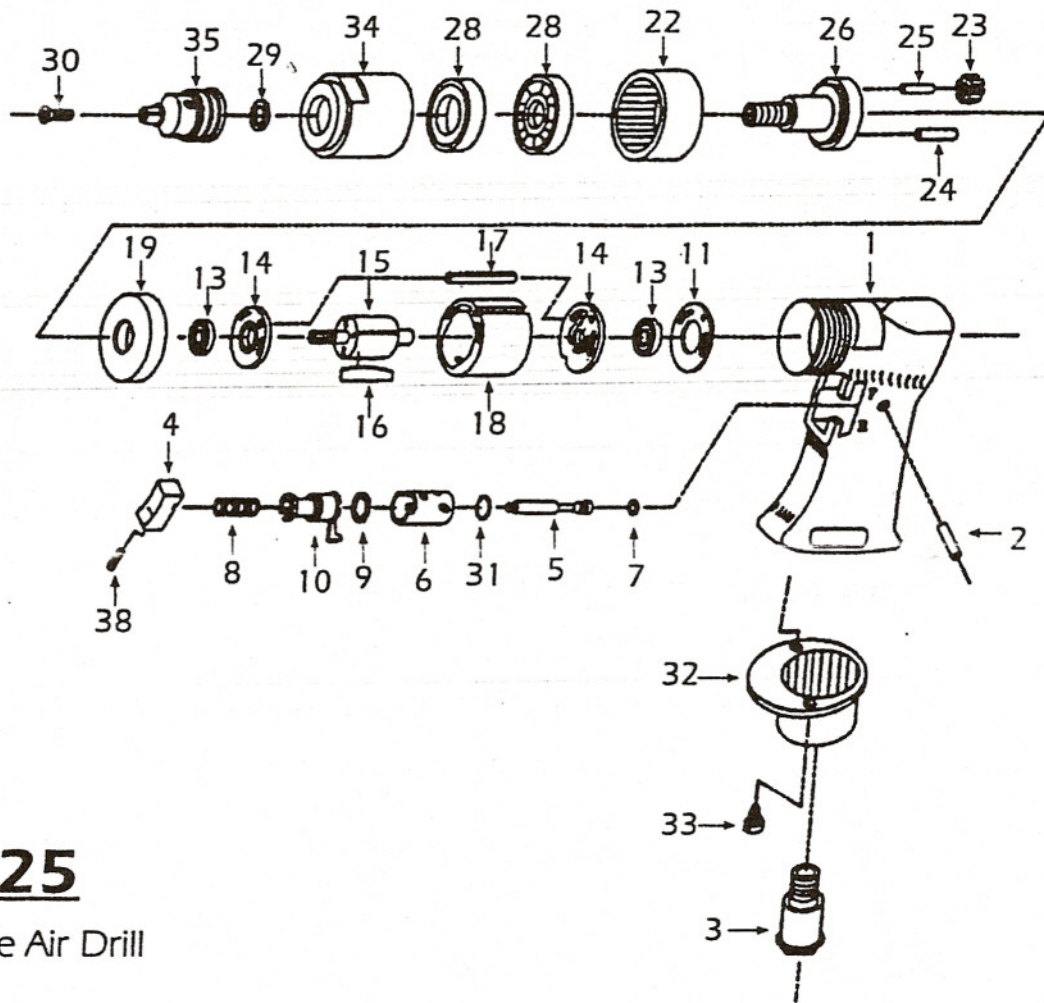


PARTS BREAKDOWN FOR 3/8" REVERSIBLE AIR DRILL — MODEL 775-9225



775-9225

3/8" Reversible Air Drill

REF. NO.	PART NO.	DESCRIPTION
1	76201	Motor Housing
2	76202	Pin
RS79403N	78803	Air Inlet Air Inlet
4	78804	Trigger
5	76205	Valve Stem
6	76206	Reverse Bushing
7	233A07	O-Ring
8	78808	Valve Spring
9	76209	O-Ring
10	76210	Reverse Lever
RS79511	78711	Motor Gasket
13	21114	Ball Bearing
RS79514	78714	End Plate
15	76215	Rotor
16	78816	Rotor Blades
17	76217	Pin

REF. NO.	PART NO.	DESCRIPTION	QTY.
18	78718	Cylinder	1
19	76219	Spacer	1
22	78822	Internal Gear	1
RS79523	78823	Planet Gear	3
Comes w/ #26	24	78724 Pin	3
25	76225	Bushing	3
RS79526	76226	Work Spindle	1
28	21118	Ball Bearing	2
29	78829	Chuck Spacer	1
30	76230	Chuck Screw	1
31	76231	O-Ring	1
32	76232	Exhaust Diffuser	1
RS43007	76233	Screw	2
RS79534	76234	Clamp Nut	1
35	87106	Drill Chuck (3/8") and key	1
38	78638	Set Screw	1

Also available:
RS87106KK Chuck Key Only
Rev. 7/9/98