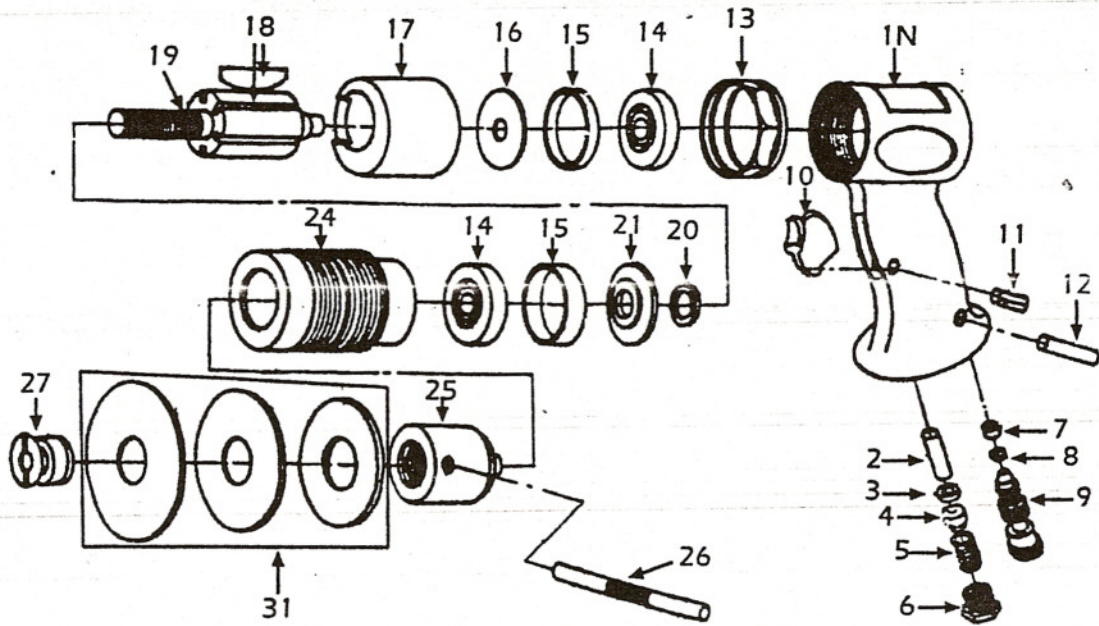


PARTS BREAKDOWN FOR 5" HIGH SPEED SANDER — MODEL 775-9265



775-9265

5" High Speed Sander

REF. NO.	PART No.	DESCRIPTION	QTY.
1	265B01 N	Body	1
2	265B02	Control Pin & O-Ring	1
3	265B03 (see 265B02)		
4	265B04	Ball	1
5	265B05	Spring	1
6	265B06	Hose Joint	1
7	265B07	Rubber Gasket	1
8	265B08 (see 265B09)		
9	265B09	Regulator & O-Ring	1
10	265B10	Trigger	1
11	265B11	Pin	1
12	265B12	Pin	1
13	265B13	Housing Lock Ring	1
14	21118	Bearing	2
15	265B15	Spacer (Incl. w/Plates)	2
16	265B16	Rear End Plate	1
17	265B17	Cylinder	1
18	265B18	Vanes	4
19	265B19	Rotor	1
20	265B20	Bushing - Front End	1
21	265B21	Front End Plate	1
24	265B24	Cylinder Housing	1
25	265B25	Sanding Adapter	1
26	265B26	Holding Tool	1
27	265B27	Adapter Lock Down	1
31	265B31	3", 4-1/2", 5-1/2" Backing Plates	1