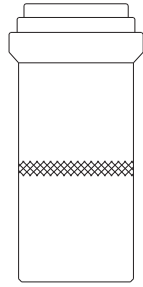


**RS78130507**  
Rotor & Bearing Pilot

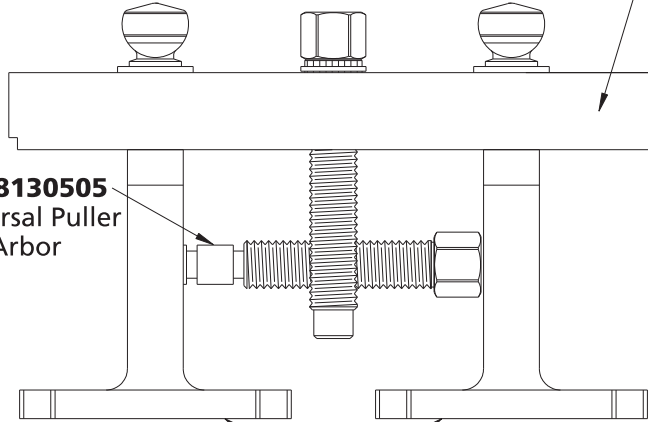


**RS78130501**  
Pulley Bearing Remover & Driver

**RS78130505**  
Universal Puller Arbor

**RS78130503**  
Pulley Arbor

**RS78130519**  
Pulley Body

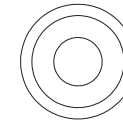


**RS78130520**  
Pulley Remover Jaws

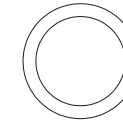
**RS78130521**  
Feeler Gauge Set



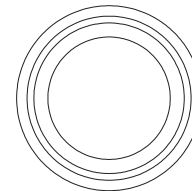
**RS78130510**  
Pulley Hub Removal Pilot



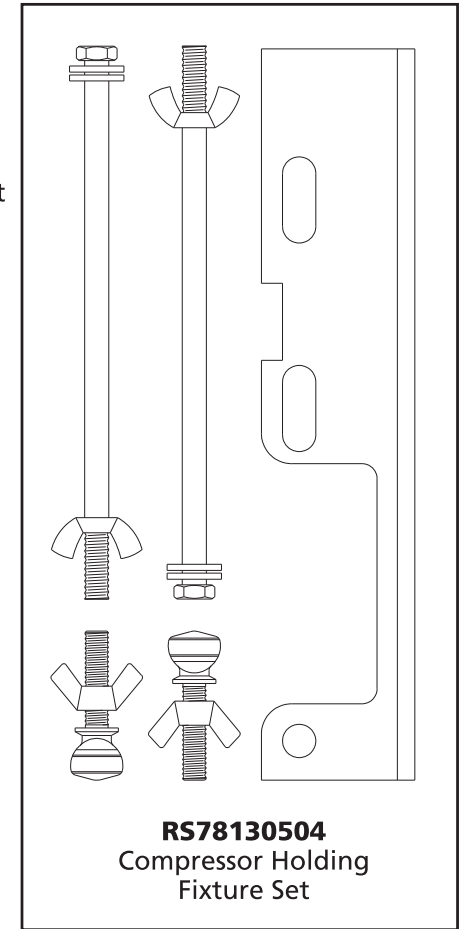
**RS78130511**  
Shaft Protector Pilot



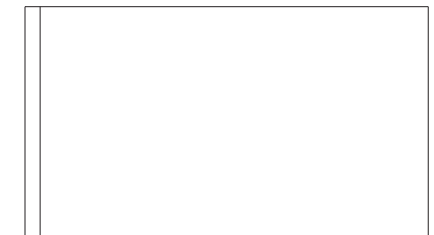
**RS78130509**  
Pulley Remover Pilot



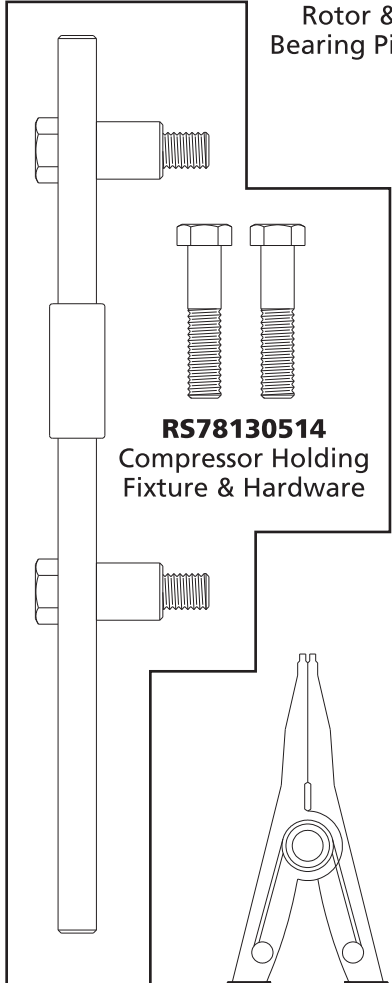
**RS78130512**  
Bearing & Pulley Installer



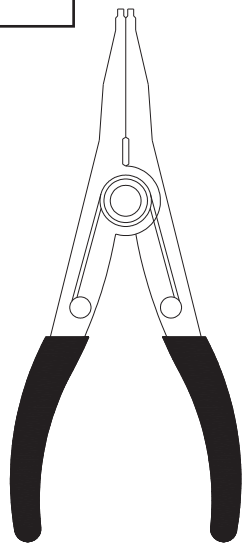
**RS78130504**  
Compressor Holding Fixture Set



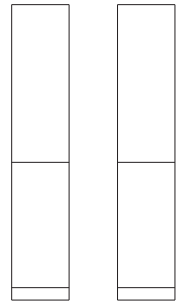
**RS78130517**  
Rotor & Bearing Puller Arbor



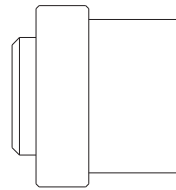
**RS78130514**  
Compressor Holding Fixture & Hardware



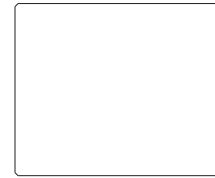
**RS78130502**  
External Retaining Ring Pliers



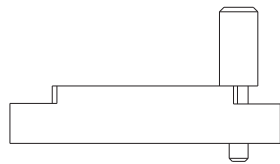
**RS78130513**  
Coin Puller Jaws



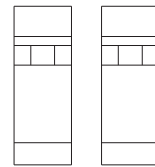
**RS78130508**  
Clutch Assembly Installer



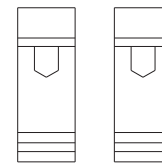
**RS78130506**  
Coil Installer



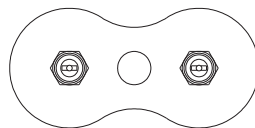
**RS78130518**  
Clutch Bearing Staking Tool



**RS78130516**  
Rotor & Bearing Puller Jaws



**RS78130515**  
Pulley Remover Jaws



**RS78130522**  
GM Compressor Test Plate