

# AIR/MANUAL HYDRAULIC BOTTLE JACKS

**Model# 791-2300A – 12 Ton Capacity**

**Model# 791-2320A – 20 Ton Capacity**

**THIS OPERATING MANUAL CONTAINS IMPORTANT SAFETY INFORMATION. READ CAREFULLY AND UNDERSTAND ALL INFORMATION BEFORE OPERATING TOOL. SAVE THIS MANUAL FOR FUTURE USE.**

## OWNER/USER RESPONSIBILITY

The owner and/or user must have an understanding of the manufacturer's operating instructions and warnings before using this bottle jack. Personnel involved in the use and operation of equipment shall be careful, competent, trained, and qualified in the safe operation of the equipment and its proper use when servicing motor vehicles and their components. Warning information should be emphasized and understood.

If the operator is not fluent in English, the manufacturer's instructions and warnings shall be read to and discussed with the operator in the operator's native language by the purchaser/owner, making sure that the operator comprehends its contents.

Owner and/or user must study and maintain for future reference the manufacturer's instructions. Owner and/or user is responsible for keeping all warning labels and instruction manuals legible and intact. Replacement labels and literature are available from the manufacturer.



# !WARNING

**FOR YOUR SAFETY AND TO PREVENT INJURY:**



**Use Service Jack for lifting purposes ONLY.**

**Always support vehicle with jack stands.**



# !WARNING

**THIS IS A LIFTING DEVICE ONLY. IMMEDIATELY AFTER LIFTING, SUPPORT THE VEHICLE WITH APPROPRIATE MEANS.**

**DO NOT OVERLOAD. OVERLOADING CAN CAUSE DAMAGE TO OR FAILURE OF THE JACK.**

**LIFT ONLY ON AREAS OF THE VEHICLE AS SPECIFIED BY THE VEHICLE MANUFACTURER.**

**CENTER LOAD ON AREAS OF THE VEHICLE AS SPECIFIED BY THE VEHICLE MANUFACTURER.**

**THIS JACK IS DESIGNED FOR USE ONLY ON HARD, LEVEL SURFACES CAPABLE OF SUSTAINING THE LOAD. USE ON OTHER THAN HARD, LEVEL SURFACES CAN RESULT IN JACK INSTABILITY AND POSSIBLE LOSS OF LOAD.**

**NO ALTERATIONS TO THE JACK SHALL BE MADE.**

**DO NOT WIRE, CLAMP OR OTHERWISE CAUSE THE HAND OPERATED LIFT CONTROL VALVE TO BE OPERATED BY REMOTE MEANS.**

**READ, STUDY AND UNDERSTAND THE INSTRUCTION MANUAL PACKED WITH THIS JACK BEFORE OPERATING. FAILURE TO HEED THESE WARNINGS MAY RESULT IN LOSS OF LOAD, DAMAGE TO THE JACK, AND/OR FAILURE RESULTING IN PROPERTY DAMAGE, PERSONAL OR FATAL INJURY.**

# OPERATING MANUAL & PARTS LIST FOR AIR/MANUAL HYDRAULIC BOTTLE JACKS

## BEFORE USE

1. Open the release valve counter-clockwise no more than 1/2 full turns.
2. With ram fully retracted, locate and remove the oil filler screw/plug. Insert the handle into the handle sleeve, then pump 6 to 8 strokes. This will help release any pressurized air which may be trapped within the reservoir. Ensure the oil level is just below the oil filler screw/plug hole. Reinstall the oil filler screw/plug.
3. Pour a teaspoon of good quality, air tool lubricant into the air supply inlet of the lift control valve. (See Illustration) Connect to air supply and operate for 3 seconds to evenly distribute lubricant.
4. This product is fitted to accept the popular 1/4" NPT air nipple. When installing 1/4" NPT nipple of your choice, ensure that thread tape or compound is used when servicing connections.
5. For air actuated use, ensure that your air source can dedicate 7.8 CFM @ 90 - 175psi to each jack operated. To ensure dependable, trouble free operation, an air dryer and oiler is recommended.

## INSPECTION

Visual inspection should be made before each use of the bottle jack, checking for abnormal conditions such as damaged, loose or missing parts. Each jack must be inspected by a manufacturer's repair facility immediately, if subjected to an abnormal load or shock. Any jack which appears to be damaged in any way, is found to be badly worn, or operates abnormally **MUST BE REMOVED FROM SERVICE** until necessary repairs are made by a manufacturer's authorized repair facility. It is recommended that an annual inspection of the bottle jack be made by a manufacturer's authorized repair facility and that any defective parts, decals or warning labels be replaced with manufacturer's specified parts.

A list of authorized repair facilities is available from the manufacturer.

## MAINTENANCE

1. To add oil, place jack in upright position with pump plunger down. Remove filler plug and add hydraulic jack oil to level of filler hole. Be sure oil is clean and be careful to keep dirt out of jack. **DO NOT USE BRAKE, SHOCK ABSORBER, OR TRANSMISSION FLUID.**
2. Periodically lubricate the points indicated with SAE 30 oil. Keep jack clean.
3. Occasionally check extension screw and pump plunger for corrosion. Keep these parts lubricated to prevent corrosion.

4. When not in use, store jack in upright position in a dry location with pump plunger and extension screw in lowest position and release valve closed.

## OPERATING INSTRUCTIONS

1. **To raise the load**, close release valve by rotating the handle firmly in a clockwise direction (do not overtighten). Carefully position the jack under the load and pump the jack handle to raise the load to the desired height.
2. Use the handle provided with this product or an authorized replacement handle to ensure proper release valve operation. Do not use an extender on the air hose or on the operating handle. When using to lift a vehicle, lift only on the manufacturer's recommended lift points and in accordance with the published guidelines in your vehicle owner's manual. Always use jack stands to support the load immediately after lifting.
3. Insert and secure handle into handle sleeve. Pump handle or squeeze the lift control valve until saddle contacts load. To end air operation, simply release the grip on the lift control valve. **NEVER WIRE, CLAMP OR OTHERWISE DISABLE THE LIFT CONTROL VALVE TO FUNCTION BY ANY MEANS OTHER THAN BY USING THE OPERATOR'S HAND.**
4. Raise load to desired height, then immediately transfer the load to appropriately-rated support devices such as jack stands.
5. **To lower the load**, slowly rotate the jack handle counterclockwise just enough to open the release valve. Opening the release valve more permits the load to descend faster. Do not close the release valve when lowering the load.

**CAUTION:** Be sure all tools and personnel are clear before lowering load. Dangerous dynamic shock loads are created by quickly opening and closing the release valve as the load is being lowered. The resulting overload may cause hydraulic system failure which could cause personal injury and/or property damage.

## **WARNING**

**THIS IS A LIFTING DEVICE ONLY. IMMEDIATELY AFTER LIFTING, SUPPORT THE VEHICLE WITH APPROPRIATE MEANS.**

**DO NOT OVERLOAD. OVERLOADING CAN CAUSE DAMAGE TO OR FAILURE OF THE JACK.**

**LIFT ONLY ON AREAS OF THE VEHICLE AS SPECIFIED BY THE VEHICLE MANUFACTURER.**

**CENTER LOAD ON AREAS OF THE VEHICLE AS SPECIFIED BY THE VEHICLE MANUFACTURER.**

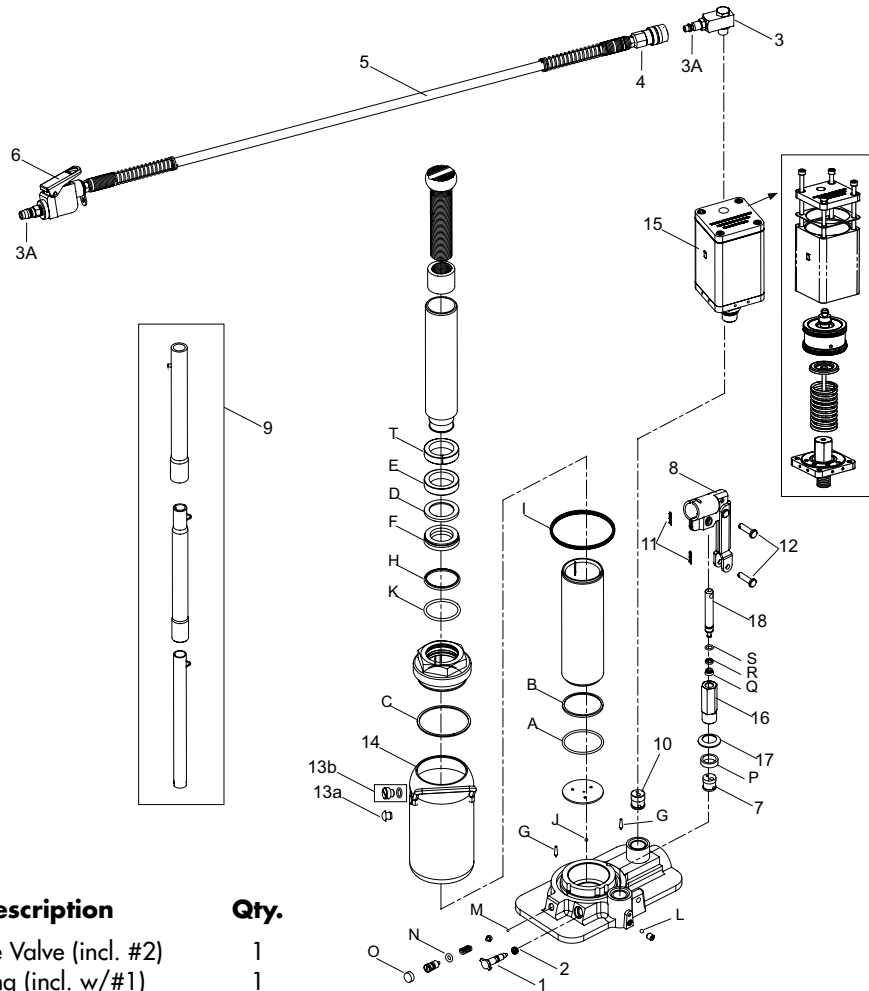
**THIS JACK IS DESIGNED FOR USE ONLY ON HARD, LEVEL SURFACES CAPABLE OF SUSTAINING THE LOAD. USE ON OTHER THAN HARD, LEVEL SURFACES CAN RESULT IN JACK INSTABILITY AND POSSIBLE LOSS OF LOAD.**

**NO ALTERATIONS TO THE JACK SHALL BE MADE.**

**DO NOT WIRE, CLAMP OR OTHERWISE CAUSE THE HAND OPERATED LIFT CONTROL VALVE TO BE OPERATED BY REMOTE MEANS.**

**READ, STUDY AND UNDERSTAND THE INSTRUCTION MANUAL PACKED WITH THIS JACK BEFORE OPERATING. FAILURE TO HEED THESE WARNINGS MAY RESULT IN LOSS OF LOAD, DAMAGE TO THE JACK, AND/OR FAILURE RESULTING IN PROPERTY DAMAGE, PERSONAL OR FATAL INJURY.**

# 791-2300A AND 791-2320A OPERATING MANUAL & PARTS LIST FOR AIR/MANUAL HYDRAULIC BOTTLE JACKS



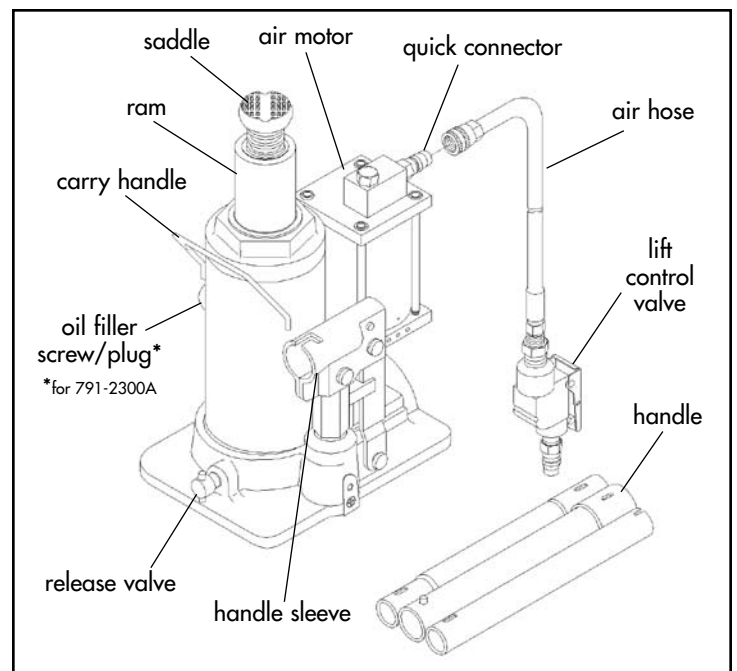
| Index No. | Part No.   | Description              | Qty. |
|-----------|------------|--------------------------|------|
| 1         | RS123011A  | Release Valve (incl. #2) | 1    |
| 2         |            | O-Ring (incl. w/#1)      | 1    |
| 3         | RS12305    | Air Inlet Swivel         | 1    |
| 3a        | RS12306    | Male Quick Coupler       | 2    |
| 4         | RS12307    | Female Quick Coupler     | 1    |
| 5         | RS6620A38  | Air Hose                 | 1    |
| 6         | RS6620A71  | Lift Control Valve       | 1    |
| 7         | RS12307A   | Hyd. Cartridge           | 1    |
| 8         |            | Handle Socket            | 1    |
| 9         | RS12302    | Handle Assembly          | 1    |
| 10        | RS12310A   | Hyd. Cartridge           | 1    |
| 11        |            | Snap Pin                 | 2    |
| 12        |            | Pin                      | 2    |
| 13a       | RS12301A   | Filler Plug (791-2300A)  | 1    |
| 13b       | RS232013B  | Filler Screw (791-2320A) | 1    |
| 14        |            | Reservoir                | 1    |
| 15        | RS6620A37N | Air Motor                | 1    |
| 16        |            | Pump Cylinder            | 1    |
| 17        |            | Washer                   | 1    |
| 18        |            | Pump Piston              | 1    |

**ALSO AVAILABLE:** RS2300ASK hydraulic repair kit for 791-2300A includes 2, 13A, and A through S.

RS2320ASK hydraulic repair kit for 791-2320A includes 2, 13B, and A-T.

RSAMSK air motor seal kit.

Only Index Numbers identified by Part Numbers are available individually.



# OPERATING MANUAL & PARTS LIST FOR AIR/MANUAL HYDRAULIC BOTTLE JACKS

## TROUBLESHOOTING

| <u>Symptom</u>  | <u>Possible Cause</u>                                     | <u>Corrective Action</u>  |
|---|---|---|
| Will not lift to full height<br>Will not lower completely                         | Reservoir may overflow                                    | With jack upright, remove filler screw or filler plug, open release and SLOWLY push jack ram into lowered position. Any excess oil will run out fill hole. Replace filler screw or filler plug when oil has stopped flowing.  |
| Will not lift load<br>Will not lift full height<br>Pump feels "spongy" under load | The jack could be low on oil<br><br>Air trapped in system | With jack in upright position and ram fully lowered, remove filler screw or filler plug and fill reservoir with clean hydraulic fluid. Correct oil level is reached when oil level is at bottom edge of fill hole.<br>With ram fully retracted, remove oil filler screw/plug to let pressurized air escape, reinstall oil filler screw/plug |
| Will not lift load<br>Handle raises under load<br>Handle lowers under load        | Valve may not be closing                                  | Make certain release valve is closed. Starting with ram in fully lowered position, SLOWLY raise ram out to full height. Open release valve and push ram down into lowered position. Jack should now operate properly.   |
| Will not lift load  | Overload condition<br>Air supply inadequate               | Remedy overload condition.<br>Ensure adequate air supply of 7.8 CFM @ 90 - 175psi.  |

## SPECIFICATIONS

| <b>Model No.</b>        | <b>791-2300</b>   | <b>791-2320</b>   |
|-------------------------|---|---|
| Capacity                | 12 Ton  | 20 Ton  |
| Minimum Height          | 9-1/2"  | 9-1/2"  |
| Maximum Height          | 18-5/8"   | 18-1/4"   |
| Base size (L x W)       | 8-1/8" x 5-7/8"   | 8-7/8" x 6-3/4"   |
| Extension Screw         | 3-1/8"  | 3-1/8"  |
| Hydraulic Lift:         | 6"  | 5-5/8"  |
| Recommended Air Supply: | 7.8 CFM @ 90 - 175psi<br>(at least 3 h.p. is recommended) | 7.8 CFM @ 90 - 175psi<br>(at least 3 h.p. is recommended) |

# OPERATING MANUAL & PARTS LIST FOR AIR/MANUAL HYDRAULIC BOTTLE JACKS

## NAPA PROFESSIONAL LIFTING EQUIPMENT WARRANTY STATEMENT

### Warranty Handling Procedures & Guidelines Balkamp/NAPA Professional Lifting Equipment

Balkamp warrants that all jacks and service related equipment will be free from defects in material and workmanship for a period of 2 years following the original date of purchase. This warranty is extended to the original retail purchaser only. If any jack or service-related item proves to be defective during this period, it will be replaced or repaired, at our option, without charge. This warranty does not apply to damage from accident, overload, misuse or abuse, nor does it apply to any equipment which has been altered or used with special attachments other than those recommended. This warranty does not cover repairs made by anyone who is not a BALKAMP/NAPA Professional Lifting Equipment Authorized Repair Center.

The following items possess an over-the-counter exchange warranty for 2 years. This allegedly defective product must be returned, accompanied by a receipt showing proof-of-purchase to Balkamp, via the NAPA AUTO PARTS store.

- **Bottle Jacks:** **791-2230, 791-2240, 791-2260, 791-2270, 791-2280, 770-2290, 791-2330, 791-6010, 791-6020**
- **Floor Jacks:** **791-6402, 791-6420, 791-6425**
- **Stands:** **791-5050, 791-5160, 791-5220, 791-5240, 791-5250**
- **Engine Stand:** **791-5070**
- **Transmission Adapter:** **791-7130**
- **Wheel Dolly:** **791-5260**

All other jacks or service-related equipment will be replaced or repaired at Balkamp's option during the 2 year warranty period.

During the 2 year warranty period, all alleged defective product and/or part must be shipped, freight prepaid, along with proof of date-of-purchase, to your nearest Balkamp/NAPA Professional Lifting Equipment Authorized Warranty Center. Be certain to include your name, address and phone number along with proof-of-purchase information, and a brief description of the alleged defect. The product will be returned to the customer, freight prepaid.

Many alleged defectives may simply be handled by calling your nearest Service Center for parts. See next page for a listing of authorized warranty service centers.

In no event shall Balkamp be liable for incidental or consequential damages. The liability on any claim for loss or damage arising out of the sale, resale or use of a jack or related service equipment, shall in no event exceed the purchase price. SOME STATES DO NOT ALLOW THE EXCLUSION OR LIMITATION OF INCIDENTAL OR CONSEQUENTIAL DAMAGES, SO THE ABOVE LIMITATION MAY NOT APPLY TO YOU.

**THIS WARRANTY IS THE SOLE AND EXCLUSIVE WARRANTY PROVIDED IN CONNECTION WITH THE SALE OF BALKAMP/NAPA PROFESSIONAL LIFTING EQUIPMENT. ALL OTHER WARRANTIES, INCLUDING ANY IMPLIED WARRANTIES OF MERCHANTABILITY OR FITNESS FOR A PARTICULAR PURPOSE, ARE EXCLUDED.**

**THIS WARRANTY GIVES YOU SPECIFIC LEGAL RIGHTS AND YOU MAY ALSO HAVE OTHER RIGHTS WHICH VARY FROM STATE TO STATE.**

**Modelo # 791-2300 – 12 toneladas de capacidad**

**Modelo # 791-2320 – 20 toneladas de capacidad**

**ESTE MANUAL DE OPERACIÓN CONTIENE INFORMACIÓN IMPORTANTE SOBRE SEGURIDAD. LEA CUIDADOSAMENTE Y COMPRENDA A FONDO TODA LA INFORMACIÓN ANTES DE TRABAJAR CON LA HERRAMIENTA. GUARDE ESTE MANUAL PARA CONSULTA POSTERIOR.**

**RESPONSABILIDAD DEL PROPIETARIO/USUARIO**

El propietario y/o usuario deben comprender perfectamente las instrucciones de operación y las advertencias hechas por el fabricante antes de usar este sistema de levantamiento. El personal que use y opere este equipo deberá ser cuidadoso, competente, bien capacitado y calificado de manera que pueda operarlo de manera segura y usarlo correctamente cuando trabaje con vehículos motorizados y sus componentes. Debe ponerse énfasis en la información de aviso y ésta debe ser comprendida claramente.

Si el operador no conoce bien el idioma inglés, el comprador y/o propietario deberá leer las instrucciones y advertencias al operador en el idioma de éste y conversar sobre ellas hasta que esté seguro de que el operador comprende su contenido.

El propietario y/o usuario debe estudiar las instrucciones del fabricante y guardarlas para consulta posterior. El propietario y/o el usuario tienen la responsabilidad de asegurar que las etiquetas de advertencia y los manuales permanecen legibles e intactos. El fabricante pone a disposición de los clientes etiquetas y documentación de reemplazo.

**INSPECCIÓN**

Debe hacerse una inspección visual antes de cada utilización del gato, verificando cualquiera situación anormal tal como piezas dañadas, sueltas o faltantes. Cada gato debe ser inspeccionado inmediatamente por un taller de reparaciones del fabricante, si es sometido a una carga o choque anormal. Todo gato que parezca estar dañado de cualquier manera que sea, que está muy gastado o funciona anormalmente DEBE SER RETIRADO DEL SERVICIO hasta que se hagan las reparaciones que corresponda por un taller de reparaciones autorizado por el fabricante. Se recomienda una inspección anual del gato por un taller de reparaciones autorizado por el fabricante y que las piezas defectuosas, las calcomanías y las etiquetas de advertencia sean remplazadas por piezas y elementos especificados por el fabricante.

El fabricante pone a disposición de los clientes una lista de instalaciones de reparaciones autorizadas..

**! AVERTENCIA**

**ESTE DISPOSITIVO SOLO ES PARA LEVANTAMIENTO. INMEDIATAMENTE DESPUÉS DE HABER LEVANTADO EL VEHÍCULO, SOPÓRTELO CON LOS ELEMENTOS FIJOS QUE CORRESPONDA.**

**NO SOBRECARGUE EL SISTEMA DE LEVANTAMIENTO. LA SOBRECARGA PUEDE DAÑAR EL GATO O PROVOCAR UNA FALLA DE FUNCIONAMIENTO.**

**LEVANTE EL VEHÍCULO SOLAMENTE A PARTIR DE LOS PUNTOS ESPECIFICADOS POR SU FABRICANTE.**

**CENTRE LA CARGA EN LOS PUNTOS DEL VEHÍCULO ESPECIFICADOS POR SU FABRICANTE**

**ESTE LEVANTADOR ESTÁ DISEÑADO PARA USARSE SOLAMENTE SOBRE SUPERFICIES DURAS Y A NIVEL, CAPACES DE SOPORTAR LA CARGA. SI SE TRABAJA SOBRE SUPERFICIES NO DURAS NI NIVELADAS PUEDE OCASIONAR INESTABILIDAD DEL GATO Y PRODUCIRSE UNA PÉRDIDA DE LA CARGA.**

**NO SE DEBEN HACER MODIFICACIONES AL GATO.**

**NO SE DEBE CONECTAR DE NINGUNA MANERA LA VÁLVULA DE CONTROL DE OPERACIÓN MANUAL DEL SISTEMA PARA OPERARLA DE MANERA REMOTA.**

**LEA, ESTUDIE Y COMPRENDA EL MANUAL DE INSTRUCCIONES ADJUNTO A ESTE GATO ANTES DE HACERLO FUNCIONAR. NO TENER EN CUENTA ESTAS ADVERTENCIAS PUEDE RESULTAR EN PÉRDIDA DE CARGA, DAÑOS AL GATO, Y/O AVERÍA QUE PUEDE OCASIONAR DAÑOS A LA PROPIEDAD O HERIDAS E INCLUSO MUERTE.**

**! AVERTENCIA**

**PARA SU SEGURIDAD Y PARA PREVENIR ACCIDENTES:**

**Use este elevador de servicio para levantamiento SOLAMENTE.**

**Soporte siempre los vehículos con gatos fijos.**



# MANUAL DE OPERACIONES Y LISTA DE PIEZAS PARA GATOS HIDRÁULICOS DE TORNILLO DE SISTEMA AIRE/MANUAL

## ANTES DE USAR

1. Abra la válvula de descarga (en sentido contrario a las manecillas del reloj no más de 1/2 vuelta completa).
2. Con el pistón totalmente plegado, encuentre el tornillo o tapón de relleno de aceite y quítelo. Ponga la manija en el manguito de la manija y bombee 6 a 8 veces. Esto ayudará a evacuar el aire presurizado que pueda haber en el estanque. Asegúrese de que el nivel de aceite está justo debajo del orificio del tapón o tornillo de llenado de aceite. Vuelva a poner el tapón o tornillo.
3. Vacíe una cucharilla de lubricante de buena calidad para herramientas neumáticas en la entrada de aire de la válvula de control del gato (véase la ilustración). Conecte al suministro de aire y haga funcionar durante 3 segundos a fin de distribuir el lubricante uniformemente.
4. Este producto acepta el popular niple NPT de 1/4". Cuando instale el niple NPT de 1/4" que usted prefiere, no olvide usar compuesto o cinta para roscas al hacer mantenimiento de las conexiones.
5. Si el sistema es accionado por aire comprimido, asegúrese de que la fuente de aire puede dedicar 7.8 CFM @ 90 - 175 psi a cada gato en operación. Para garantizar una operación fiable y sin fallas se recomienda un secador de aire y un lubricador por aceite.

## MANTENIMIENTO

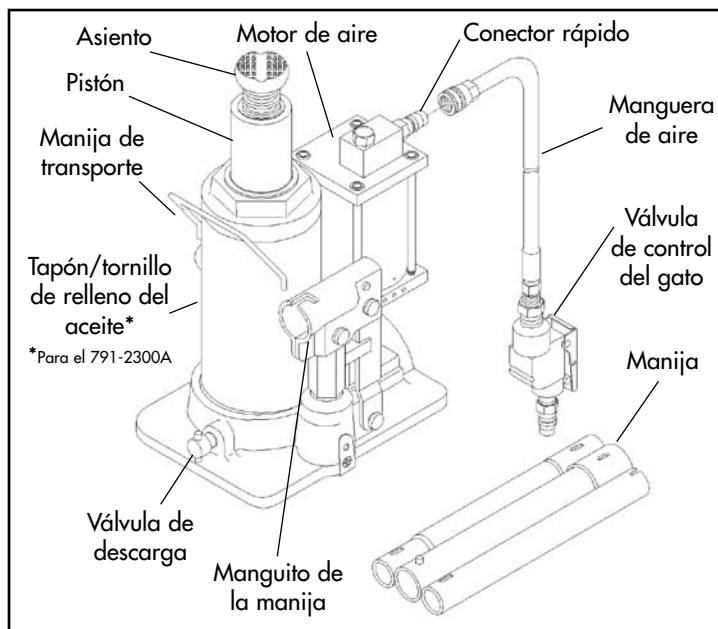
1. Para añadir aceite, ponga el gato en posición vertical con el pistón de bomba hacia abajo. Saque el tapón de llenado y añada aceite para gato hidráulico al nivel del orificio de llenado. Asegúrese de que el aceite está limpio y cuide de que no haya suciedad en el gato. **NO USE LÍQUIDO DE FRENOS, DE AMORTIGUADOR, NI DE TRANSMISIÓN.**
2. Lubrique periódicamente los puntos indicados con aceite SAE 30. Asegúrese de que el gato está siempre limpio.
3. De vez en cuando verifique si hay corrosión en el tornillo de extensión y el pistón de la bomba. No olvide lubricar estas piezas para prevenir la corrosión.
4. Cuando el gato no se esté usando, póngalo en posición vertical en un lugar seco con el pistón de la bomba y el tornillo de extensión en la posición más baja y la válvula de descarga cerrada.

## INSTRUCCIONES DE OPERACIÓN

1. **Para elevar la carga**, cierre la válvula de descarga girando firmemente la manija en el sentido de las agujas del reloj (sin apretar excesivamente). Ponga con cuidado el gato bajo la carga y bombee con la manija para elevar la carga a la altura deseada.

2. Use la manija suministrada con este producto o una manija de reemplazo autorizada para garantizar un funcionamiento adecuado de la válvula de descarga. No use un alargador en la manguera de aire ni la manija de operación. Cuando se use el gato para levantar un vehículo, hágase solamente a partir de los puntos de levantamiento recomendados por el fabricante y según las pautas que se indican en su manual del propietario. Use siempre gatos fijos para soportar la carga inmediatamente después de haber levantado la carga.
3. Inserte y fije la manija en el manguito correspondiente. Bombee la manija o presione la válvula de control del gato hasta que el asiento toque la carga. Para terminar la operación con aire, basta con dejar de presionar la válvula de control del gato. **NUNCA SE DEBEN USAR ALAMBRES NI CONECTAR NI DETENER EL FUNCIONAMIENTO DE LA VÁLVULA DE CONTROL MÁS QUE MEDIANTE LA MANO DEL OPERADOR.**
4. Eleve la carga a la altura deseada y transfírela inmediatamente a dispositivos de soporte debidamente especificados como, por ejemplo, gatos fijos.
5. **Para bajar la carga**, gire suavemente la manija del gato en sentido contrario a las agujas del reloj sólo lo suficiente para abrir la válvula de descarga. Si se abre más la válvula, la carga desciende más rápido. No se debe cerrar la válvula de descarga cuando se baja la carga.

**CUIDADO:** Asegúrese de que todo el personal y las herramientas están alejados antes de bajar la carga. Cuando se baja la carga, se generan peligrosas cargas de choque dinámicas al abrir y cerrar rápidamente la válvula de descarga. La sobrecarga resultante puede producir una falla del sistema hidráulico, lo que puede traducirse en accidentes a las personas y/o daños a la propiedad.



# MANUAL DE OPERACIONES Y LISTA DE PIEZAS PARA GATOS HIDRÁULICOS DE TORNILLO DE SISTEMA AIRE/MANUAL

## DETECCIÓN Y RESOLUCIÓN DE AVERÍAS

| <u>Síntoma</u>  | <u>Posible causa</u>   | <u>Medida correctiva</u>   |
|---|--|--|
| No levanta hasta la altura máxima<br>No baja completamente  | Es posible que el estanque esté lleno en exceso                                    | Con el gato en posición vertical, quitar el tornillo o el tapón de relleno, abrir la descarga y LENTAMENTE empujar el pistón hacia la posición de abajo. Todo el aceite excedente correrá fuera del orificio de relleno. Vuelva a poner el tornillo o el tapón de relleno cuando el aceite deje de fluir.  |
| No levanta la carga<br>No levanta hasta la altura máxima<br>Sensación "esponjosa" de la bomba bajo la presión de la carga | Es posible que el aceite del gato esté bajo<br><br>Aire en el interior del sistema | Con el gato en posición vertical y el pistón completamente bajado, quitar el tornillo o la tapa de relleno y llenar el estanque con líquido hidráulico limpio. El nivel correcto de aceite se alcanza cuando el nivel del aceite se encuentra al borde inferior del orificio de relleno.<br>Con el pistón completamente retractado, quitar el tornillo o tapón de relleno de aceite para que el aire presurizado pueda escapar, y volver a poner el tornillo o tapón de relleno. |
| No levanta la carga<br>La manija se levanta bajo el peso de la carga<br>La manija baja bajo el peso de la carga           | Es posible que la válvula no se cierre   | Asegúrese de que la válvula de descarga está cerrada. Comenzando con el pistón en la posición completamente bajada, suba LENTAMENTE el pistón hasta la altura máxima. Abra la válvula de descarga y presione el pistón hacia la posición de abajo. Ahora el gato deberá operar correctamente.  |
| No levanta la carga   | Problema de sobrecarga<br>Suministro de aire inadecuado                            | Resolver el problema de sobrecarga.<br>Asegurar que hay un suministro de aire adecuado de 7.8 CFM @ 90 - 175psi.   |

## ESPECIFICACIONES

| <u>Modelo No.</u>               | <u>791-2300</u>  | <u>791-2320</u>  |
|---------------------------------|--|--|
| Capacidad                       | 12 Ton   | 20 Ton   |
| Altura mínima                   | 9-1/2"   | 9-1/2"   |
| Altura máxima                   | 18-5/8"  | 18-1/4"  |
| Dimensiones de la base (L x W)  | 8-1/8" x 5-7/8"  | 8-7/8" x 6-3/4"  |
| Tornillo de extensión           | 3-1/8"   | 3-1/8"   |
| Gato hidráulico:                | 6"   | 5-5/8"   |
| Suministro de aire recomendado: | 7.8 CFM @ 90 - 175psi<br>(se recomienda 3 h.p. por lo menos) | 7.8 CFM @ 90 - 175psi<br>(se recomienda 3 h.p. por lo menos) |



# MANUAL DE OPERACIONES Y LISTA DE PIEZAS PARA GATOS HIDRÁULICOS DE TORNILLO DE SISTEMA AIRE/MANUAL

## ENUNCIADO DE LA GARANTÍA NAPA - EQUIPO PROFESIONAL PARA LEVANTAMIENTO

### Instrucciones y procedimientos de garantía Equipo profesional para levantamiento / Balkamp - NAPA

Balkamp garantiza que todos los gatos hidráulicos y otros equipos parecidos de servicio, estarán exentos de cualquier falta de material o de mano de obra durante un periodo de 2 años, a partir de la fecha de la compra original. Esta garantía se aplica solamente al comprador original (detallista). Si cualquier gato u otro equipo parecido falta durante este periodo, lo reemplazaremos o lo repararemos, a nuestra elección y sin costo. Esta garantía no se aplica a los daños provocados por a un accidente, una sobrecarga, una utilización mala o excesiva; esta garantía tampoco se aplica a cualquier pieza de equipo que ha sido modificada o utilizada con accesorios especiales, excepto los accesorios recomendados. Esta garantía no cubre las reparaciones ejecutadas por cualquier centro de reparaciones que no sea un centro autorizado de reparaciones Balkamp - NAPA, para el equipo profesional de levantamiento

Los artículos siguientes tienen una garantía de cambio directo en la tienda por 2 años. El producto presumiblemente defectuoso, debe devolverse a Balkamp, provisto de un recibo, demostrando la prueba de la compra, por medio de una tienda de piezas automóviles NAPA.

- **Gatos-botella:** **791-2230, 791-2240, 791-2260, 791-2270, 791-2280, 770-2290, 791-2330, 791-6010, 791-6020**
- **Gatos utilitarios** **791-6402, 791-6420, 791-6425**
- **Stands:** **791-5050, 791-5160, 791-5220, 791-5240, 791-5250**
- **Engine Stand:** **791-5070**
- **Transmission Adapter:** **791-7130**
- **Plataforma rodante para ruedas:** **791-5260**

Todos los otros gatos hidráulicos y otros equipos parecidos de servicio serán reemplazados o reparados, a la elección de Balkamp, durante el periodo de garantía de 2 años.

Durante el periodo de garantía de 2 años, cualquier producto y / o pieza presumiblemente defectuoso debe devolverse, libre de porte, provisto con una prueba de la fecha de compra, al centro autorizado más cercano, para la garantía Balkamp - NAPA, por el equipo profesional de levantamiento.

Asegúrese de incluir su nombre, dirección y número de teléfono, incluyendo la información de la prueba de la compra y una descripción breve de la presumible defectuosidad. El producto será devuelto al consumidor, libre de porte.

Muchas presumibles defectuosidades pueden ser resueltas, llamando a su centro local de servicio para piezas. Lea la página siguiente para la lista de los centros de servicio autorizados para la garantía.

En cualquier caso, Balkamp no será responsable de los daños fortuitos o indirectos. La responsabilidad de cualquier reclamación por pérdidas o daños debidos a esta venta, reventa o utilización de este gato o de cualesquiera otros equipos parecidos, no excederá el precio de compra. **ALGUNOS ESTADOS O PROVINCIAS NO PERMITEN LA EXCLUSIÓN O LA LIMITACIÓN DE LOS DAÑOS FORTUITOS O INDIRECTOS, POR LO QUE ES POSIBLE QUE ESTA LIMITACIÓN NO SEA APLICADA A UD.**

**ESTA GARANTÍA ES LA GARANTÍA ÚNICA Y EXCLUSIVA, RELACIONADA CON LA COMPRA DEL EQUIPO PROFESIONAL PARA LEVANTAMIENTO BALKAMP - NAPA. TODAS LAS OTRAS GARANTÍAS, INCLUYENDO TODAS LAS OTRAS GARANTÍAS IMPLÍCITAS DE COMERCIALIZACIÓN O DE FIABILIDAD PARA UN PROPÓSITO PARTICULAR, ESTÁN EXCLUIDAS.**

**ESTA GARANTÍA LE DA DERECHOS LEGALES ESPECÍFICOS, Y, UD. TAMBIÉN PUEDE TENER OTROS DERECHOS QUE VARÍAN DE ESTADO EN ESTADO O DE PROVINCIA EN PROVINCIA.**

## **CRICS-BOUTEILLES AÉROHYDRAULIQUES MANUELS**

**Modèle no 791-2300 – Capacité de 12 tonnes**

**Modèle no 791-2320 – Capacité de 20 tonnes**

**CE MANUEL DE FONCTIONNEMENT  
COMPREND D'IMPORTANTES  
RENSEIGNEMENTS DE SÉCURITÉ. LIRE  
ATTENTIVEMENT ET COMPRENDRE TOUS  
LES RENSEIGNEMENTS AVANT D'UTILISER  
L'OUTIL. CONSERVER CE MANUEL POUR  
CONSULTATION FUTURE.**

### **RESPONSABILITÉS DU PROPRIÉTAIRE/DE L'UTILISATEUR**

Le propriétaire ou l'utilisateur doit connaître les consignes d'utilisation et les mises en garde du fabricant avant d'utiliser ce cric-bouteille. Le personnel qui utilise et fait fonctionner cet appareil doit être vigilant, compétent, qualifié et apte à utiliser de manière sécuritaire et adéquate lors de l'entretien de véhicules à moteur et de leurs composants. Les renseignements de mise en garde doivent être mis en évidence et compris.

Si l'opérateur n'est pas à l'aise en anglais, les directives et les mises en garde du fabricant doivent lui être lues dans sa langue maternelle et une discussion doit suivre entre l'opérateur et l'acheteur/le propriétaire pour s'assurer qu'il en comprend le contenu.

Le propriétaire ou l'utilisateur doit étudier les directives du fabricant et les conserver pour consultation future. Le propriétaire ou l'utilisateur est responsable de maintenir la lisibilité et le bon état des étiquettes de mise en garde et des manuels d'entretien. Des étiquettes et des documents de rechange sont disponibles auprès du fabricant.

### **INSPECTION**

Une inspection visuelle doit être effectuée avant chaque utilisation du cric-bouteille afin de détecter des situations anormales comme des pièces endommagées, lâches ou manquantes. Si le cric est soumis à une charge ou à un impact anormal, il doit être immédiatement inspecté par un établissement de réparation du fabricant. Tout cric qui semble endommagé de quelque façon que ce soit, qui paraît sérieusement usé ou qui ne fonctionne pas normalement DOIT ÊTRE MIS HORS SERVICE jusqu'à ce que les réparations nécessaires aient été apportées par un établissement de réparation agréé du fabricant. Il est recommandé qu'un établissement de réparation agréé procède à une inspection annuelle du cric-bouteille et que toute pièce, décalcomanie ou étiquette de mise en garde défectueuse soit remplacée par des pièces désignées par le fabricant.

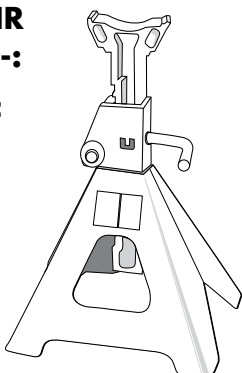
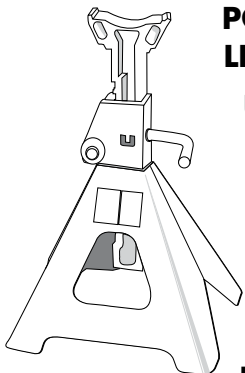
Une liste des établissements de réparation agréés est disponible auprès du fabricant.

## **! AVERTISSEMENT**

**POUR VOTRE SÉCURITÉ ET  
POUR PRÉVENIR  
LES BLESSURES:-**

**Utiliser le cric  
SEULEMENT  
à des fins  
de levage.**

**Toujours  
asseoir le  
véhicule sur  
des chandelles.**



## **! AVERTISSEMENT**

**CECI EST UN APPAREIL DE LEVAGE SEULEMENT. UNE FOIS LE LEVAGE TERMINÉ,  
UTILISER DES APPUIS APPROPRIÉS POUR SOUTENIR LE VÉHICULE.**

**NE PAS SURCHARGER. UNE SURCHARGE PEUT ENDOMMAGER LE CRIC OU  
ENTRAÎNER SON MAUVAIS FONCTIONNEMENT.**

**SOULEVER LE VÉHICULE EN PRENANT APPUI AUX ENDROITS DÉSIGNÉS PAR  
LE FABRICANT DU VÉHICULE SEULEMENT.**

**CENTRER LA CHARGE AUX ENDROITS DU VÉHICULE DÉSIGNÉS PAR LE  
FABRICANT.**

**CE CRIC EST CONÇU POUR ÊTRE UTILISÉ SUR DES SURFACES DURES ET PLANES  
CAPABLES DE SUPPORTER LA CHARGE. L'UTILISATION SUR D'AUTRES TYPES  
DE SURFACES PEUT RENDRE LE CRIC INSTABLE ET ENTRAÎNER LE GLISSEMENT  
DE LA CHARGE.**

**AUCUNE MODIFICATION NE DOIT ÊTRE APPORTÉE AU CRIC.**

**NE PAS ATTACHER, NI BLOQUER LA SOUPAPE MANUELLE DE COMMANDE DE  
LEVAGE NI FAIRE EN SORTE QU'ELLE PUISSE ÊTRE ACTIONNÉE À DISTANCE.**

**LIRE, ÉTUDIER ET COMPRENDRE LE MANUEL D'INSTRUCTIONS DU CRIC  
AVANT DE L'UTILISER. LE DÉFAUT D'OBSERVATION DE CES MISES EN GARDE  
PEUT ENTRAÎNER LE GLISSEMENT DE LA CHARGE, DES DOMMAGES AU  
CRIC OU DES DOMMAGES MATÉRIELS ET DES BLESSURES GRAVES OU  
MORTELLLES.**

## AVANT L'UTILISATION

1. Ouvrir le détendeur de pression (pas plus d'un demi-tour, dans le sens contraire des aiguilles d'une montre).
2. Une fois le vérin entièrement rétracté, repérer et enlever le bouchon/la vis de remplissage d'huile. Insérer la poignée dans le manchon et pomper de six à huit coups. Cette opération permet de libérer l'air sous pression emprisonné dans le réservoir. S'assurer que le niveau d'huile se situe tout juste sous le trou du bouchon/de la vis de remplissage d'huile. Remettre en place le bouchon/la vis de remplissage d'huile.
3. Verser une cuillerée à thé d'un lubrifiant pour outil pneumatique de bonne qualité dans la bouche d'alimentation en air de la soupape de commande de levage. (Voir l'illustration) Brancher à l'alimentation en air et faire fonctionner pendant trois secondes afin de répartir uniformément le lubrifiant.
4. Il est possible d'adapter le très répandu raccord fileté de 1/4 po (6,3 mm) NPT à cet appareil. Lors de l'installation du raccord fileté de 1/4 po (6,3 mm) NPT choisi, s'assurer d'utiliser du ruban ou du composé pour filetage au niveau des raccords.
5. Pour une utilisation pneumatique, s'assurer que votre alimentation en air peut fournir à chaque cric en fonction un débit de 7,8-pieds-cubes (220 L) par minute à une pression de 90 psi (6,2 bars) à 175 psi (12 bars). Pour s'assurer d'un fonctionnement fiable et exempt d'incidents, l'utilisation d'un sécheur d'air et d'une burette à huile est recommandée.

## ENTRETIEN

1. Pour ajouter de l'huile, mettre le cric à la verticale tout en maintenant le plongeur de pompe vers le bas. Enlever le bouchon de remplissage et ajouter de l'huile pour cric hydraulique jusqu'au niveau du trou de remplissage. S'assurer que l'huile est propre et ne pas laisser entrer de saletés dans le cric. **NE PAS UTILISER DE LIQUIDE DE FREIN, D'AMORTISSEUR OU DE TRANSMISSION.**
2. Lubrifier périodiquement les points indiqués avec de l'huile de grade SAE 30. Tenir le cric propre.
3. Vérifier occasionnellement la vis de rallonge et le plongeur de pompe pour détecter la présence de corrosion. Lubrifier ces pièces afin de prévenir la corrosion.
4. Lorsqu'il n'est pas utilisé, entreposer le cric à la verticale dans un endroit sec, maintenir le plongeur de pompe et la vis de rallonge à la position la plus basse et fermer le détendeur de pression.

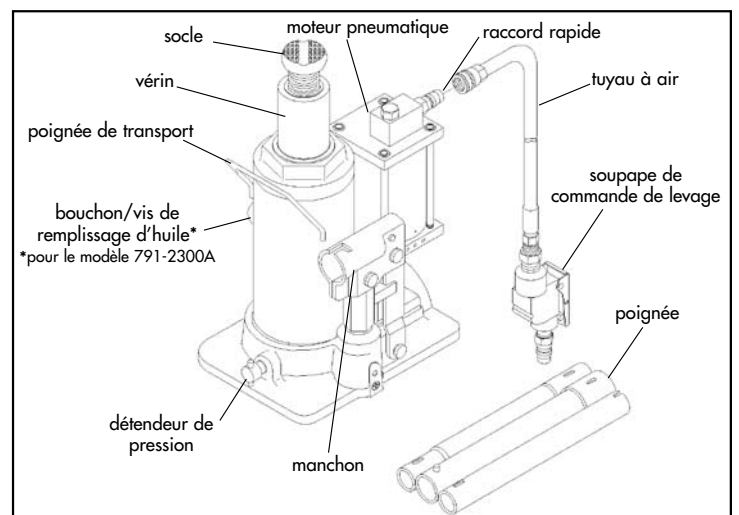
## CONSIGNES D'UTILISATION

1. **Pour soulever la charge**, fermer le détendeur en tournant fermement la poignée dans le sens des aiguilles

d'une montre (ne pas trop serrer). Placer soigneusement le cric sous la charge et pomper la poignée du cric pour soulever la charge à la hauteur désirée.

2. Utiliser la poignée fournie avec l'appareil ou une poignée de rechange approuvée pour actionner correctement le détendeur de pression. Ne pas utiliser une rallonge sur le tuyau à air ni sur la poignée. Lors du levage d'un véhicule, ne soulever qu'à partir des points de levage recommandés par le fabricant et conformément aux directives du manuel du propriétaire du véhicule. Toujours utiliser des chandelles pour soutenir la charge dès la fin du levage.
3. Insérer et assujettir la poignée dans le manchon. Pomper à l'aide de la poignée ou presser la soupape manuelle de commande de levage jusqu'à ce que le socle entre en contact avec la charge. Pour cesser l'opération, relâcher tout simplement la soupape manuelle de commande de levage. **NE PAS ATTACHER, NI BLOQUER LA SOUPE MANUELLE DE COMMANDE DE LEVAGE NI ENTRAVER DE QUELQUE MANIÈRE QUE CE SOIT SON ACTIVATION.**
4. Soulever la charge à la hauteur désirée puis la déposer sur des dispositifs d'appui adéquats et approuvés, tels que des chandelles.
5. **Pour descendre la charge**, faire tourner lentement la poignée du cric dans le sens contraire des aiguilles d'une montre jusqu'à ce que le détendeur de pression s'ouvre. Ouvrir davantage le détendeur de pression permet à la charge de descendre plus rapidement. Ne pas fermer le détendeur de pression lors de la descente de la charge.

**ATTENTION:-** S'assurer que tous les outils et le personnel aient libéré le secteur avant de descendre la charge. De dangereux effets de choc dynamiques se produisent lorsque le détendeur de pression est rapidement fermé ou ouvert lors de la descente de la charge. La surcharge ainsi produite peut entraîner une défaillance du système hydraulique et causer des blessures corporelles ou des dommages matériels.



## DÉPANNAGE

| <u>Symptôme</u>   | <u>Cause possible</u>   | <u>Mesure corrective</u>   |
|---|---|--|
| Ne soulève pas à la hauteur maximale<br>Ne descend pas complètement   | Le réservoir peut être trop plein   | Mettre le cric à la verticale, retirer le bouchon ou la vis de remplissage, ouvrir le détendeur de pression et pousser LENTEMENT le vérin du cric à la position basse. L'excédent d'huile s'échappera par le trou de remplissage. Remettre le bouchon ou la vis de remplissage quand l'huile ne coule plus.  |
| Ne soulève pas la charge<br>Ne soulève pas à la hauteur maximale<br>La pompe semble «-moelleuse-» avec une charge | Le cric peut manquer d'huile<br><br>De l'air peut être coincé dans le système | Mettre le cric à la verticale et le vérin à la position la plus basse, enlever le bouchon ou la vis de remplissage et remplir le réservoir avec du liquide hydraulique propre. La quantité adéquate d'huile est obtenue lorsque le niveau d'huile atteint la partie inférieure du trou de remplissage. Avec le vérin complètement rétracté, enlever la vis ou le bouchon de remplissage d'huile afin de laisser l'air sous pression s'échapper. Remettre le bouchon/la vis de remplissage. |
| Ne soulève pas la charge<br>La poignée monte avec une charge<br>La poignée descend avec une charge                | Le détendeur ne se ferme peut-être pas  | S'assurer que le détendeur de pression est fermé. En commençant avec le vérin à la position la plus basse, faire LENTEMENT monter le vérin jusqu'à la hauteur maximale. Ouvrir le détendeur de pression et pousser le vérin à la position basse. Le cric devrait maintenant fonctionner correctement.  |
| Ne soulève pas la charge  | Surcharge<br>Alimentation en air insuffisante                                 | Remédier à la situation de surcharge. Assurer une alimentation en air adéquate d'un débit de 7,8-pieds-cubes (220 L) par minute, à une pression de 90-psi (6,2 bars) à 175-psi-(12 bars).  |

## CARACTÉRISTIQUES

| <b>No de modèle</b>                  | <b>791-2300</b>   | <b>791-2320</b>   |
|--------------------------------------|---|---|
| Capacité                             | 12 tonnes   | 20 tonnes   |
| Hauteur minimale                     | 9 1/2 po (241 mm)   | 9-1/2 po (241 mm)   |
| Hauteur maximale                     | 18-5/8 po (473 mm)  | 18-1/4 po (463 mm)  |
| Dimension de la base (larg. x long.) | 8-1/8 po (206 mm) x 5-7/8 po (149 mm)   | 8-7/8 po (225 mm) x 6-3/4 po (171 mm)   |
| Vis de rallonge                      | 3-1/8 po (79 mm)  | 3-1/8 po (79 mm)  |
| Levage hydraulique:-                 | 6 po (152 mm)   | 5-5/8 po (143 mm)   |
| Alimentation en air recommandée:-    | 7,8-pieds-cubes (220 L) par minute à une pression de 90-psi (6,2 bars) à 175-psi (12 bars)<br>(une puissance minimale de 3 HP [2,2 kW] est recommandée) | 7,8-pieds-cubes (220 L) par minute à une pression de 90-psi (6,2 bars) à 175-psi (12 bars)<br>(une puissance minimale de 3 HP [2,2 kW] est recommandée) |

## ÉNONCÉ DE GARANTIE NAPA - ÉQUIPEMENT PROFESSIONNEL DE LEVAGE

Directives et procédures de garantie  
Équipement professionnel de levage / Balkamp - NAPA

Balkamp garantit que tous ses crics et autre équipement apparenté de service, sera libre de tout défaut de matériel et de main-d'œuvre durant une période de 2 ans, suivant la date de l'achat original. Cette garantie ne s'applique qu'à l'acheteur original d'un article acheté au détail. Si tout cric ou autre équipement apparenté devient défectueux durant cette période, il sera remplacé ou réparé, à notre choix, sans aucun frais. Cette garantie ne s'applique pas aux dommages dus à un accident, une surcharge, un mauvais usage ou un abus; cette garantie ne s'applique pas non plus à toute pièce d'équipement ayant été modifiée ou utilisée avec des accessoires spéciaux, autres que les accessoires recommandés. Cette garantie ne couvre pas les réparations exécutées par quelque centre de réparations, qui n'est pas un centre de réparations autorisé Balkamp - NAPA pour équipement professionnel de levage.

Les articles suivants possèdent une garantie d'échange direct en magasin, de 2 ans. Le produit présumé défectueux doit être retourné à Balkamp, muni d'un reçu démontrant la preuve d'achat, par le biais d'un magasin de pièces d'automobiles NAPA.

|                                      |  |
|--------------------------------------|--|
| <b>Crics-bouteille:</b>              | <b>791-2230, 791-2240, 791-2260, 791-2270, 791-2280, 770-2290<br/>791-2330, 791-6010, 791-6020</b> |
| <b>Crics utilitaires:</b>            | <b>791-6402, 791-6420, 791-6425</b>  |
| <b>Supports:</b>                     | <b>791-5050, 791-5160, 791-5220, 791-5240, 791-5250</b>  |
| <b>Support pour moteur:</b>          | <b>791-5070</b>  |
| <b>Adaptateur pour transmission:</b> | <b>791-7130</b>  |
| <b>Chariot porte-roues:</b>          | <b>791-5260</b>  |

Tous les autres crics et autre équipement apparenté de service seront remplacés ou réparés, au choix de Balkamp, durant la période de garantie de 2 ans.

Durant la période de garantie de 2 ans, tout produit et / ou pièce présumé défectueux doit être retourné, franc de port, muni d'une preuve de la date d'achat, au centre autorisé le plus proche pour la garantie Balkamp - NAPA, pour équipement professionnel de levage. Assurez-vous d'inclure votre nom, adresse et numéro de téléphone, incluant les renseignements de preuve d'achat, ainsi qu'une brève description de la présumée défectuosité. Le produit sera retourné franc de port au consommateur.

Plusieurs présumées défectuosités peuvent être réglées, en contactant votre centre de service pour pièces de votre localité. Consultez la page suivante, pour la liste des centres de service autorisés pour la garantie.

En aucun cas, Balkamp ne sera responsable de dommages fortuits ou indirects. La responsabilité de toute réclamation pour pertes ou dommages dus à cette vente, revente ou utilisation de ce cric ou de tout autre équipement apparenté, n'excédera en aucun cas le prix de l'achat. CERTAINS ÉTATS OU PROVINCES NE PERMETTENT PAS L'EXCLUSION OU LA LIMITATION DES DOMMAGES FORTUITS OU INDIRECTS; IL EST DONC POSSIBLE QUE LA LIMITATION CI-HAUT MENTIONNÉE, NE S'APPLIQUE PAS À VOUS.

**LA PRÉSENTE GARANTIE EST LA GARANTIE UNIQUE ET EXCLUSIVE, RELATIVE À L'ACHAT D'ÉQUIPEMENT PROFESSIONNEL DE LEVAGE BALKAMP - NAPA. TOUTES AUTRES GARANTIES, INCLUANT TOUTES AUTRES GARANTIES IMPLICITES DE VALIDITÉ MARCHANDE OU DE FIABILITÉ RELATIVES À UN BUT PARTICULIER, SONT EXCLUSES**

**CETTE GARANTIE VOUS CONFÈRE DES DROITS JURIDIQUES PARTICULIERS, AUXQUELS PEUVENT S'AJOUTER D'AUTRES DROITS, VARIANT SELON L'ÉTAT OU LA PROVINCE.**