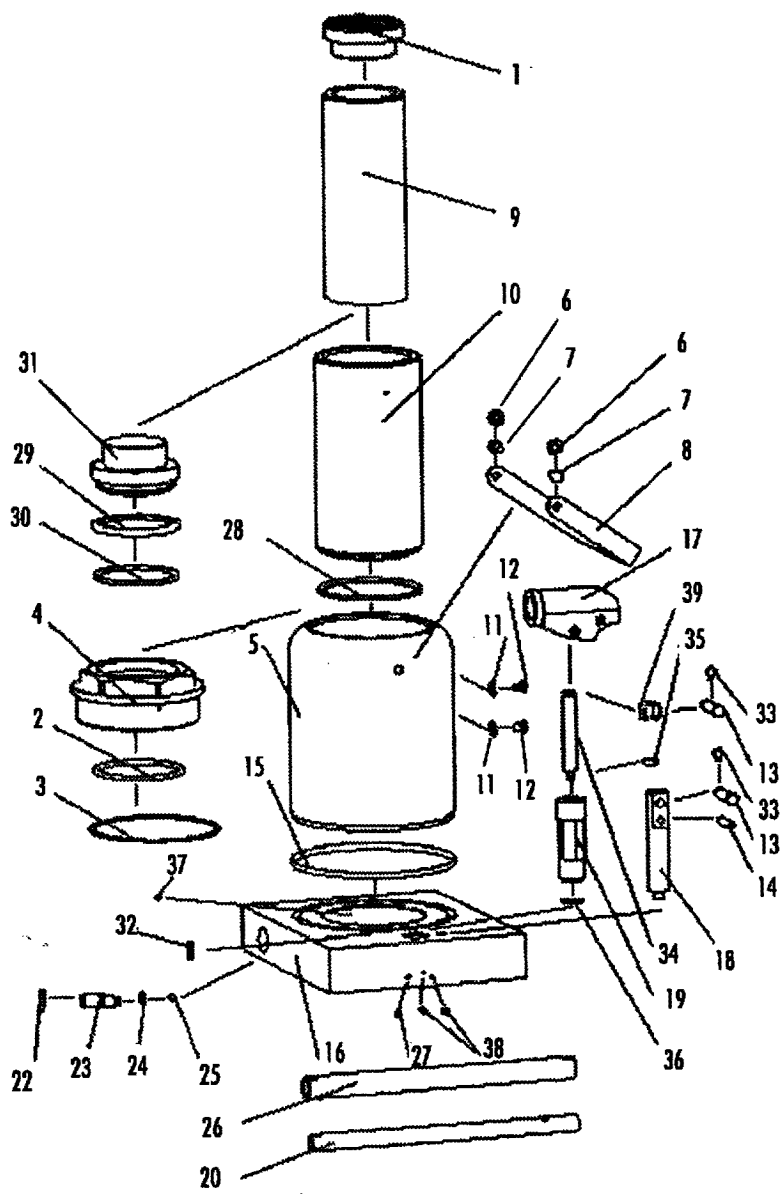


REF. NO.	PART NO.	DESCRIPTION
1		Top Nut
*2		O-Ring
*3		Seal of Nut
4		Nut
5		Reservior
6		Washer (2)
7		Bolt 8*1.4 (2)
8		Handle Grip
9		Piston Rod
10		Cylinder
11	Washer	
*12	RS01012A	Oil Plug Bolt (includes 11)
*13		Pin (2)
*14		Pin
*15		Seal
16		U-Washer
17		Handle Socket
18		Handle Linkage
19		Pump Base
20		Handle (back)
	RS01020A	Handle (includes 20 & 26)
21		Label
22	RS01022	Pin D4*22
23	RS01023A	Release Valve (includes #22 & 24)
*24		O-Ring
*25		Ball 8mm. Dia.
26		Handle (Front)
27		Bolt
*28		Base Plate Washer
*29		Bowl Washer
*30		O-Ring
31		Piston
*32	RS01032A	Filter Oil Tube
*33		Retaining Ring (2)
34	RS01034A	Pump Plunger (includes #35)
*35		Pump Seal
36		Washer
*37		Ball, 6mm Dia.
38		Bolt
39	RS01039	Plunger Cap

RS26040



*REPAIR KIT

Model	Capacity	Part No.
7916010	30 ton	RS010RK
7912270	50 ton	RS020RK
791-6020		