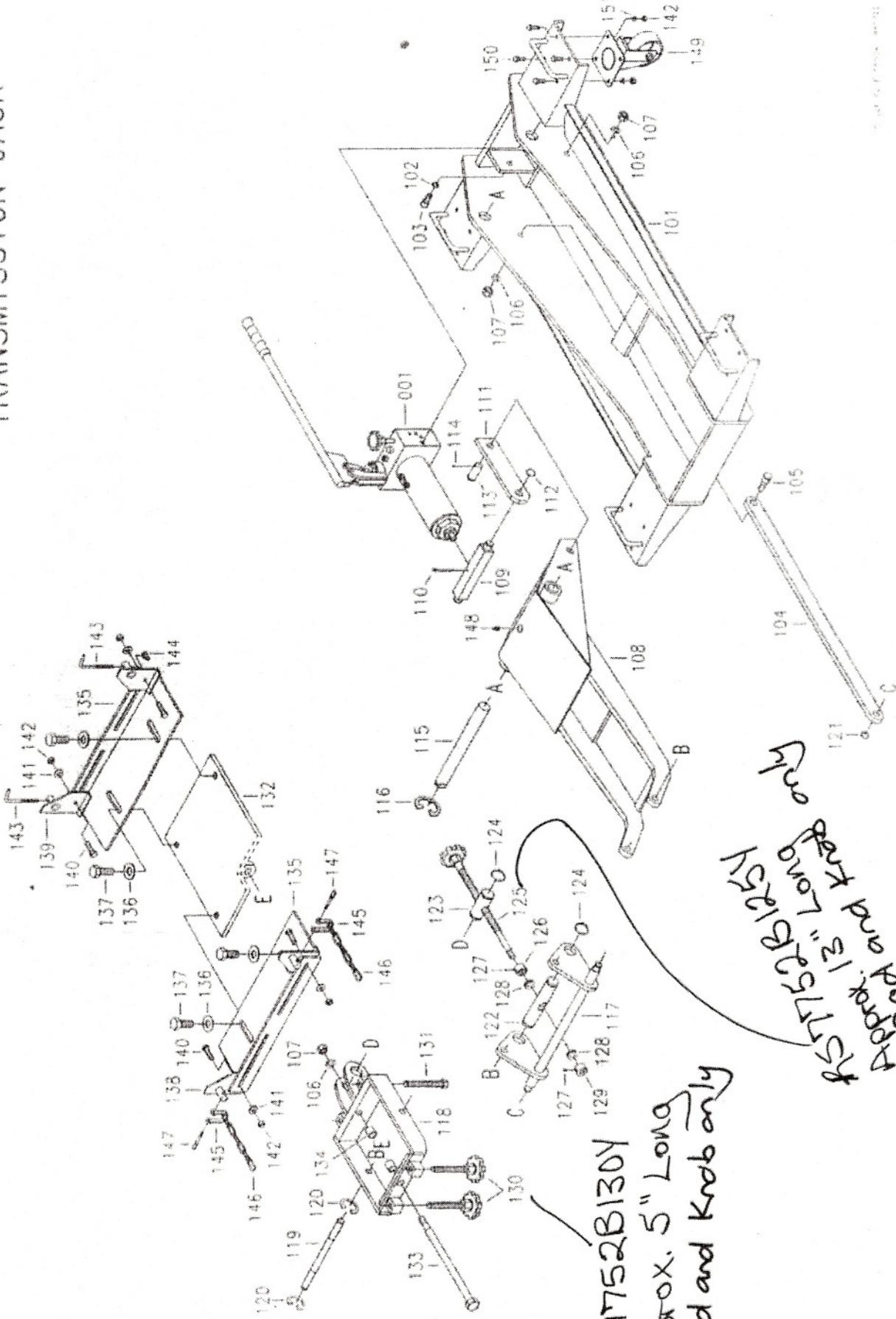


791-7180

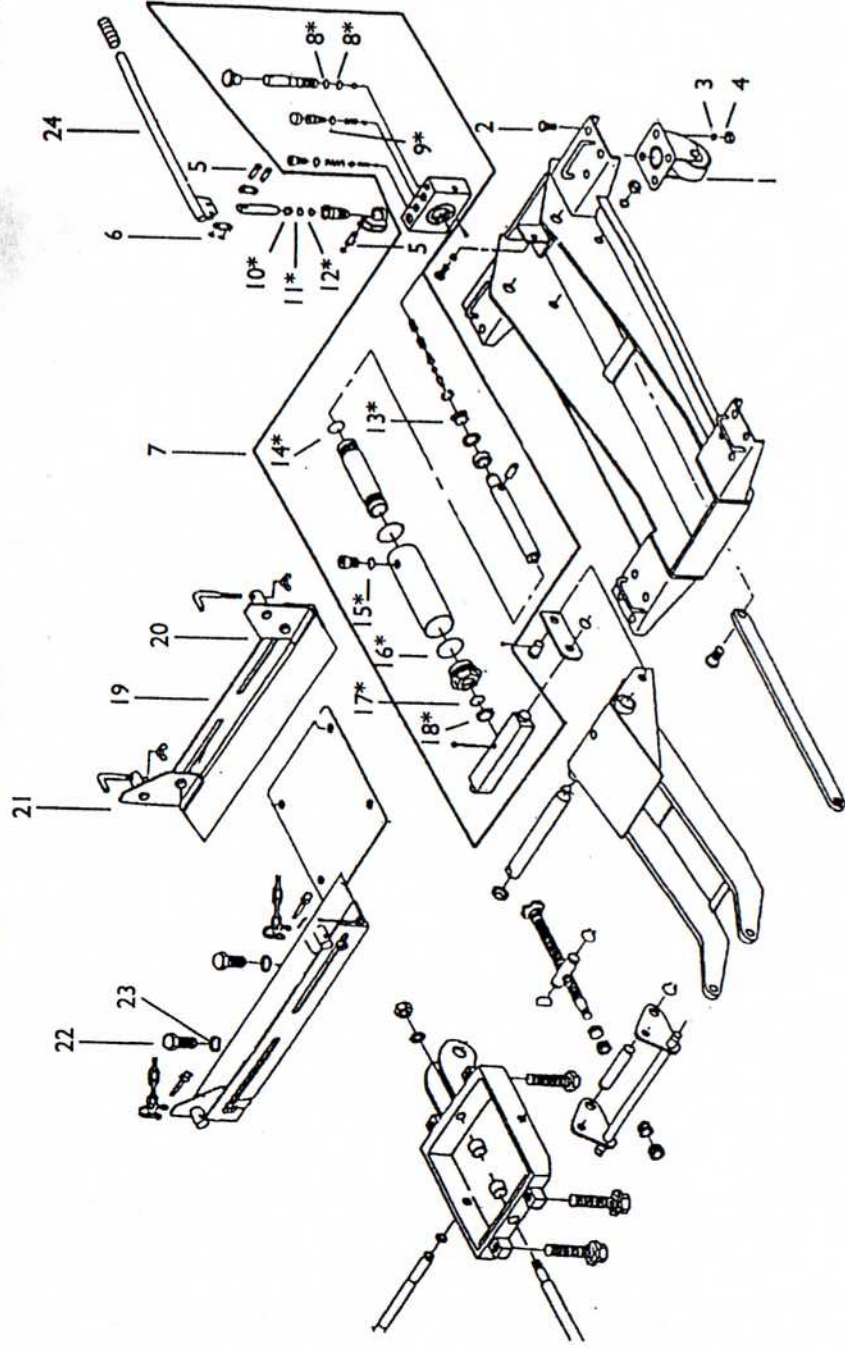
TRANSMISSION JACK



RS7752B130Y
 Approx. 5" Long
 Rod and Knob only

RS7752B125Y
 RS7752B123Y
 RS7752B122Y
 RS7752B121Y
 Approx. 1 1/2" Long
 Rod and knob only

Also available: RS7752B24 bearing kit includes 126, 127(a), 128(a), 129
 RS7752B122Y adjustment pin
 RS7752B123Y adjustment pin
 RS7752B124 snap ring



REF. NO.	PART NO.	DESCRIPTION	QTY.
1	7752B-01	4" Swivel Caster	4
2	7752B-02	3/8" x 3/4" HHCS	16
3	7752B-03	3/8" Split Lockwasher	16
4	7752B-04	3/8" Hex Nut	16
5	7752B-05	5/16" x 1-1/2" Clevis Groove Pin	3
6	7752B06	E-Clip	3
7	7752BCLBL	Hydraulic Unit	1
•	7752B-SK	Seal Kit (Includes Part #s 8-18)	1
8	•	O-Ring	2
9	•	O-Ring	1
10	•	Pump Wiper Seal	1
11	•	Pump Back Up Ring	1
12	•	O-Ring	1
13	•	Cup Seal	1
14	•	Cylinder Nut O-Ring	1
15	•	O-Ring	1
16	•	Cylinder Nut O-Ring	1
17	•	Cylinder Nut Wiper Ring	1
18	•	Cylinder Nut Oil Seal	1
19	7752B19Y	Saddle Side Angle	2
20	7752B20Y	Saddle Angle Finger (A)	2
21	7752B21Y	Saddle Angle Finger (B)	2
22	7752B22	5/8" x 1-1/2" HHCS	4
23	7752B23	3/4" Washer	4
24	7752B24BL	Handle	1

*Items marked with * on breakdown are available ONLY in 7752BSK Seal Kit

Also available: RS 7752BBK Bolt Kit
 RS 7752BRV Release Valve