



PROFESSIONAL LIFTING EQUIPMENT

MODEL # 791-7180 A 1-1/2 TON TRANSMISSION JACK



BEFORE USING THIS DEVICE, READ THIS MANUAL COMPLETELY AND THOROUGHLY, UNDERSTAND ITS OPERATING PROCEDURES, SAFETY WARNINGS AND MAINTENANCE REQUIREMENTS.

It is the responsibility of the device owner to make sure all personnel read this manual prior to using the device. It is also the responsibility of the device owner to keep this manual intact and in a convenient location for all to see and read. If the manual or product labels are lost or not legible, contact NAPA for replacements. If the operator is not fluent in English, the product and safety instructions shall be read to and discussed with the operator in the operator's native language by the purchaser/owner or his designee, making sure that the operator comprehends its contents.

SPECIFICATIONS

Capacity	1-1/2 Ton
Low Height	8-5/8"
Raised Height.....	36-5/8"
Length	43-1/2"
Chassis Width	26"
Saddle Tilt Fore and Aft	10° by 10°
Saddle Tilt Side to Side	+10°, 10°
Shipping Weight	350 lbs.

! WARNING



- Read, study, understand and follow all instructions before operating this device. • Inspect the jack before each use. Do not use jack if damaged, altered, modified, in poor condition, leaking hydraulic fluid, or unstable due to loose or missing components. Make corrections before using. • Consult the vehicle manufacturer for the transmission's center of balance. • Never use a power tool to activate the saddle tilt screws. Operate by hand or socket wrench. • Secure the transmission to the jack's saddle with the anchorage restraint system provided before raising or lowering the transmission. • Center load on saddle. Be sure setup is stable before working on vehicle. • Support the engine with a stand before unbolting the transmission from the engine. • Wear eye protection that meets ANSI Z87.1 and OSHA standards (users and bystanders). • Do not use jack beyond its rated capacity. Do not shock load. • Use only on a hard level surface. • Adequately support the vehicle before starting repairs. • Use of this product is limited to the removal, installation and transportation in the lowered position, of transmissions, transfer cases and transaxles. • Do not use any adapters unless approved or supplied by NAPA. • Do not use (or modify) this product for any other purpose than that for which it was designed without consulting the manufacturer's authorized representative. • Always lower the jack slowly and carefully. • This product contains chemicals known to the State of California to cause cancer and birth defects or other reproductive harm. *Wash hands thoroughly.* • Failure to heed these warnings may result in serious or fatal personal injury and/ or property damage.

Manufactured to comply with the ASME PASE-2014 Safety Standard.

OPERATING MANUAL & PARTS LIST FOR 791-7180 A

WARNING INFORMATION



This is the safety alert symbol. It is used to alert you to potential personal injury hazards. Obey all safety messages that follow this symbol to avoid possible injury or death.



WARNING: Indicates a hazardous situation which, if not avoided, could result in death or serious injury.



IMPORTANT: READ THESE INSTRUCTIONS BEFORE OPERATING

BEFORE USING THIS DEVICE, READ THIS MANUAL COMPLETELY AND THOROUGHLY, UNDERSTAND ITS OPERATING PROCEDURES, SAFETY WARNINGS AND MAINTENANCE REQUIREMENTS.

It is the responsibility of the owner to make sure all personnel read this manual prior to using the device. It is also the responsibility of the device owner to keep this manual intact and in a convenient location for all to see and read. If the manual or product labels are lost or not legible, contact NAPA for replacements. If the operator is not fluent in English, the product and safety instructions shall be read to and discussed with the operator in the operator's native language by the purchaser/owner or his designee, making sure that the operator comprehends its contents.

THE NATURE OF HAZARDOUS SITUATIONS

WARNING

The use of portable automotive lifting devices is subject to certain hazards that cannot be prevented by mechanical means, but only by the exercise of intelligence, care, and common sense. It is therefore essential to have owners and personnel involved in the use and operation of the equipment who are careful, competent, trained, and qualified in the safe operation of the equipment and its proper use. Examples of hazards are dropping, tipping or slipping of loads caused primarily by improperly securing loads, overloading, off-centered loads, use on other than hard level surfaces, and using equipment for a purpose for which it was not designed.

METHODS TO AVOID HAZARDOUS SITUATIONS

WARNING



- Read, study, understand and follow all instructions before operating this device.
- Inspect the jack before each use. Do not use jack if damaged, altered, modified, in poor condition, leaking hydraulic fluid, or unstable due to loose or missing components. Make corrections before using.
- Consult the vehicle manufacturer for the transmission's center of balance.
- Never use a power tool to activate the saddle tilt screws. Operate by hand or socket wrench.
- Secure the transmission to the jack's saddle with the anchorage restraint system provided before raising or lowering the transmission.



- Center load on saddle. Be sure setup is stable before working on vehicle.
- Support the engine with a stand before unbolting the transmission from the engine.
- Wear eye protection that meets ANSI Z87.1 and OSHA standards (users and bystanders).
- Do not use jack beyond its rated capacity. Do not shock load.
- Use only on a hard level surface.
- Adequately support the vehicle before starting repairs.
- Use of this product is limited to the removal, installation and transportation in the lowered position, of transmissions, transfer cases and transaxles.
- Do not use any adapters unless approved or supplied by NAPA.
- Do not use (or modify) this product for any other purpose than that for which it was designed without consulting the manufacturer's authorized representative.
- Always lower the jack slowly and carefully.
- This product contains chemicals known to the State of California to cause cancer and birth defects or other reproductive harm. *Wash hands thoroughly.*
- Failure to heed these warnings may result in serious or fatal personal injury and/or property damage.

CONSEQUENCES OF NOT AVOIDING HAZARDOUS SITUATIONS

WARNING

Failure to read this manual completely and thoroughly, failure to understand its OPERATING INSTRUCTIONS, SAFETY WARNINGS, MAINTENANCE INSTRUCTIONS and comply with them, and failure to comply with the METHODS TO AVOID HAZARDOUS SITUATIONS could cause accidents resulting in serious or fatal personal injury and/or property damage.

OPERATING MANUAL & PARTS LIST FOR 791-7180 A

SETUP INSTRUCTIONS



This is the safety alert symbol used for the SETUP INSTRUCTIONS section of this manual to alert you to potential personal injury hazards. Obey all instructions to avoid possible injury or death.

PLEASE REFER TO THE EXPLODED VIEW DRAWING IN THIS MANUAL IN ORDER TO IDENTIFY PARTS.

1. Refer to the exploded view drawing on page 5 to identify jack components.
2. The #3-7 and #3-13 brackets must be installed in the #3-8 saddle plate with the #3-6 bolts, #3-9 washers and #3-10 wing nuts as shown in the exploded view drawing.
3. The #3-4 chains must be attached to the #3-7 brackets as shown in the exploded view drawing and secured to the brackets with the #3-1 bolts, #3-2 washers, #3-3 lock washers and #3-5 nuts provided.
4. Assemble the #3-16 chain hooks to the #3-15 adaptor bolts with the #3-14 wing nuts as shown in the drawing.
5. Secure the #3-15 adaptor bolts to the two remaining #3-13 brackets using the #3-12 washers and #3-11 nuts.
6. Air may get trapped in the hydraulic system during freight and handling.

PURGING AIR FROM THE HYDRAULIC SYSTEM:

- a. Rotate the knob at the top of the hydraulic block in a clockwise direction until tight. Now turn it in a counterclockwise direction two full turns.
- b. Activate the hand pump #1-45 about 15 times.
- c. Rotate the knob at the top of the hydraulic block in a clockwise direction until tight.
- d. Activate the hand pump until the lift arm is raised to maximum height. You should experience a full pump stroke with each incremental pump.
- e. Repeat steps "a" through "d" until all air is purged from the system.

OPERATING INSTRUCTIONS



This is the safety alert symbol used for the OPERATING INSTRUCTIONS section of this manual to alert you to potential personal injury hazards. Obey all instructions to avoid possible injury or death.

1. Lift the vehicle to the desired work height, and support the vehicle in accordance with the lift manufacturer's recommended lifting and support procedures.
2. Position the transmission jack directly under the transmission. Turn the release valve knob all the way in a clockwise direction until it stops. Pump the handle, and the saddle assembly will start to rise. Raise the saddle to a height very close to the center of balance point of the transmission, but do not touch the transmission.
3. Loosen the four bolts that secure the four brackets to the saddle. The brackets can be adjusted in and out to help position the transmission on the saddle. Now gently raise the saddle so it supports the transmission. Adjust the four brackets in position against the transmission, and tighten the wing nuts that secure the brackets to the saddle. Fore and aft saddle tilt adjustments are sometimes necessary to properly position the transmission on the saddle. Side to side tilt positioning may be necessary for the same reason and can be accomplished by activating the side to side tilt knob.
4. The chains should be pulled over the center of balance portion of the transmission and secured on the chain hooks. Rotate the #3-14 wing nuts to take up the slack in the chain and secure the transmission to the saddle.
5. Remove the transmission from the engine according to instructions in the vehicle service manual.
6. Once the transmission has been disconnected from the engine, very slowly turn the jack's release knob in a counterclockwise direction to make sure the jack's saddle and transmission do not hang up on any undertruck components, wiring, fuel lines, etc. Continue to lower the jack all the way down.
7. Remember to secure the transmission to the saddle before installing, and follow the vehicle manufacturer's installation instructions.

PREVENTATIVE MAINTENANCE



This is the safety alert symbol used for the PREVENTATIVE MAINTENANCE section of this manual to alert you to potential personal injury hazards. Obey all instructions to avoid possible injury or death.

1. Always store the jack in a well protected area where it will not be exposed to inclement weather, corrosive vapors, abrasive dust, or any other harmful elements. The jack must be cleaned of water, snow, sand, grit, oil, grease or other foreign matter before using.
2. The jack must be lubricated periodically in order to prevent premature wearing of parts. A general purpose grease must be applied to all zerck grease fittings, caster wheels, elevator arm, handle base pivot bolts, release mechanism and all other bearing surfaces.

OPERATING MANUAL & PARTS LIST FOR 791-7180 A

PREVENTATIVE MAINTENANCE (CONT.)

3. It should not be necessary to refill or top off the reservoir with hydraulic fluid unless there is an external leak. An external leak requires immediate repair which must be performed in a dirt-free environment by qualified hydraulic repair personnel who are familiar with this equipment.

IMPORTANT: In order to prevent seal damage and jack failure, never use alcohol, hydraulic brake fluid or transmission oil in the jack. Use NAPA hydraulic Jack Oil #765-1541.

4. Every jack owner is responsible for keeping the jack labels clean and readable. Use a mild soap solution to wash external surfaces of the jack but not any moving hydraulic components. Contact NAPA for a replacement label if your jack's label is unreadable.
5. Inspect the jack before each use. Do not use the jack if any component is cracked, broken, bent, shows sign of damage or leaks hydraulic fluid. Do not use the jack if it has loose or missing hardware or components, or is modified in any way. Take corrective action before using the jack again.
6. Do not attempt to make any hydraulic repairs unless you are a qualified hydraulic repair person that is familiar with this equipment. Repairs must be performed by an authorized service center.

TROUBLESHOOTING

PROBLEM	ACTION
1. Unit will not lift rated load.	Purge air from hydraulic system by following procedure under SETUP.
2. Unit will not sustain rated load or feels "spongy" under rated load.	Purge air from hydraulic system as above.
3. Unit will not lift to full height.	Purge air from hydraulic system as above.
4. Handle tends to raise up while the unit is under rated load.	Pump the handle rapidly several times to push oil past ball valves in power unit.
5. Unit still does not operate.	For a complete list of authorized hydraulic repair centers please visit www.toolwarrantyrepair.com .

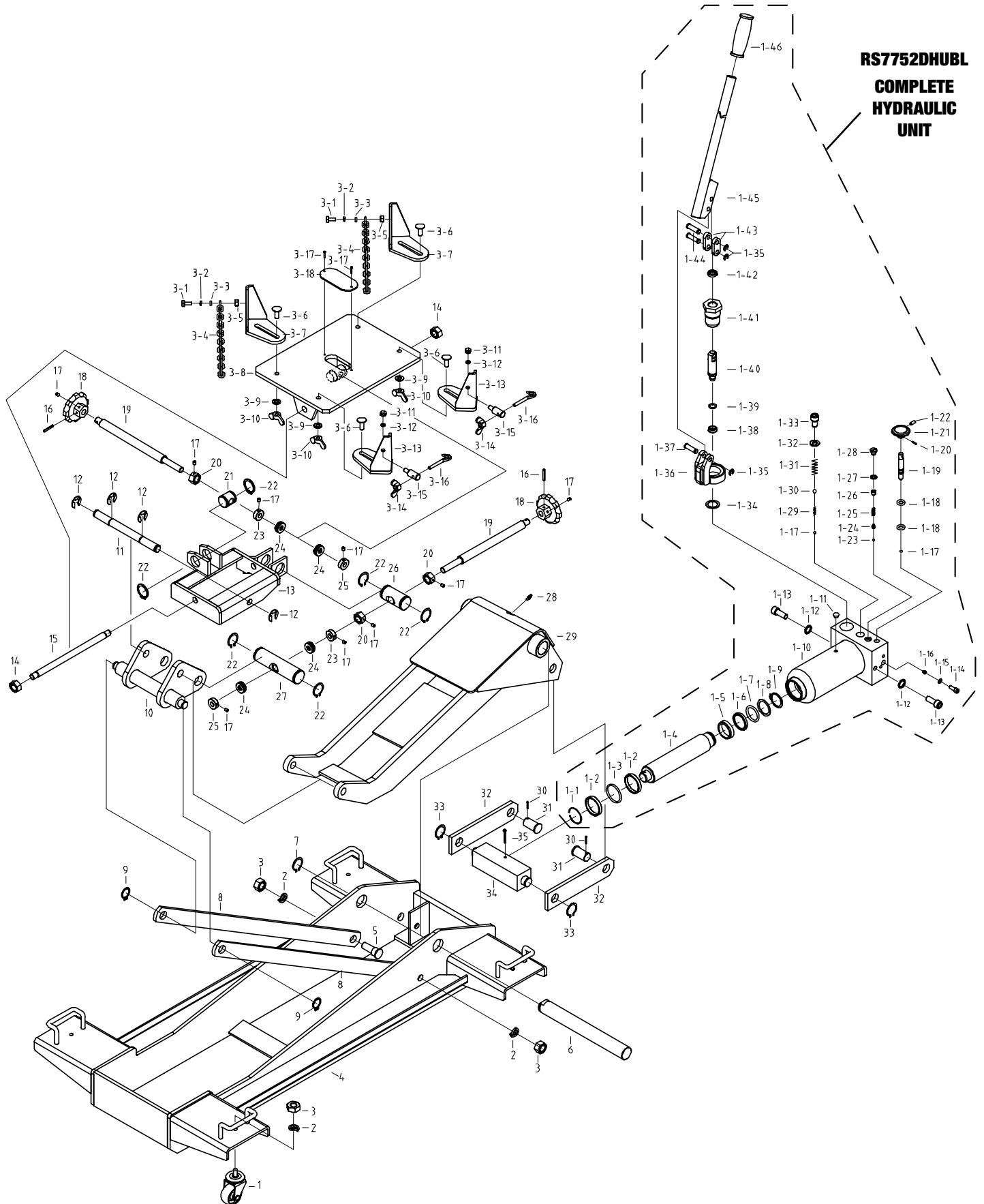
WARRANTY

Please contact your local NAPA Auto Parts Store for details on warranty.



PROFESSIONAL LIFTING EQUIPMENT

MODEL # 791-7180 A 1-1/2 TON TRANSMISSION JACK





PROFESSIONAL LIFTING EQUIPMENT

MODEL # 791-7180 A 1-1/2 TON TRANSMISSION JACK

Index No.	Part No.	Description	Qty.	Index No.	Part No.	Description	Qty.
1	RS7752D01	Wheel Assembly/each (incl. #2 & #3)	4	1-19	RS7752D119BL	Release Valve Assembly (incl. #1-20 & #1-21)	1
2		Washer (incl. w/ #1)	6	1-20		Pin (incl. w/ #1-19)	1
3		Nut (incl. w/ #1)	6	1-21		Release Knob (incl. w/ #1-19)	1
4		Frame Board Assy.	1	1-22		Screw	1
5		Bolt	2	1-23	*	Steel ball 4	1
6		Shaft	1	1-24		Ball seat	1
7		Washer	1	1-25	*	Spring	1
8		Rod Link	2	1-26		Screw	1
9		Washer	2	1-27		Sealing washer	1
10		Saddle Seat	1	1-28		Screw	1
11		Shaft	1	1-29	*	Spring	1
12		Washer	4	1-30	*	Steel ball 9	1
13		Bracket	1	1-31	*	Spring	1
14		Nut	2	1-32	*	Copper washer	1
15		Shaft	1	1-33		Screw	1
16		Pin (incl. w/ #19)	2	1-34	*	Copper washer	1
17	**	Bolt (incl. w/ #19)	9	1-35		Washer	3
18		Handwheel (incl. w/ #19)	2	1-36		Bracket	1
19	RS7752D19Y	Adjustment Rod Assembly/each (incl. #16-18)	2	1-37		Pin	1
20	**	Nut	3	1-38	*	Y-ring	1
21	RS7752D21	Shaft	1	1-39	*	O-ring	1
22	RS7752D22	Retaining Ring/each	6	1-40		Cylinder Pump	1
23	**	Nut	2	1-41		Pump cylinder	1
24	**	Bearing	4	1-42	*	Dustproof plug	1
25	**	Nut	2	1-43		Washer	2
26	RS7752D26	3" Shaft	1	1-44		Pin	2
27	RS7752D27	5.5" Shaft	1	1-45		Handle	1
28		Grease Fitting	1	1-46		Handle Sleeve	1
29		Lift Arm Assembly	1	3-1	***	Bolt	2
30		Pin	2	3-2	***	Washer	2
31		Shaft	2	3-3	***	Lock Washer	2
32		Rod Link	2	3-4	RS7752D34	Chain/each	2
33		Washer	2	3-5	***	Nut	2
34		Rod Link	1	3-6	***	Bolt	4
35		Pin	1	3-7	RS7752D37Y	Bracket/each	2
1-0	RS7752DHUBL	Complete Hydraulic Unit	1	3-8		Saddle Plate	1
1-1		Washer	1	3-9	***	Washer	4
1-2		Washer	2	3-10	***	Wing Nut	4
1-3	*	O-ring	1	3-11	***	Nut	2
1-4		Piston Rod	1	3-12	***	Washer	2
1-5		Piston ring	1	3-13	RS7752D313Y	Bracket/each	2
1-6	*	Sealing washer	1	3-14	***	Wing Nut	2
1-7	*	O-ring	1	3-15	***	Adaptor Bolt	2
1-8		Washer	1	3-16	***	Hook	2
1-9		Washer	1	3-17		Bolt	2
1-10		Body	1	3-18		Board	1
1-11	*	Oil filler plug	1		RS7180ALK	Product Label Kit (not shown)	1
1-12		Washer	2				
1-13		Bolt	2				
1-14		Bolt	1				
1-15	*	Copper washer	1				
1-16		Valve	1				
1-17	*	Steel ball 6	2				
1-18	*	O-ring	2				

* Available in seal kit, RS7752DSK

** Available in saddle bearing kit, RS7752DSBK (incl. #17 (7), #20 (3), #23 (2), #24 (4), #25 (2)).

*** Available in bolt kit, RS7752DBK

Only index numbers identified by part number are available separately.