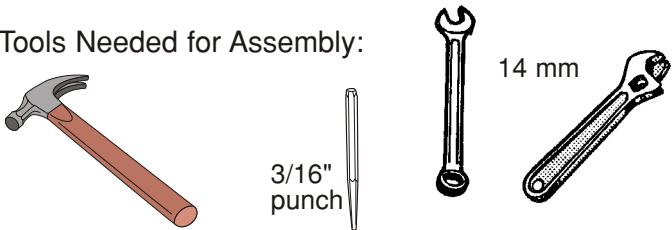


8016

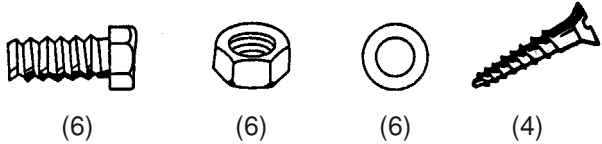
Locking 3 Drawer Unit with Roller Bearing Slides

ASSEMBLY INSTRUCTIONS

Tools Needed for Assembly:



Hardware included for attaching drawer to cart:



Replacement Parts:

RBSLIDEC Clip-On Roller Bearing Slides for Large Tray

RBSLIDEC Clip-On Roller Bearing Slides for Small Tray

NOTE: You will need to disassemble the drawer to replace the Clip-On Roller Bearing Slides.

RS3DLK Lock with Keys

Step 1 With the cart fully assembled, take a small punch and hammer, and gently knock out the 4 pre-scored dimples in the top tray.

Step 2 Turn the cart on its handles as shown in drawing B. You will see the 4 holes that you knocked out.

Step 3 Disassemble the locking drawer (if not already disassembled) by removing all bolts. Product must match illustration A before proceeding to Step 11.

Step 4 Line up the holes on the back of the shelf with part #1A, the left side of the drawer cabinet as shown in drawing B. Part 1A and 2 overlap and connect as shown in drawing C. Insert bolt and washer from underneath the shelf. **Do not completely tighten the nut at this time.**

Using the bolt (#6) provided, attach parts 1A and 2 together as shown in drawing C. **Do not completely tighten the nut at this time.**

Step 5 Line up the holes on the back of the shelf with part #1B, the right side of the drawer cabinet and the other end of part #2, the back plate of the drawer cabinet. Insert bolt and washer from underneath the shelf. **Do not completely tighten the nut at this time.**

Using the bolt provided attach parts 1B and 2 together as described in Step 10. **Do not completely tighten the nut at this time.**

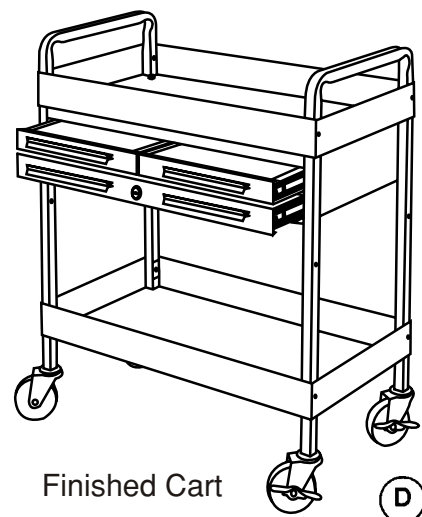
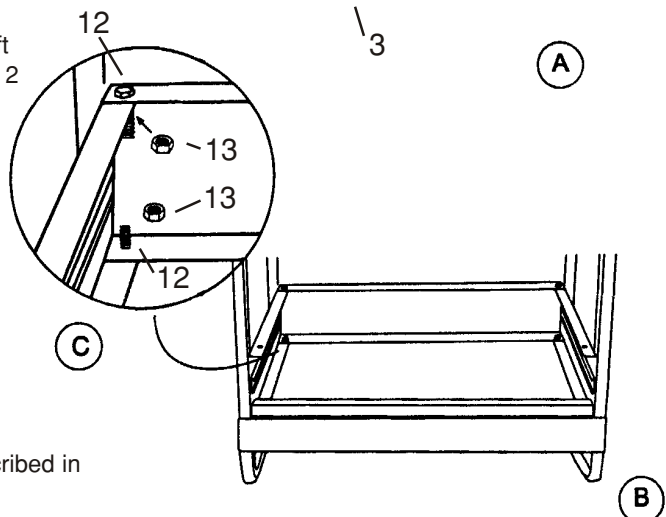
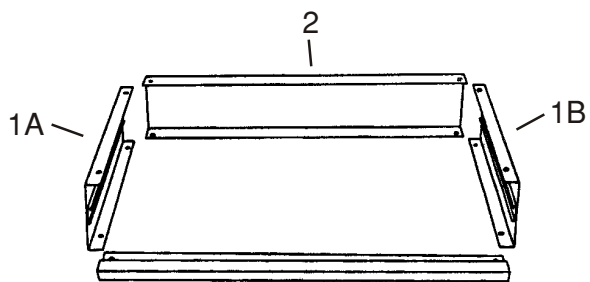
Step 6 Line up the holes on part #3, the front panel of the drawer cabinet, with the other end of 1A, 1B, and the front end of the shelf. Place part #3 under 1A & 1B, and attach to the shelf. Insert bolts and washers from underneath the shelf. **Do not completely tighten the nut at this time.**

Step 7 Turn the cart back on its casters.

Step 8 Attach the handle to the front of the drawer with the 4 screws provided. The 4 holes on the front of the drawer have already been drilled out for you.

Step 9 Before inserting the drawer into the service cart cabinet, make sure the roller bearing case is extended all the way out to the black plastic end stop. (This insures proper alignment during insertion.) Hold the roller bearing case in place while inserting drawer. If necessary adjust the drawer rails (items 1A and 1B) to allow the drawer to slide on smoothly. Once you have determined the width which allows the drawer to slide in and out smoothly refer back to steps 11, 12, and 13 to tighten the nuts down completely.

CAUTION: DO NOT FORCE THE DRAWER ONTO THE SLIDE RAILS.
This may cause permanent damage to the slide roller bearings.



Finished Cart