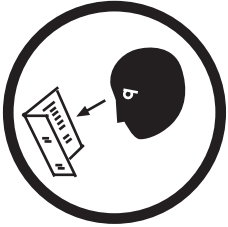


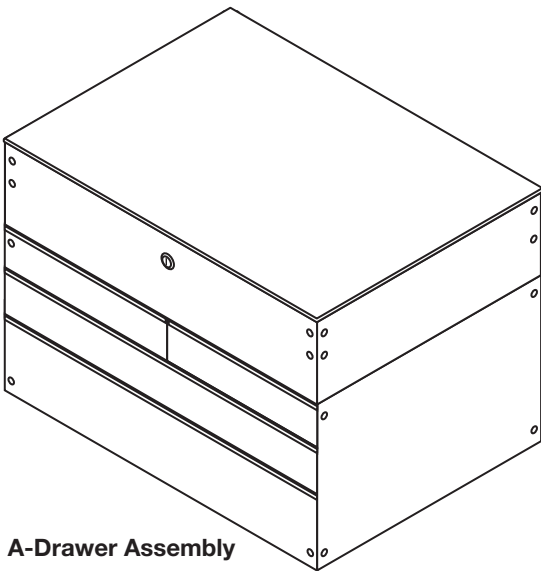
**PARTS BREAKDOWN AND OPERATING MANUAL**



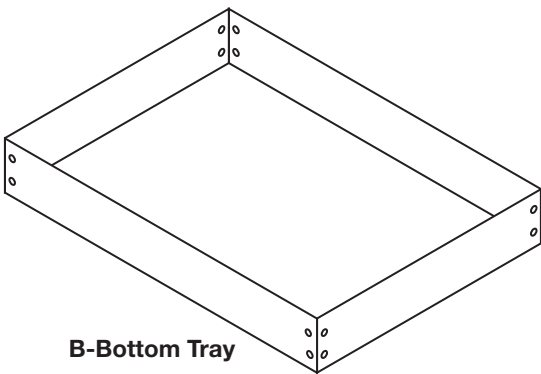
**THIS OPERATING MANUAL CONTAINS IMPORTANT SAFETY INFORMATION. READ CAREFULLY AND UNDERSTAND ALL INFORMATION BEFORE OPERATING THIS TOOL. SAVE THIS MANUAL FOR FUTURE USE.**

**PARTS LIST**

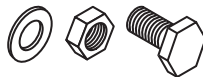
Examine box contents, then proceed with the following instructions.



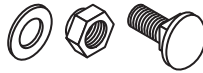
A-Drawer Assembly



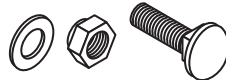
B-Bottom Tray



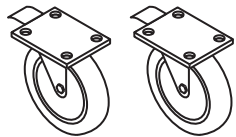
**C-Caster Bolt Kit (16) ea:**  
M8x16mm Bolt  
M8 Nut  
Spring Washers



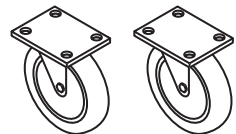
**D-Side Support Bolt Kit (44) ea:**  
M8x12mm Ball Type Screws  
M8 Nuts  
Spring Washers



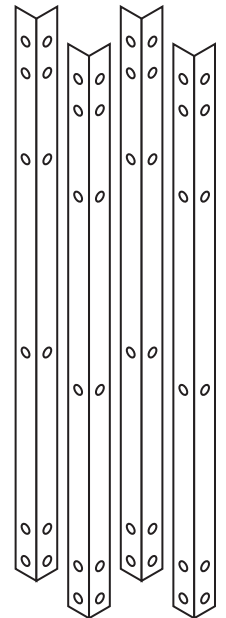
**E-Handle Bolt Kit (2) ea:**  
M8x16mm Ball Type Screws  
M8 Nuts  
Spring Washers



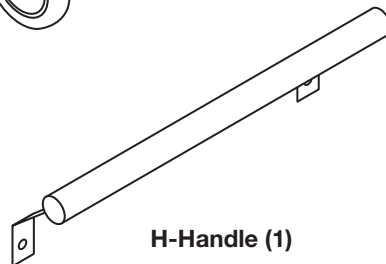
**F-Locking Casters (2)**



**G-Non-Locking Casters (2)**



**I-Side Supports (4)**



H-Handle (1)



**J-Keys**  
(Attached to  
Drawer Lock)

<b>TOOLS NEEDED</b>					
	Tabletop or workbench*	2 People	13mm Wrench	Ratchet with 13 mm socket	Adjustable Wrench

# ASSEMBLY INSTRUCTIONS

## Step 1: Assembly Preparation

Remove all contents from box. Reference the parts list to make sure you have all the parts.

### CAUTION

Verify your tabletop or workbench can support 150 lbs. (68 kg.). Failure to follow this warning could result in damage to property or personal injury.

### NOTE

Cover table or workbench to prevent any damage to surface.

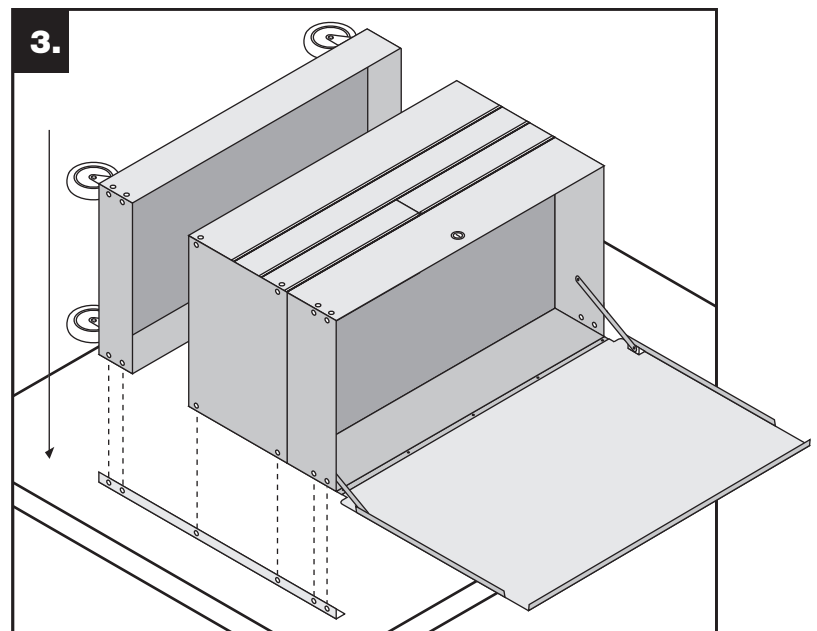
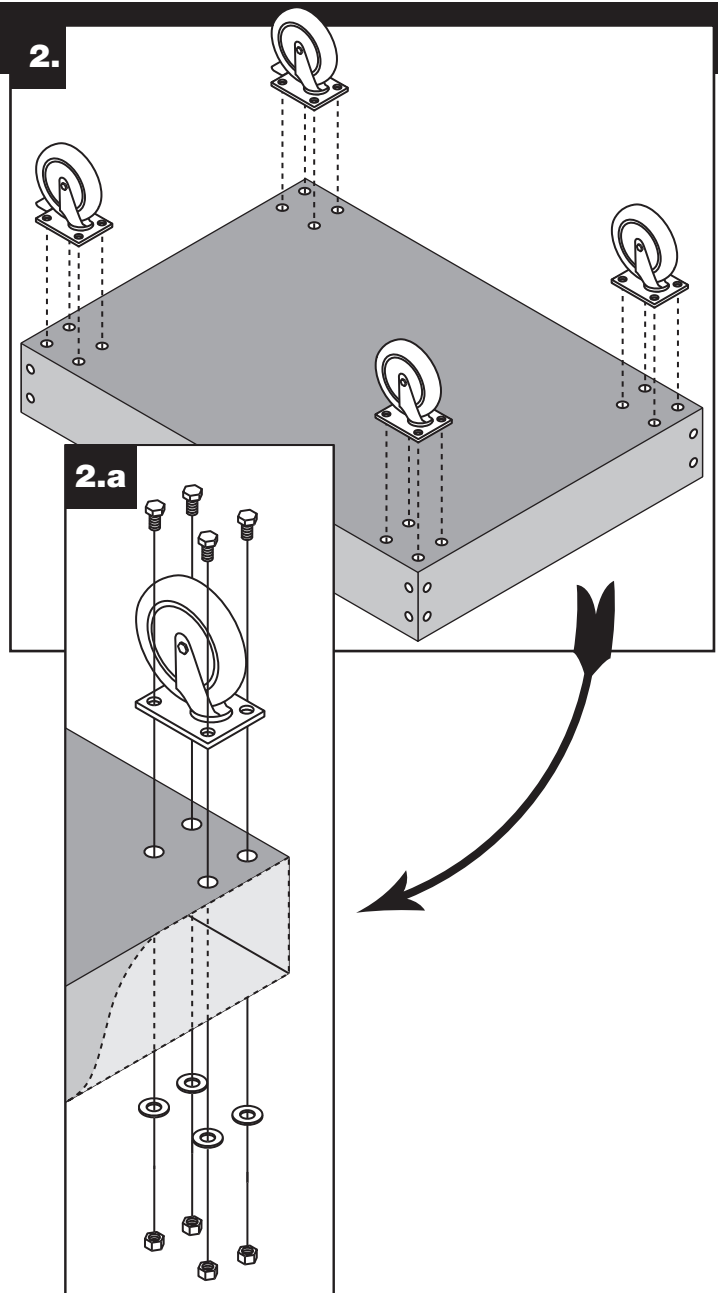
## Step 2: Attaching Casters

Turn bottom tray (B) upside down. Align holes in locking and non-locking casters (F & G) with matching holes in the bottom tray as shown in figure 2.a. Attach washers, lock washer and nuts from caster bolt kit (C) and hand tighten.

**NOTE:** Ensure that both locking casters are on same end of the cart.

## Step 3: Aligning the Side Supports

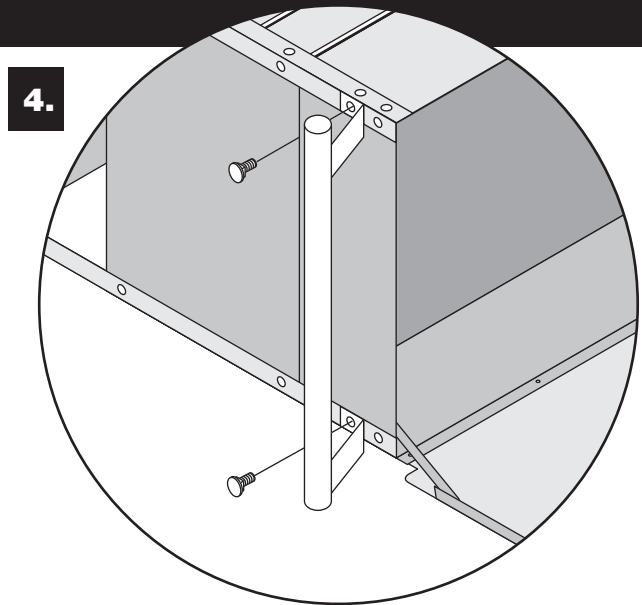
Make sure the drawer assembly lid is open. Place two of the four side supports (I) face up on table as shown in figure 3. Place drawer assembly (A) and bottom tray (B) on supports as shown in figure 3 and align with matching holes in side supports.



# ASSEMBLY INSTRUCTIONS

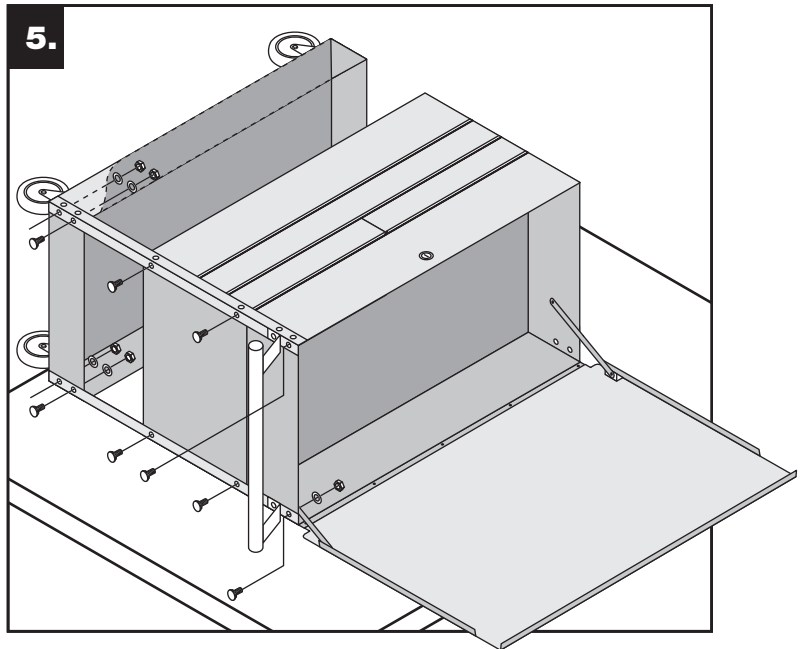
## Step 4: Attaching the Handles

Align the other two side supports (I) with the front corners of the bottom tray and drawer assembly and let them rest on top as shown in figure 4. Align the hole on the handle (H) with the second hole down on the drawer assembly and (un-attached) side support as shown in figure 4. Insert handle bolts (E) through handle, through the side support, and into the drawer assembly as shown in figure 4. Secure with washer and nut from handle bolt kit (E) and hand tighten.



## Step 5: Attaching Bottom Tray and Drawer Assembly to Side Supports

Once handle is attached, align holes in side supports (I) with matching holes in bottom tray (A) and drawer assembly (B) as shown in figure 5. Insert side support bolts (D) through side supports and into bottom tray and/or drawer assembly and secure from the inside with side support washers and nuts until all side holes have been attached and hand tightened.

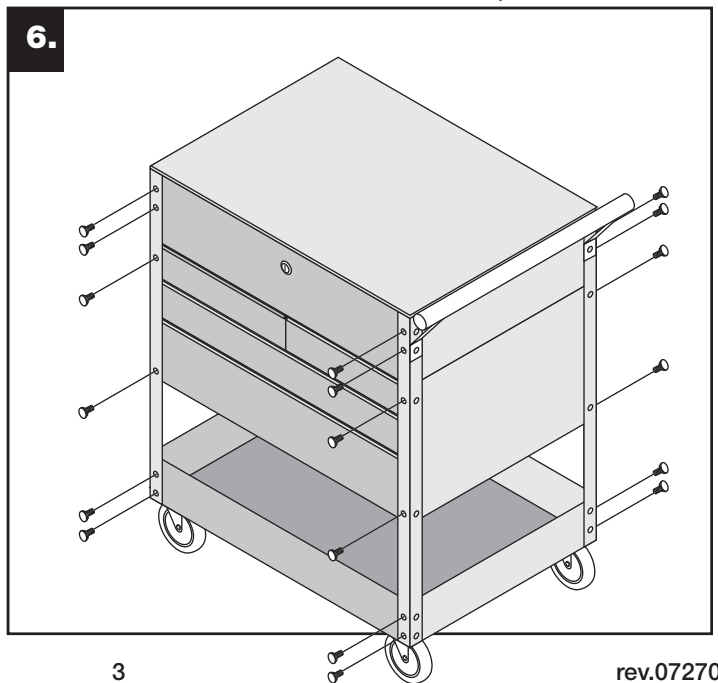


## Step 6: Securing Side Supports

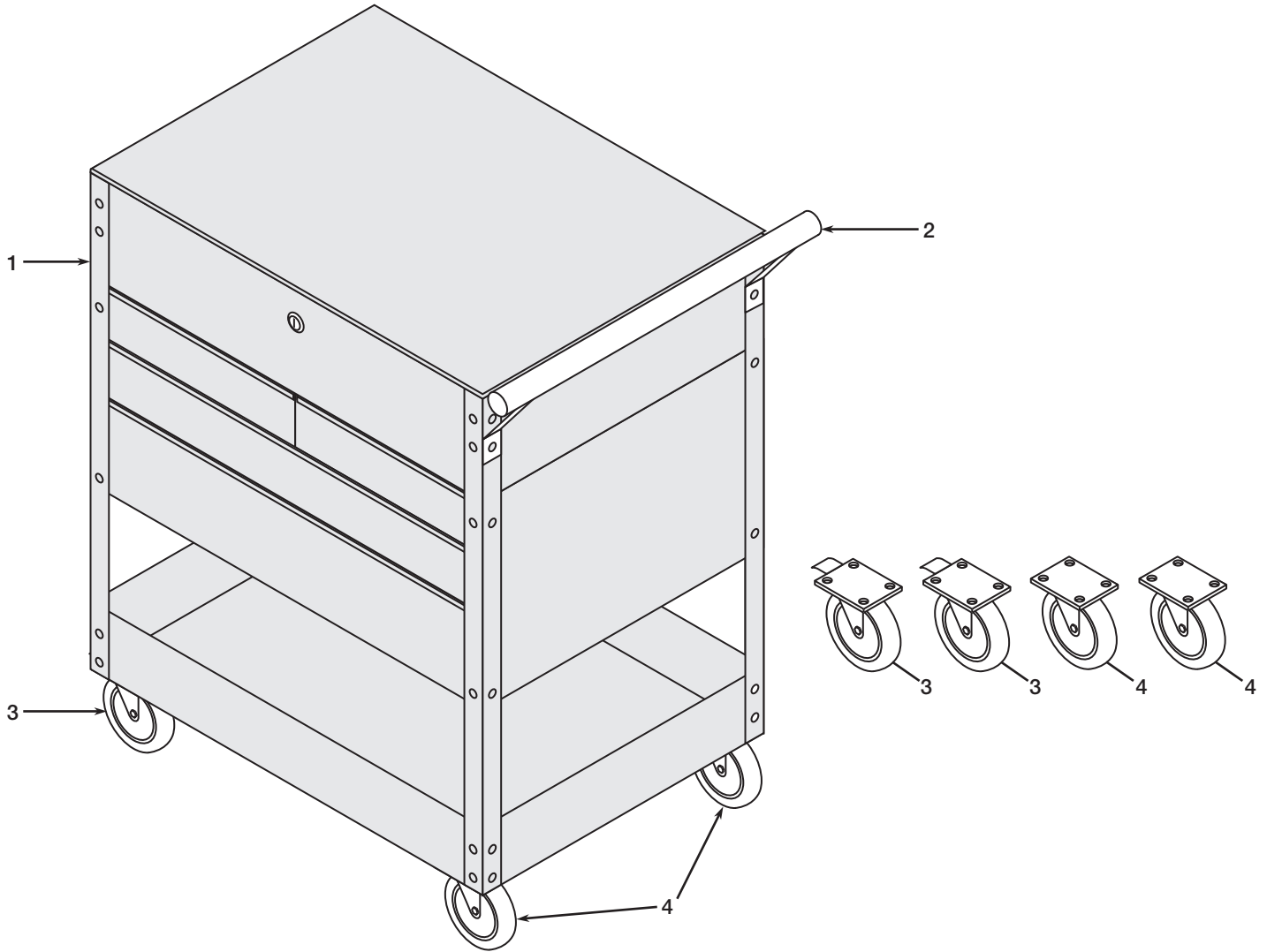
Using two people, turn the cart upright. Continue to bolt through aligned holes in the front and back of the cart with the side support bolts, washers, and nuts (D) as shown in figure 6. Hand tighten. ALL holes should now be aligned and secured.

## Step 7: Tightening Bolts

Use a 13mm wrench and ratchet with 13mm socket or adjustable wrench to tighten all bolts. Once all bolts are tightened, your cart is complete. See page 4 for parts breakdown.



**PARTS BREAKDOWN**



**REPLACEMENT PARTS LIST**

Item	Part #	# Req'd	Description
1	RS8040SS	4	Side Supports/ea.
2	RS8040PH	1	Push Handle/ea.
3	RS8040LC	2	Locking Caster/ea.
4	RS8040NLC	2	Non-Locking Caster/ea.

**Also Available:**

- RS8040LK Lock with Keys/ea.
- RS8040CBK Caster Bolt Kit- (16) ea. (M8x16 Hex Head Bolts, M8 Nuts, & Spring Washers)
- RS8040HBK Handle Bolt Kit- (2) ea. (M8x16 Ball Type Screws, M8 Nuts, & Spring Washers)
- RS8040SSBK Side Support Bolt Kit- (44) ea. (M8x12 Ball Type Screws, M8 Nuts, & Spring Washers)