

**ASSEMBLY INSTRUCTIONS**

**Step 1: Connecting the bottom shelf to the legs.**

With the bottom shelf on its side, attach one leg to each corner of the shelf using 16 short bolts, washers, and nuts.

**Step 2: Connecting the top shelf to the legs.**

Attach the top shelf to the leg ends, using 12 short bolts, washers, and nuts. Leave out the four bolts on one end of the cart so that the handle can be attached later, using long bolts.

**Step 3: Attaching casters.**

Attach the casters to the bottom shelf using the remaining 16 short bolts, washers, and nuts.

*NOTE:* Ensure that both locking casters are on same end of the cart.

Once casters are installed, stand cart upright.

**Step 4: Attaching handle.**

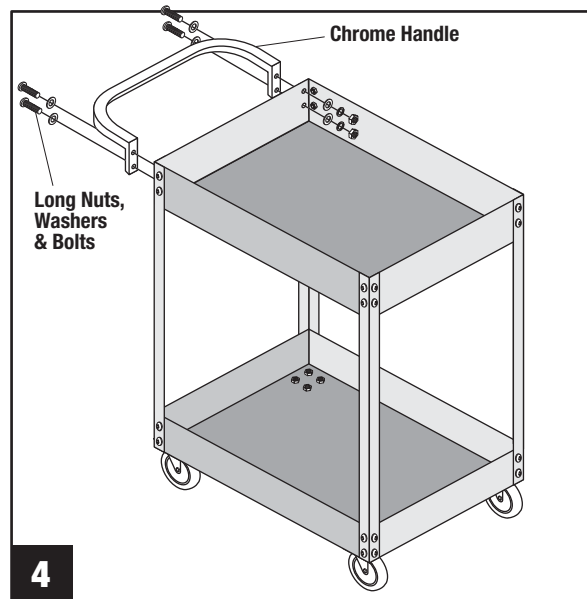
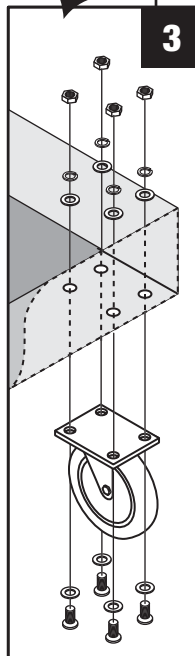
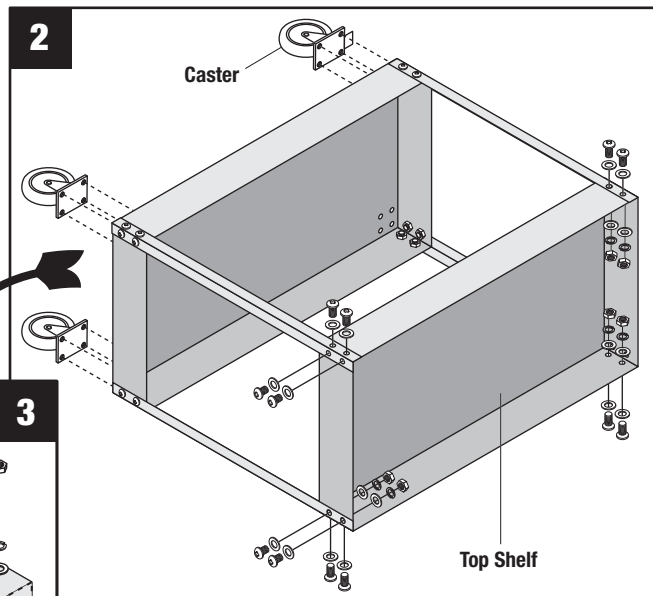
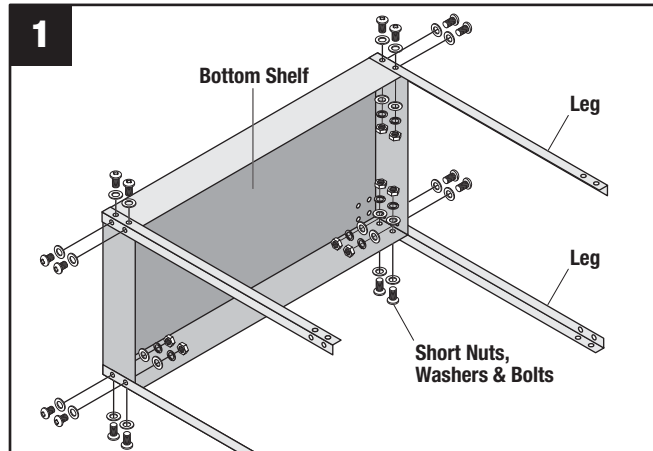
Attach the handle to the remaining end of the cart using the four long bolts, washers, and nuts.

**! IMPORTANT:**

**Step 5: Tighten all bolts.**

At this point, all bolts should be tightened. Tighten bolts opposite each other rather than tightening all bolts on one side first so that cart remains aligned. Avoid using excessive force when tightening bolts.

Assembly is complete.



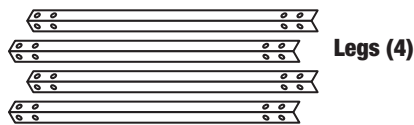
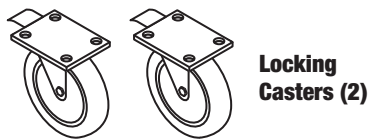
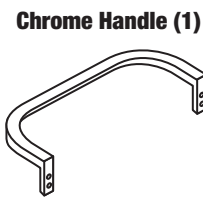
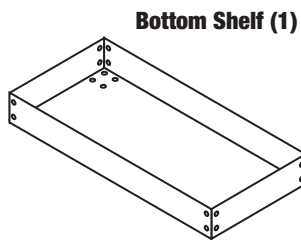
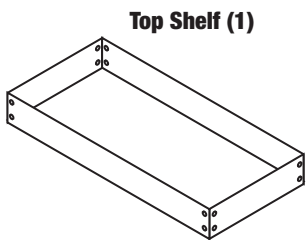
**OPERATION MANUAL**



**IMPORTANT:**

THIS OPERATING MANUAL CONTAINS IMPORTANT SAFETY INFORMATION. READ CAREFULLY AND UNDERSTAND ALL INFORMATION BEFORE OPERATING TOOL. SAVE THIS MANUAL FOR FUTURE USE.

**BOX CONTENTS**



**TOOLS NEEDED**

<b>Rubber Mallet</b>	<b>10mm Wrench</b>	<b>Phillips Head Screwdriver</b>
<b>Table or Workbench</b>		<b>2 People</b>

**PARTS BREAKDOWN**

**Replacement Parts**

Item	Part #	# Req'd	Description
1	RS8003LC	2	Locking Caster/ea.
2	RS8003SC	2	Non-Locking Caster/ea.
3	RS8003CHDL	1	Chrome Handle

