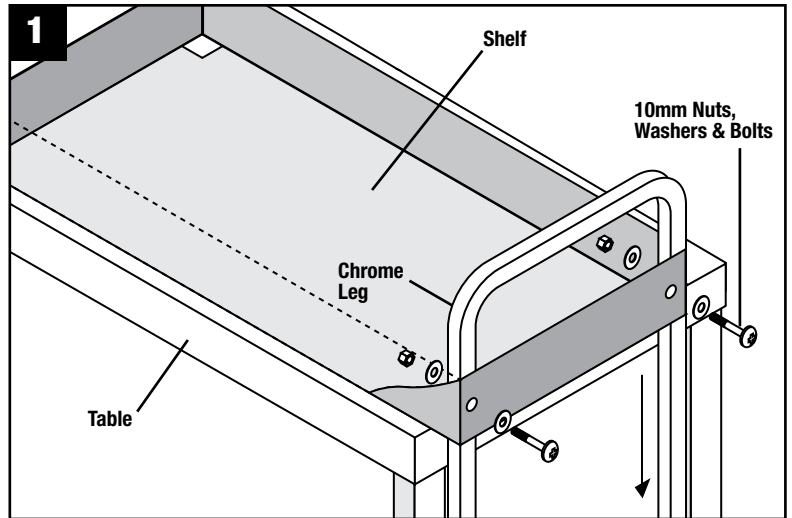


**ASSEMBLY INSTRUCTIONS**

**Step 1: Connecting the top shelf to the chrome legs.**

Clear table top and position a shelf so that the end hangs off of the table enough to allow the chrome legs to go through the square holes. Insert one set of chrome legs through the overhanging holes as shown in Figure 1. Position a washer and insert a 10mm bolt through the washer, bolt holes, and legs as shown. Secure bolts with a flat washer, lock washer, and nut on the inside of the shelf.

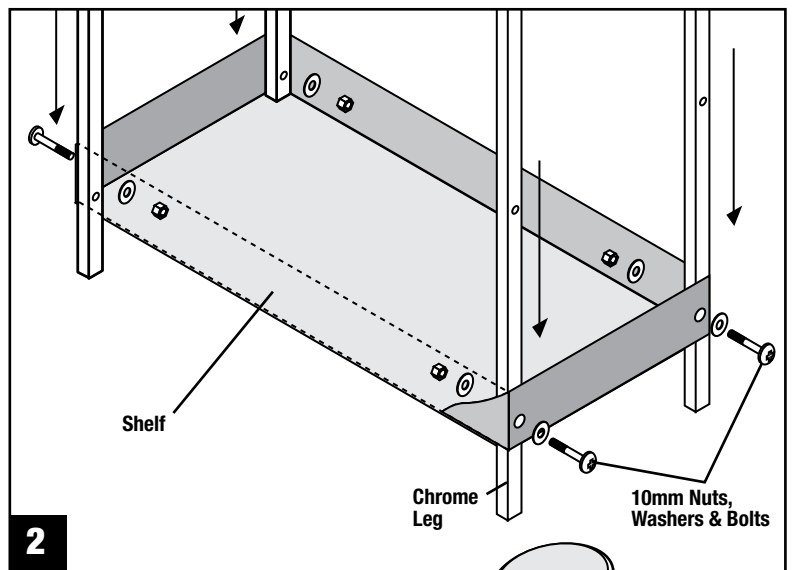
Repeat Step 1 for the remaining set of legs.



**Step 2: Connecting the bottom shelf to the chrome legs.**

Lift the cart and place on top of the bottom shelf with chrome legs through the square leg-holes. Align bolt holes in bottom shelf with lower holes in legs and insert a 10mm bolt through the washer, bolt holes, and legs as shown.

Repeat with all remaining holes in bottom shelf.



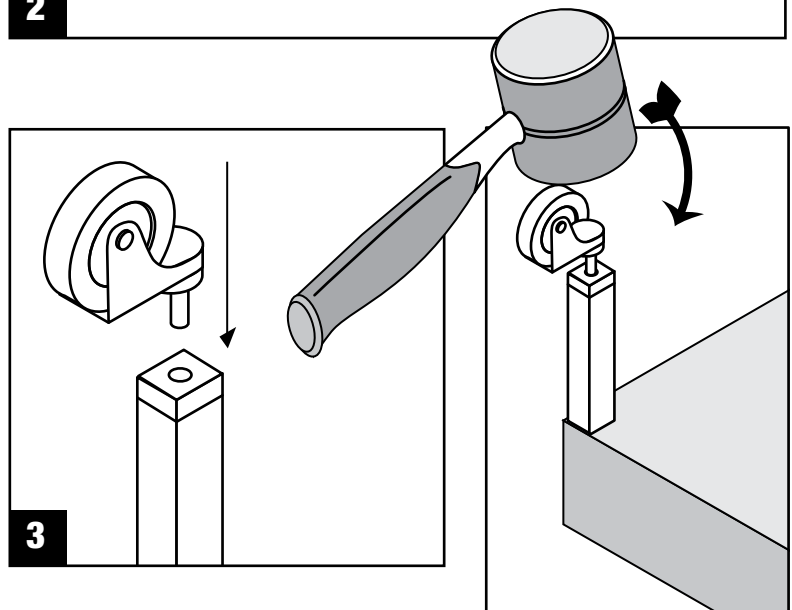
**Step 3: Attaching casters.**

Turn the cart upside down, allowing it to rest on chrome leg tops with the plastic inserts facing up.

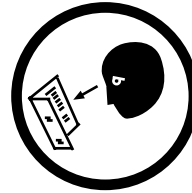
Insert the stem of one caster into the hole in a plastic insert. Using a rubber mallet, hammer the casters into place until the stem is no longer visible. Repeat with other casters.

**NOTE:** Ensure that both locking casters are on same end of the cart.

Once casters are installed, stand cart upright. Assembly is complete.



**OPERATION MANUAL**

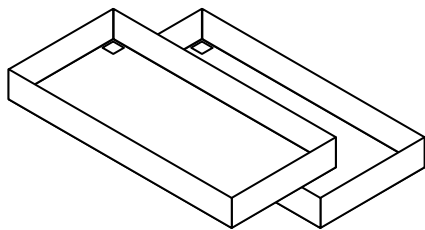


**⚠ IMPORTANT:**

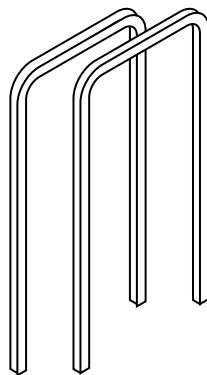
THIS OPERATING MANUAL CONTAINS IMPORTANT SAFETY INFORMATION. READ CAREFULLY AND UNDERSTAND ALL INFORMATION BEFORE OPERATING TOOL. SAVE THIS MANUAL FOR FUTURE USE.

**PARTS LIST**

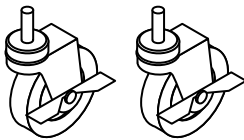
**Shelves (2)**



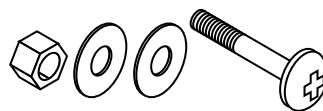
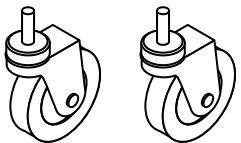
**Chrome Legs (2)**



**Locking Casters (2)**



**Non-Locking Casters (2)**



**10mm Nuts, Washers & Bolts (8 Pcs. Each)**

**TOOLS NEEDED**



**Rubber Mallet**



**10mm Wrench**



**Phillips Head Screwdriver**



**Table or Workbench**



**2 People**

**PARTS BREAKDOWN**

**Box Contents**

Item	Part #	# Req'd	Description
1	BK815-6256	2	Tray/ea.
2	RSSC7	2	Chrome Leg/ea.
3	RSSCPLW	2	Locking Caster/ea.
4	RSSCPW	2	Non-Locking Casters/ea.
5	RSSCPHK	1	Bolt Kit (8 bolts and nuts, 16 washers)

**Also Available**

Part #	Description
BK815-6252	Locking Drawer with Roller Bearing Slides
RSRBSLIDEC2	Clip-on Roller Bearing Slides/Pair
RS8006HDL	Drawer Handle
RS8006LK	Drawer Lock with Two Keys

