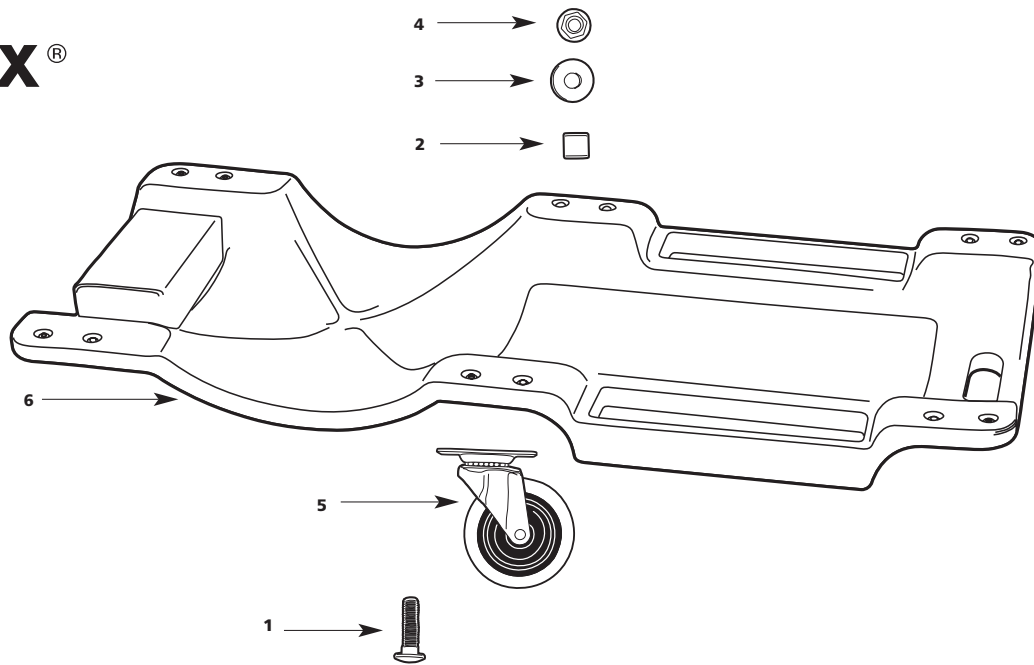




# MODEL 8511

## 40" PLASTIC CREEPER

### 6 CASTER



#### Installation of replacement casters:

- Step 1** Remove the caster or casters that are to be replaced.
- Step 2** Line the caster (#5) up with the corresponding holes on the creeper (#6).
- Step 3** Insert the screws (#1) from the bottom of the creeper through the hole for the caster.
- Step 4** Put the sleeves (#2) over the screws (#1).
- Step 5** Place flat washers (#3) over the screws and fasten nuts (#4) onto screws.
- Step 6** Repeat steps 1 - 5 for each caster.

Order Part # RS8511CS for Replacement 3" Swivel Caster Assembly with hardware.