

- Operating Instructions
- Warning Instructions
- Parts Breakdown



SUNEX®
T O O L S



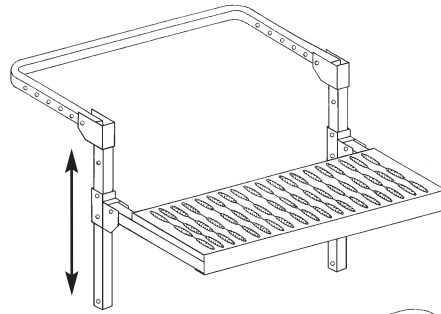
9600

TRUCK TIRE STEP

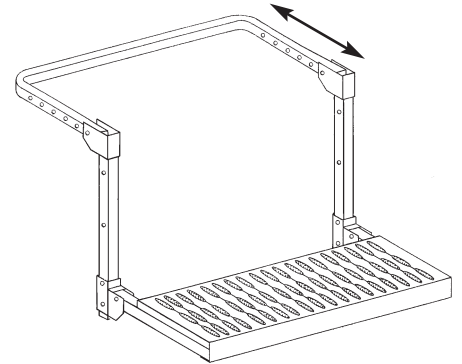
READ ENCLOSED WARNING LABEL BEFORE USING TIRE STEP

OPERATING INSTRUCTIONS

ADJUSTMENT TO FIT OVER TIRE: While step is still folded and placed on the ground, remove Pin (#6), slide Back Arm to proper adjustment, re-insert Pin (#6) in same direction as removed, lock pin with clevis pin (#8).

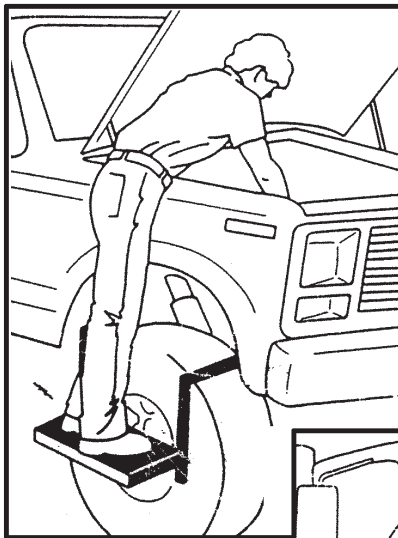


TO ADJUST VERTICALLY IN HEIGHT: While step is still folded and placed on the ground, remove Pin (#7), adjust step to height desired, re-insert Pin (#7) in same direction as removed, lock pin with clevis pin (#8).



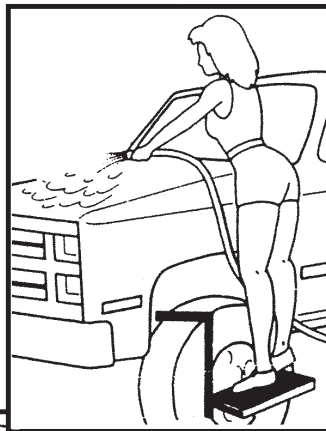
MECHANICS

Fig. 1



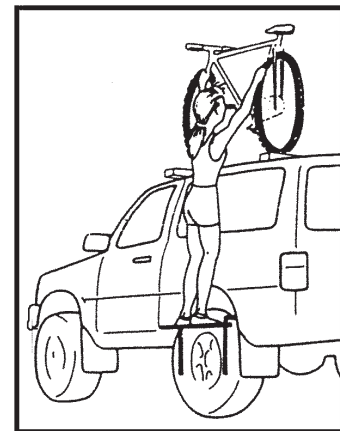
HOME USE

Fig. 2



SPORTING GOODS

Fig. 3



DIESEL TRUCK

Fig. 4

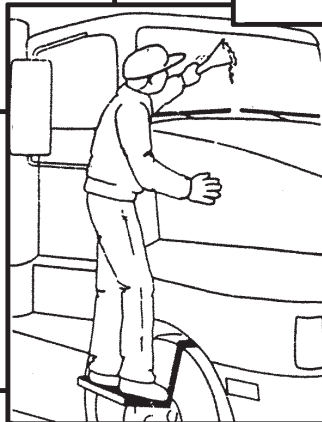
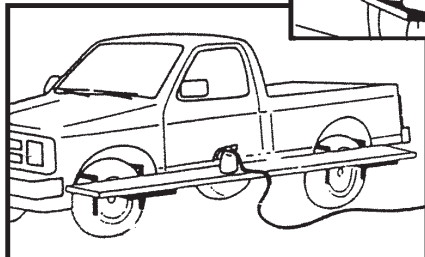


Fig. 5



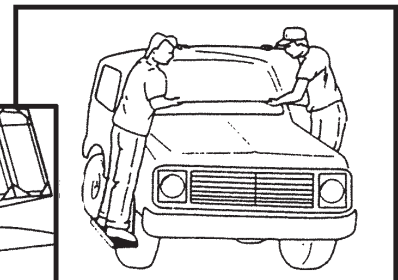
AUTO BODY AND PAINT

Fig. 6



LUGGAGE RACK

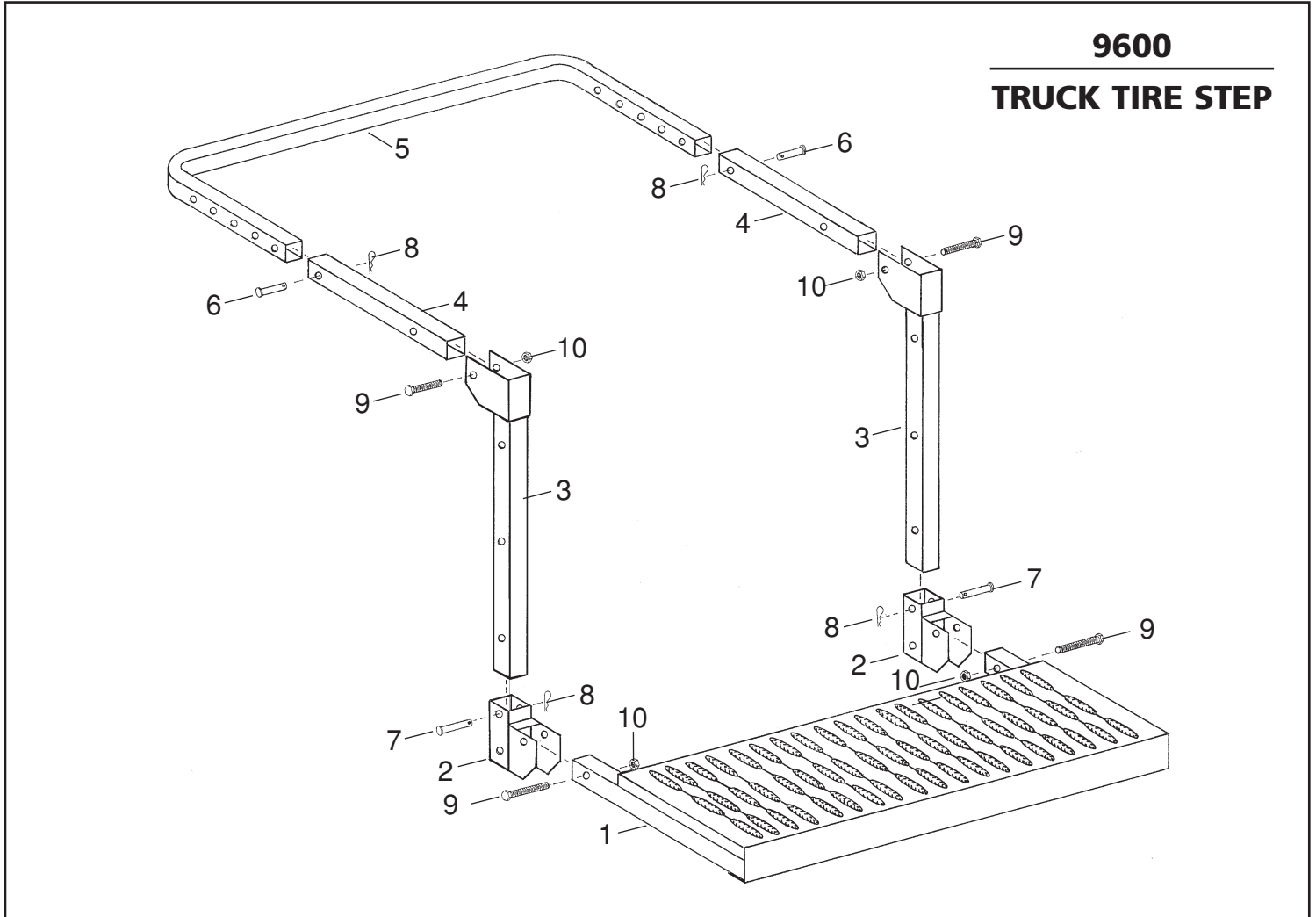
Fig. 7



GLASS REPAIR

Know Your Truck Tire Step

Familiarize yourself with all operating features and how they work.
Always keep safety in mind when using your Truck Tire Step.



- | | |
|--------------------|----------------|
| 1 – Step | 6 – Pin |
| 2 – Connector | 7 – Pin |
| 3 – Adjusting Tube | 8 – Clevis Pin |
| 4 – Slide Tube | 9 – Bolt |
| 5 – Adjusting Tube | 10 – Nut |

Above diagram for assembly purposes. Only part available for purchase:
RS405BK Bolt Kit (including 2 each #6, 7; 4 each #8, 9,10)

WARNING

IMPORTANT WARNING: Vehicle Wheels must be wedged and brakes must be locked before using Tire Step.

IMPORTANT WARNING: Never use Tire Step without adjustment pins locked into place by use of clevis pins. Check condition of entire unit before each usage. Check that the adjustment lock pins and clevis pins are securely in place.

IMPORTANT WARNING: If using two Tire Steps to make an extended platform (see Figure 5) , vehicle wheels must be wedged and brakes locked and both ends of platform must be securely bolted to each Tire Step. Extension material must be of adequate size and strength to hold weight placed on it. It is also recommended you place a strong support box between the steps, under the extension, to add strength to the extended platform.

WARRANTY

Sunex Tools warrants Truck Tire Steps for a period of 1 year against defects in material or workmanship. This warranty does not apply to normal wear and tear, nor does it cover any damage caused by careless or unsafe handling, alterations, accidents, misuse, or repair attempts by anyone other than an authorized warranty center.

This warranty gives you specific rights. You may also have other rights which vary from state to state. The foregoing obligation is Sunex Tools' sole liability under this or any implied warranty and under no circumstances shall Sunex Tools be liable for any incidental or consequential damages.

Note: Some states do not allow the exclusion or limitation of incidental or consequential damages so the above limitation or exclusion may not apply to you.