

- **Operating Instructions**
- **Warning Instructions**
- **Parts Breakdown**



SUNEX[®]
T O O L S



9601

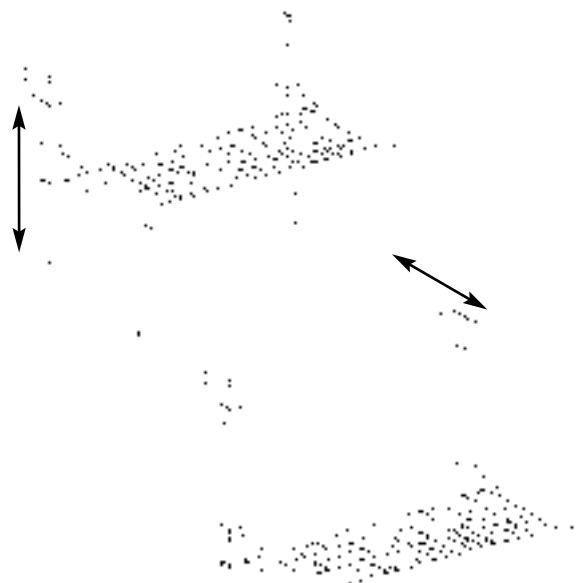
TRUCK TIRE STEP

READ ENCLOSED WARNING LABEL BEFORE USING TIRE STEP

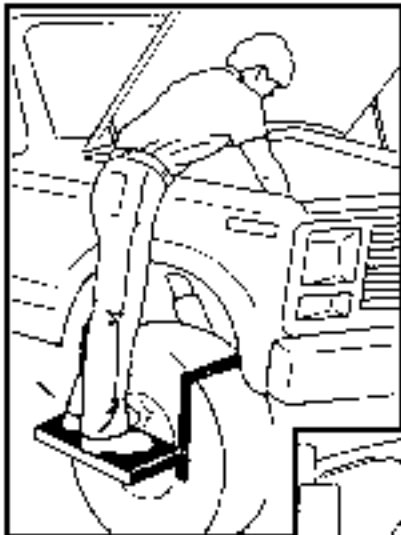
Operating Instructions

ADJUSTMENT TO FIT OVER TIRE: While step is still folded and placed on the ground, remove Pin A, slide Back Arm to proper adjustment, re-insert Pin A in same direction as removed, lock pin with clevis pin.

TO ADJUST VERTICALLY IN HEIGHT: While step is still folded and placed on the ground, remove Pin B, adjust step to height desired, re-insert Pin B in same direction as removed, lock pin with clevis pin.



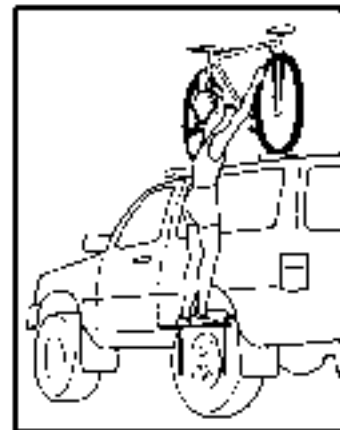
MECHANICS



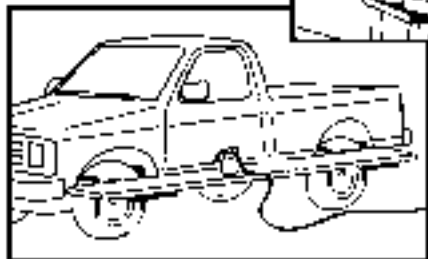
HOME USE



SPORTING GOODS



DIESEL TRUCK



AUTO BODY AND PAINT



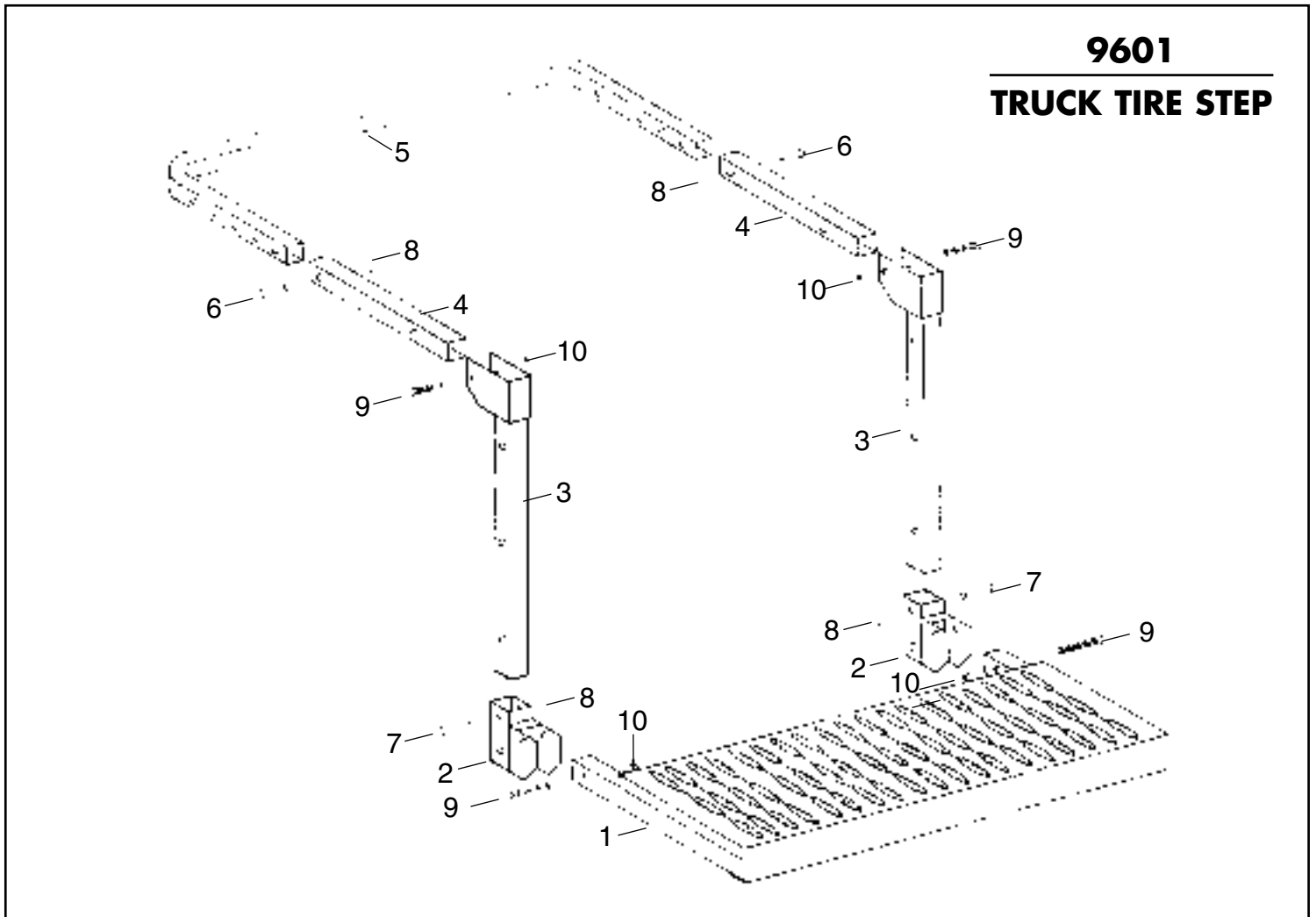
LUGGAGE RACK



GLASS REPAIR

Know Your Truck Tire Step

Familiarize yourself with all operating features and how they work.
Always keep safety in mind when using your Truck Tire Step.



- | | |
|--------------------|----------------|
| 1 - Step | 6 - Pin |
| 2 - Connector | 7 - Pin |
| 3 - Adjusting Tube | 8 - Clevis Pin |
| 4 - Slide Tube | 9 - Bolt |
| 5 - Adjusting Tube | 10 - Nut |

Above diagram for assembly purposes. Only part available for purchase:
RS405BK Bolt Kit (including 2 each #6, 7; 4 each #8, 9, 10)

WARNING

IMPORTANT WARNING: Vehicle wheels must be wedged and brakes must be locked before using Tire Step.

IMPORTANT WARNING: Never use Tire Step without adjustment pins locked into place by use of clevis pins. Check condition of entire unit before each usage. Check that the adjustment lock pins and clevis pins are securely in place.

IMPORTANT WARNING: If using two Tire Steps to make an extended platform, vehicle wheels must be wedged and brakes locked and both ends of platform must be securely bolted to each Tire Step. Extension material must be of adequate size and strength to hold weight placed on it. It is also recommended you place a strong support box between the steps, under the extension, to add strength to the extended platform.

LIMITED WARRANTY...

SUNEX INTERNATIONAL, INC. WARRANTS TO ITS CUSTOMERS THAT THE COMPANY'S SUNEX TOOLS® BRANDED PRODUCTS ARE FREE FROM DEFECTS IN WORKMANSHIP AND MATERIALS.

Sunex International, Inc. will repair or replace its Sunex Tools® branded products which fail to give satisfactory service due to defective workmanship or materials, based upon the terms and conditions of the following described warranty plans attributed to that specific product. This product carries a 1 year warranty. During this warranty period, Sunex Tools will repair or replace at our option any part or unit which proves to be defective in material or workmanship.

Other important warranty information...

This warranty does not cover damage to equipment or tools arising from alteration, abuse, misuse, damage and does not cover any repairs or replacement made by anyone other than Sunex Tools or its authorized warranty service centers. The foregoing obligation is Sunex Tools' sole liability under this or any implied warranty and under no circumstances shall we be liable for any incidental or consequential damages.

Note: Some states do not allow the exclusion or limitation of incidental or consequential damages, so the above limitation or exclusion may not apply to you. Please contact your local Sunex distributor for proper warranty handling procedures.

If you have any questions about warranty service, please write to Sunex Tools. This warranty gives you specific legal rights and you may also have other rights which vary from state to state. Repair kits and replacement parts are available for many of Sunex Tools products regardless of whether or not the product is still covered by a warranty plan.

Shipping Address: Sunex Tools • 315 Hawkins Rd. • Travelers Rest, SC 29690

Mailing Address: Sunex Tools • P.O. Box 4215 • Greenville, SC 29608