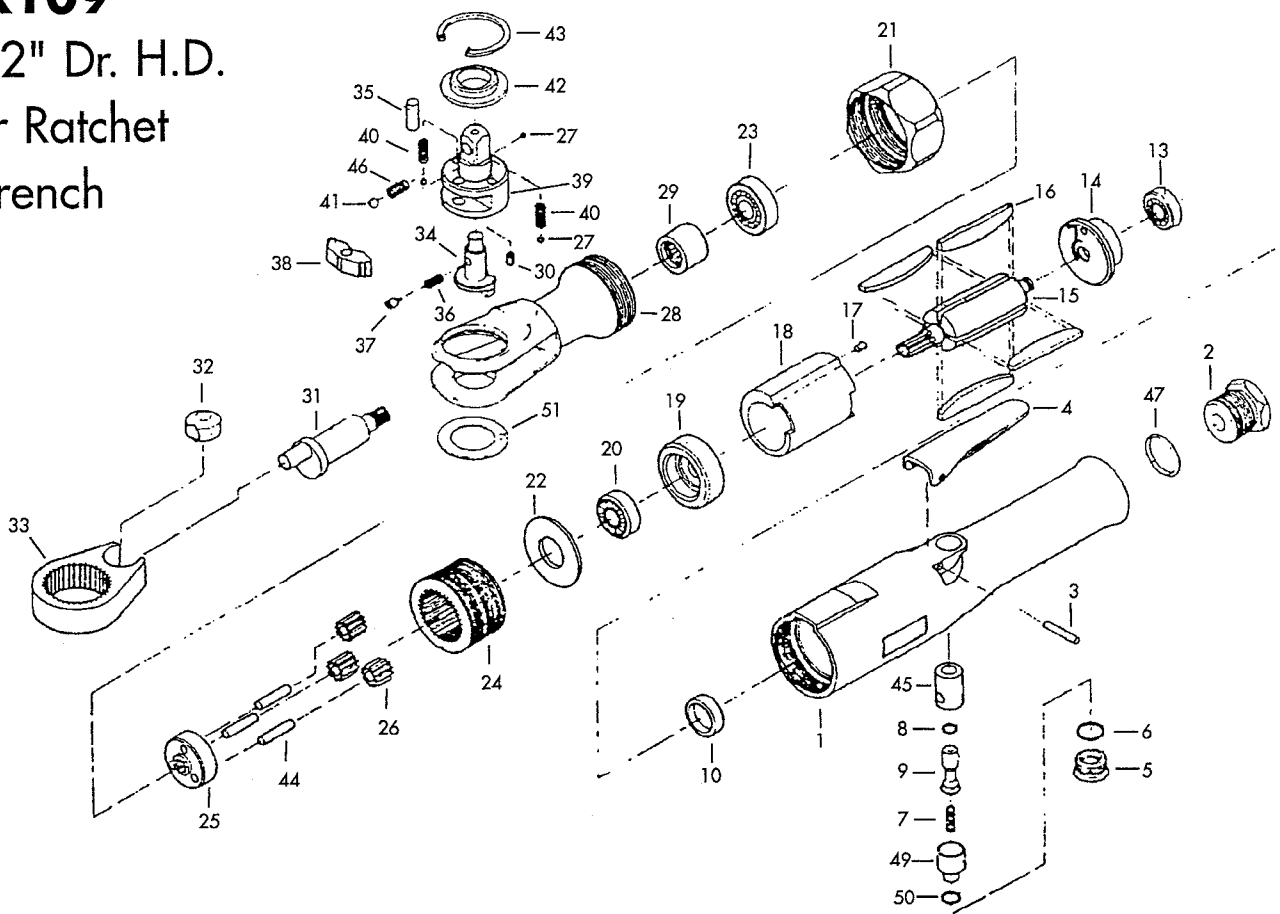


# SX109

1/2" Dr. H.D.

Air Ratchet  
Wrench



Ref. #	Item #	DESCRIPTION	QTY	Ref. #	Item#	DESCRIPTION	QTY
1	10901	Motor Housing	1	*27		Steel Ball (Head Kit)	3
2	10902	Hose Adapter	1	28	10928	Ratchet Housing	1
3	10903	Spring Pin	1	29	10929	Needle Bearing	1
4	10904	Throttle Lever	1	*30		Spring Pin (Head Kit)	1
5	10905	Valve Screw	1	31	10931	Crank Shaft	1
6	10906	O-Ring	1	32	10932	Drive Bushing	1
7	10907	Valve Spring	1	33	10933	Yoke	1
8	10908	O-Ring	1	*34		Reverse Button (Head Kit)	1
9	10909	Valve Stem	1	*35		Needle Roller (Head Kit)	1
10	10910	Bearing Cap	1	*36		Reverse Spring (Head Kit)	1
13	21417	Ball Bearing	1	*37		Lock Pin (Head Kit)	1
14	10914	Rear End Plate	1	*38		Pawl (Head Kit)	1
15	10915	Rotor	1	*39		Ratchet Anvil inc. #41 & 46 (Head Kit)	1
16	10916	Rotor Blade	4	*40		Spring (Head Kit)	2
17	10917	Spring Pin	1	*41		Steel Ball (Head Kit)	1
18	10918	Cylinder	1	*42		Thrust Washer (Head Kit)	1
19	10919	Front End Plate	1	*43		Internal Stop Ring (Head Kit)	1
20	10920	Ball Bearing	1	44	10944	Needle Roller	3
21	10921	Clamp Nut	1	45	10945	Bushing	1
22	10922	Washer	1	*46		Spring (Head Kit)	1
23	29120	Ball Bearing	1	47	10947	O-Ring	1
24	10924	Internal Gear	1	49	10949	Air Regulator	1
25	10925	Idler Gear Plate	1	50	10950	O-Ring	1
26	10926	Idler Gear	3	*51		Washer (Head Kit)	1

\*These parts available in Head Kit Only (RHK109)