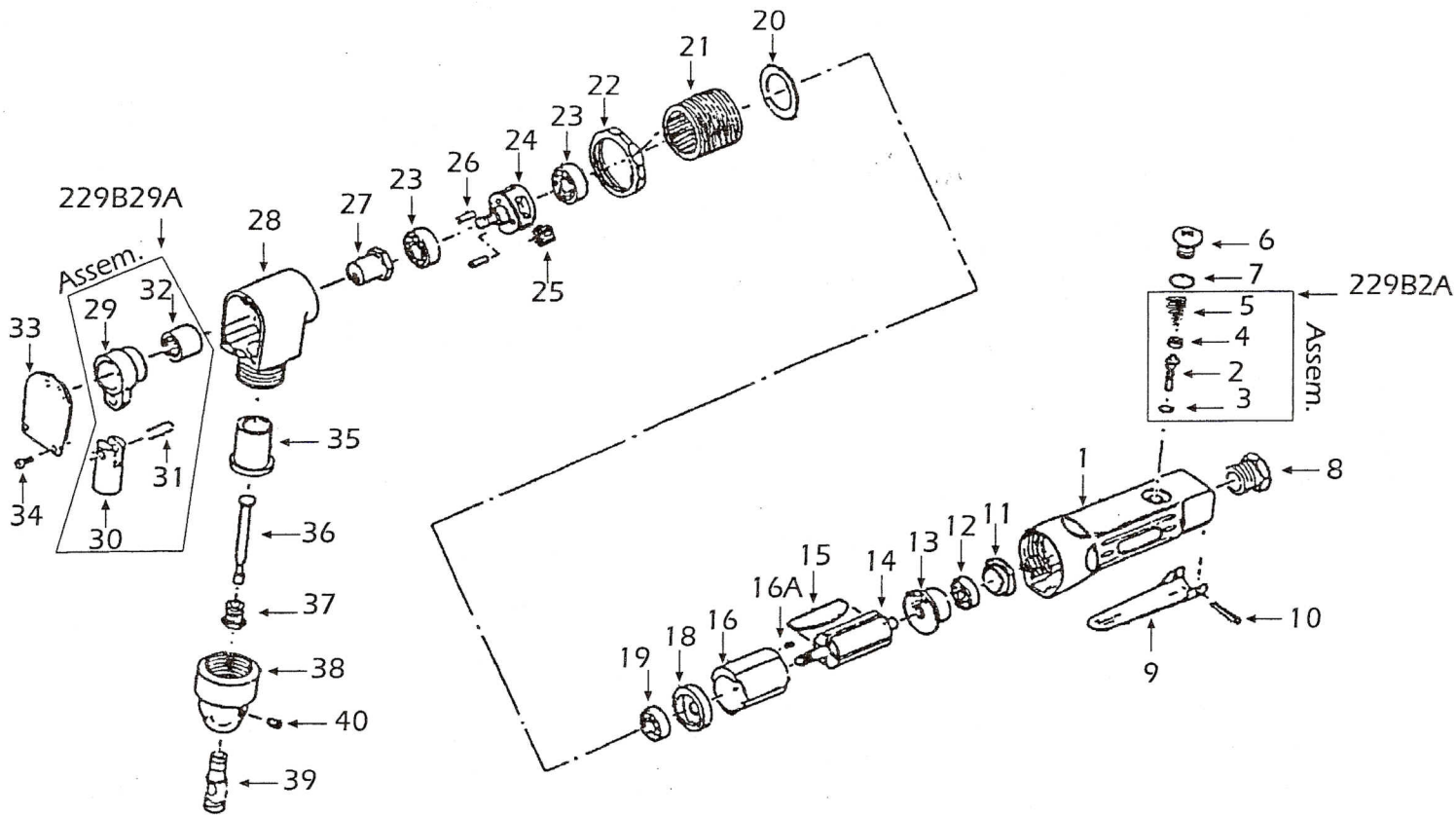




SX-229B

Air Nibbler



REF. NO.	PART NO.	DESCRIPTION	QTY.
1	229B1	Motor Housing	1
*2		Throttle Valve	1
*3		Throttle Valve Seal	1
*4		Throttle Valve Spring Seat	1
*5		Throttle Valve Spring	1
6	229B06	Throttle Valve Plug	1
7	229B07	Throttle Valve Plug Seal	1
8	229B08	Inlet Bushing	1
9	229B09	Throttle Lever	1
10	229B10	Throttle Lever Pin	1
11	229B11	End Plate Cap	1
12	229B12	Rear Rotor Bearing	1
13	229B13	Rear End Plate	1
14	229B14	Rotor	1
15	229B15	Vane	4
16	229B16	Cylinder	1
17	229B16A	Cylinder Dowel	1
18	229B18	Front End Plate	1
19	229B19	Front Rotor Bearing	1
20	229B20	Motor Clamp Washer	1

REF. NO.	PART NO.	DESCRIPTION	QTY.
21	221B21	Gear Case	1
22	221B22	Gear Case Nut	1
23	221B23	Spindle Bearing	2
24	229B24	Spindle	1
25	229B25	Spindle Planet Gear	2
26	229B26	Spindle Planet Gear Shaft	2
27	229B27	Eccentric Nut	1
28	229B28	Nibbler Housing	1
**29		Nibble Crank	1
**30		Crankshaft	1
**31		Crankshaft Pin	1
**32		Crank Bearing	1
33	229B33	Nibbler Housing Cover	1
34	229B34	Housing Cover Screw	3
35	229B35	Crankshaft Bushing	1
***36	229B36	Cutter	1
37	229B37	Cutter Locknut	1
38	229B38	Nibbler Housing Nut	1
39	229B39	Cutter Die	1
***40	229B40	Cutter Die Setscrew	1

* Available in Assembly Only Part #229B2A

**Available in Assembly Only Part 229B29A

***Also Available Separate or as an Assembly Part 22936BW