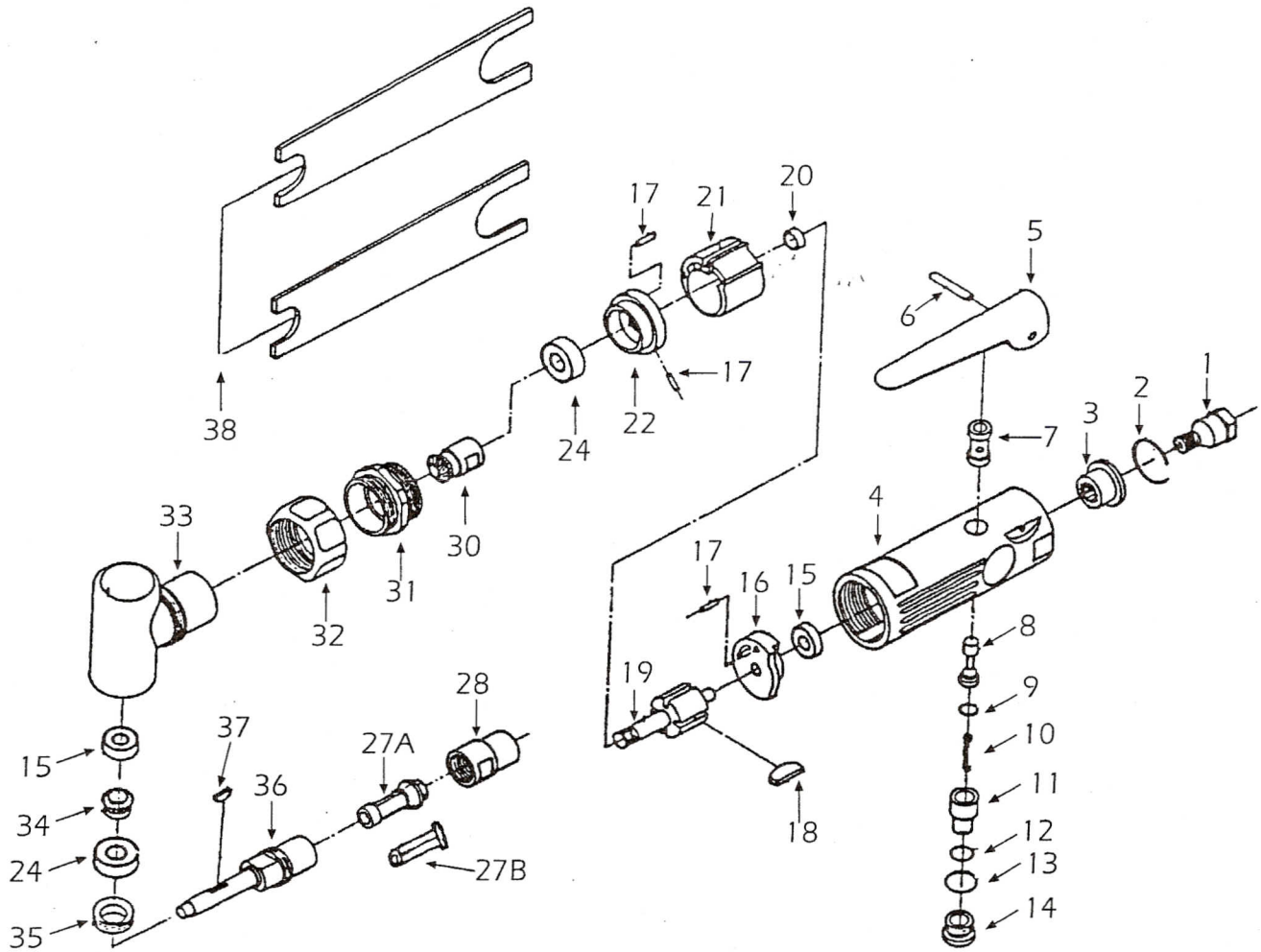




SX-232A

Angle Head Mini Die Grinder Silver Housing



REF. NO.	PART NO.	DESCRIPTION	QTY.
1	103501	Air Inlet	1
2	103502	Retaining Ring	1
3	103503	Exhaust Sleeve	1
4	103504	Housing	1
5	103505	Throttle Lever	1
6	103506	Level Pin	1
7	103507	Throttle Valve	1
8	103508	Valve Stem	1
9	103509	O-Ring	1
10	103510	Spring	1
11	103511	Air Regulator	1
12	103512	O-Ring	1
13	103513	O-Ring	1
14	103514	Valve Screw	1
15	106211	Ball Bearing	2
16	103516	Rear End Plate	1
17	103517	Pin	3
18	103518	Rotor Blade	4

REF. NO.	PART NO.	DESCRIPTION	QTY.
19	103519	Rotor	1
20	103520	Rotor Collar	1
21	103521	Cylinder	1
22	103522	Front End Plate	1
24	21417	Ball Bearing	2
27	103527A	1/4" Collet -	2
	103527B	1/8" Collet	
28	103528	Collet Nut	1
30	103630	Bevel Gear	1
31	103631	Cap Lock	1
32	103632	Threaded Cap	1
33	103633	Angle Housing	1
34	103634	Bevel Gear	1
35	103635	Clamp Nut	1
36	103636	Spindle	1
37	103637	Key	1
38	103638	Double Ended Spanner	2