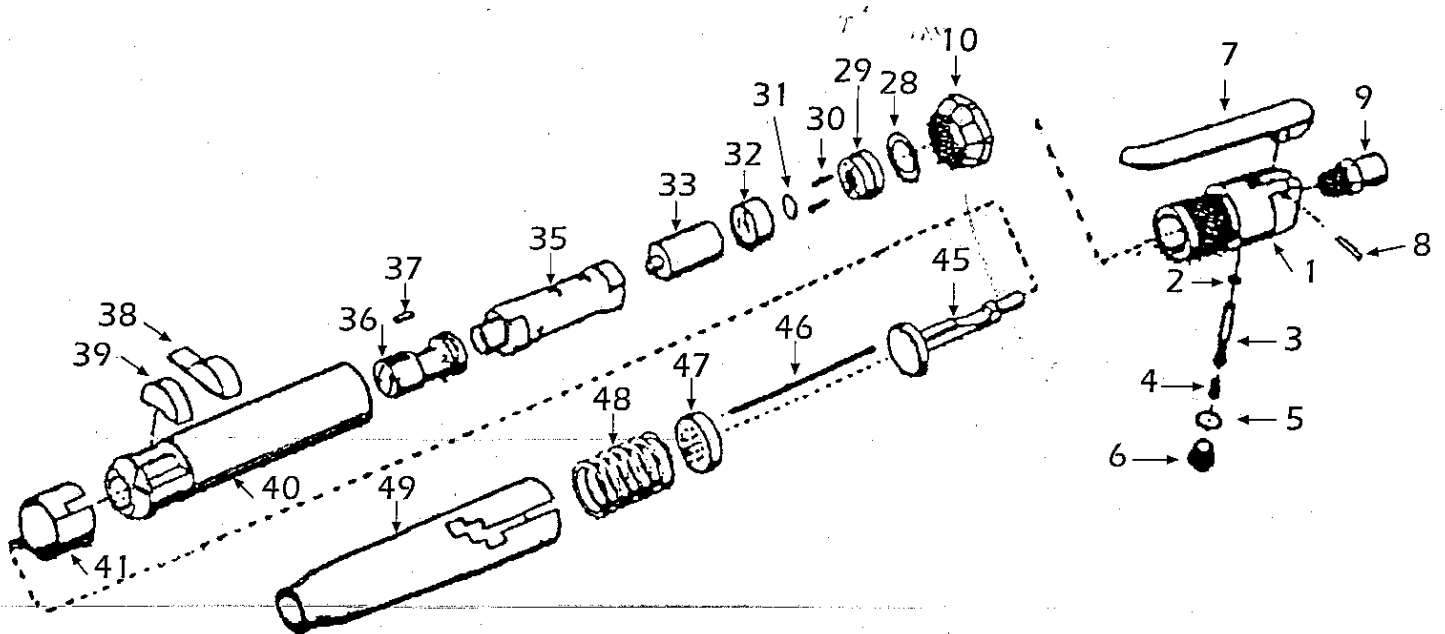




# SX-247

## Heavy Duty Needle Scaler



REF. NO.	PART NO.	DESCRIPTION	QTY.
1	730213	Backhead	1
2	729519	O-Ring	1
3	730214	Throttle Valve	1
4	730215	Spring	1
5	1008365	Gasket	1
6	730216	Valve Cap	1
7	730217	Lever	1
8	729538	Pin	1
9	729747	Hose Adapter	1
10	729597	Locking Ring	1
28	730218	Alignment Shim	1
29	729608	Rear Valve Block	1
30	1012591	Pin	2
31	729604	Valve	1

REF. NO.	PART NO.	DESCRIPTION	QTY.
32	729606	Front Valve Block	1
33	730219	Piston	2
35	731008	Barrel Sleeve	1
36	731009	Nose	1
37	731010	Key	1
38	730220	Driver Retainer	1
39	730221	Retainer Buffer	1
40	730223	Barrel Assem. (Incl: Items 35, 36, 37)	1
41	730222	Retainer Clip	1
45	730224	Needle Driver	1
46	730280	Needle	19
47	730225	Needle Holder	1
48	730226	Spring	1
49	730227	Needle Tube	1