



SUNEX[®]
T O O L S

!WARNING

Some dust created by power sanding, sawing, grinding, drilling, and other construction activities contains chemicals known to cause cancer, birth defects or other reproductive harm. Some examples of these chemicals are:

- lead from lead-based paints,
- crystalline silica from bricks and cement and other masonry products, and
- arsenic and chromium from chemically-treated lumber.

Your risk from these exposures varies, depending on how often you do this type of work. To reduce your exposure to these chemicals: work in a well ventilated area, and work with approved safety equipment, such as those dust masks that are specially designed to filter out microscopic particles.

!WARNING



ALWAYS READ INSTRUCTIONS BEFORE USING POWER TOOLS



ALWAYS WEAR SAFETY GOGGLES



WEAR HEARING PROTECTION



AVOID PROLONGED EXPOSURE TO VIBRATION

SPECIFICATIONS

Punch Hole Size8MM	Air Pressure90 PSI
Capacity14 Gauge	Air Consumption4 CFM
Air Inlet1/4 NPT	Length10"
Hose Size3/8" I.D.	Net Weight3-1/2 Lbs.

SX278C
**8 MM PUNCH/
FLANGE TOOL**

! WARNING

FAILURE TO OBSERVE THESE WARNINGS COULD RESULT IN INJURY.

This Instruction Manual Contains Important Safety Information.



Read THIS INSTRUCTION MANUAL Carefully and understand ALL INFORMATION Before Operating This Tool.

- Always operate, inspect and maintain this tool in accordance with American National Standards Institute Safety Code of Portable Air Tools (ANSI B186.1) and any other applicable safety codes and regulations.
- For safety, top performance and maximum durability of parts, operate this tool at 90 psig 6.2 bar max air pressure with 3/8" diameter air supply hose.



- Always wear impact-resistant eye and face protection when operating or performing maintenance on this tool. Always wear hearing protection when using this tool.



- High sound levels can cause permanent hearing loss. Use hearing protection as recommended by your employer or OSHA regulation.
- Keep the tool in efficient operating condition.
- Operators and maintenance personnel must be physically able to handle the bulk, weight and power of this tool.



- Air under pressure can cause severe injury. Never direct air at yourself or others. Always turn off the air supply, drain hose of air pressure and detach tool from air supply before installing, removing or adjusting any accessory on this tool, or before performing maintenance on this tool. Failure to do so could result in injury. Whip hoses can cause serious injury. Always check for damaged, frayed or loose hoses and fittings, and replace immediately. Do not use quick detach couplings at tool. See instructions for correct set-up.



- Air powered tools can vibrate in use. Vibration, repetitive motions or uncomfortable positions over extended periods of time may be harmful to your hands and arms. Discontinue use of tool if discomfort, tingling feeling or pain occurs. Seek medical advice before resuming use.



- Place the tool on the work before starting the tool.
- Slipping, tripping and/or falling while operating air tools can be a major cause of serious injury or death. Be aware of excess hose left on the walking or work surface.



- Keep body working stance balanced and firm. Do not overreach when operating the tool.
- Anticipate and be alert for sudden changes in motion during start up and operation of any power tool.

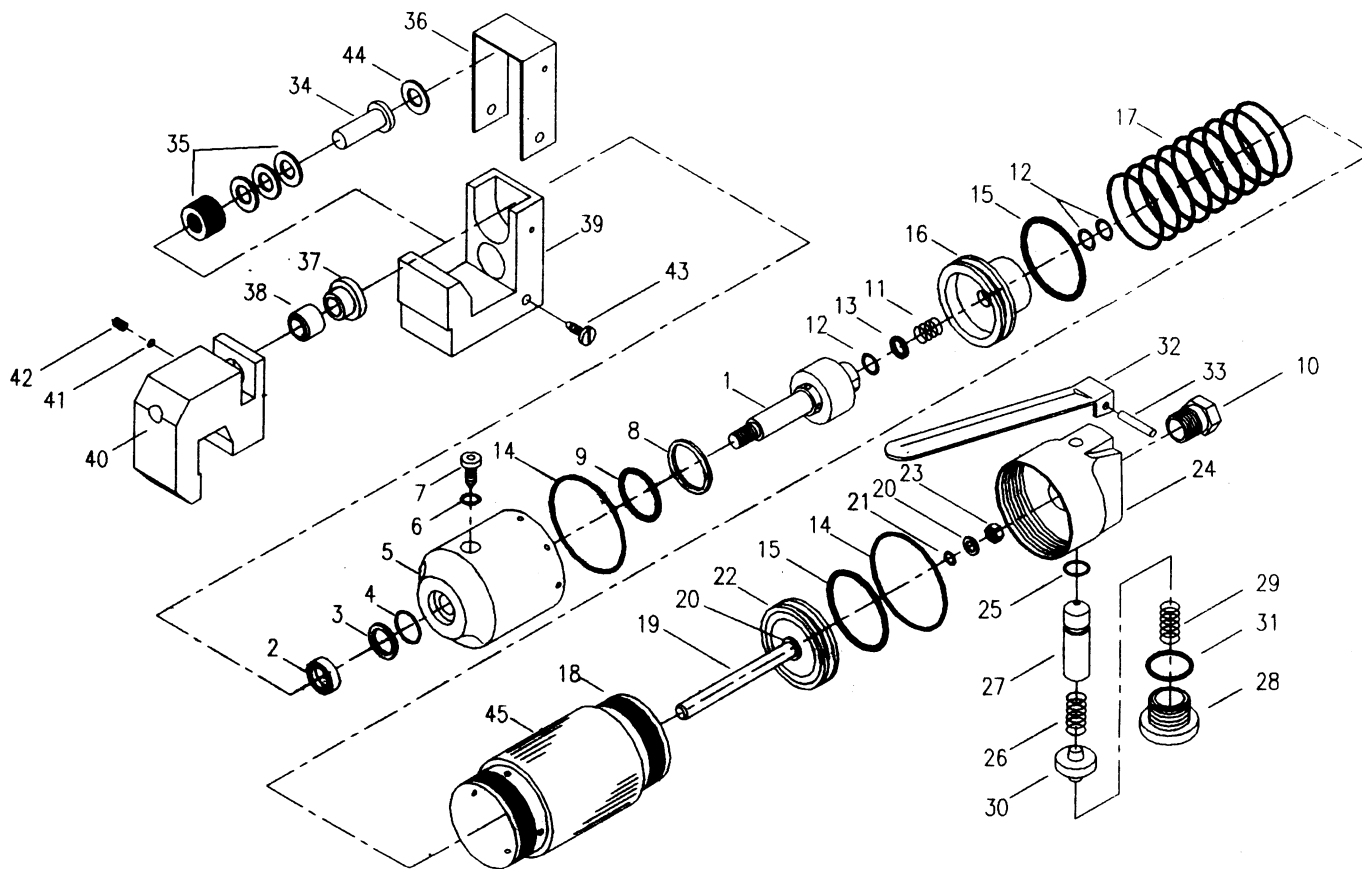


- Do not carry tool by the hose. Protect the hose from sharp objects and heat.
- Keep away from rotating end of tool. Do not wear jewelry or loose clothing. Scalping can occur if hair is not kept away from tool and accessories. Choking can occur if neckwear is not kept away from tool and accessories.

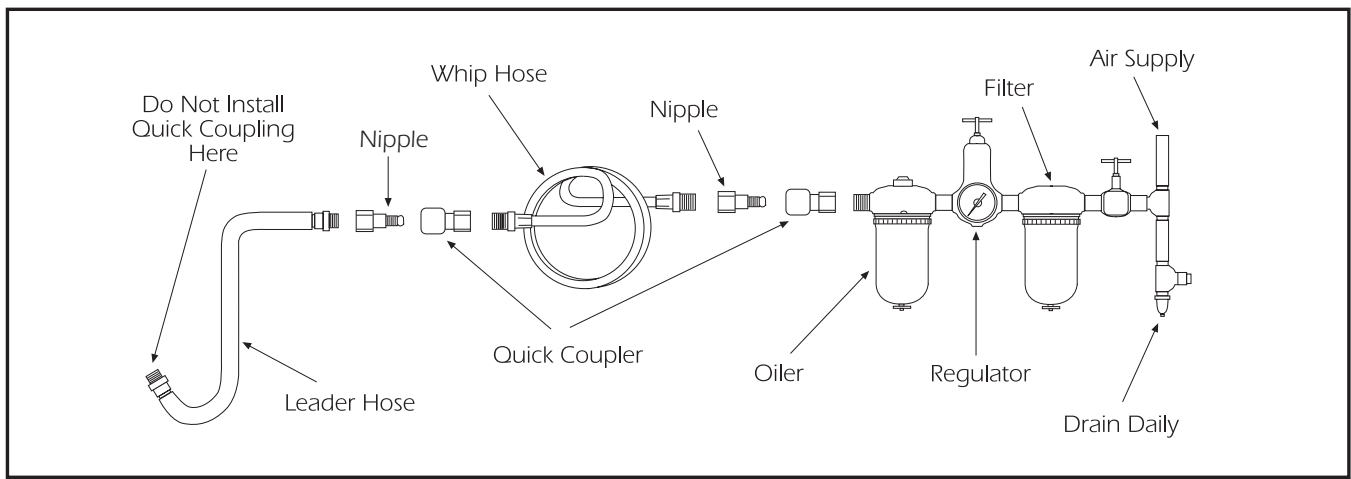
- Do not lubricate tools with flammable or volatile liquids such as kerosene, diesel or jet fuel.
- Don't force tool beyond its rated capacity.
- Do not remove any labels. Replace damaged labels.

SX278C

8MM Punch/Flange Tool



Ref. #	Item #	Description	Qty.	Ref. #	Item #	Description	Qty.
1	83701A	Piston	1	24	83724	Air Valve Body	1
2	83702	Packing	1	25	83725	O-Ring	1
3	83703	Back-Up Ring	1	26	83726	Spring	1
4	83704	O-Ring	1	27	83727	Air Valve	1
5	83705	Cylinder	1	28	83728	Plug	1
6	83706	O-Ring	1	29	83729	Spring	1
7	83707	Oil Plug	1	30	83730	Valve Cover	1
8	83708	Back-Up Ring	1	31	83731	O-Ring	1
9	83709	O-Ring	1	32	83732	Trigger	1
10	83710	Air Inlet	1	33	83733	Pin	1
11	83711	Spring	1	34	83734A	Punch	1
12	83712	O-Ring	3	35	278CSS	Cup Spring Set	1
13	83713	Back-Up Ring	1	36	83736A	Cover	1
14	83714	O-Ring	2	37	83737A	Guide Sleeve	1
15	83715	O-Ring	2	38	83738A	Punching Die	1
16	83716	Piston	1	39	83739A	Anvil Bed	1
17	83717	Spring	1	40	83740A	Punching Die Bed	1
18	83718	Cylinder	1	41	83741	Packing	1
19	83719	Piston Rod	1	42	83742	Screw	1
20	83720	Washer	2	43	83743	Screw	1
21	83721	O-Ring	1	44	83744A	Washer	1
22	83722	Piston	1	45	83745	Red Plastic Wrap	1
23	83723	Lock Nut	1				



Air Supply...

Tools of this class operate on a wide range of air pressures. It is recommended that air pressure of these tools measure 90 PSI at the tool while running free. Higher pressure and unclean air will shorten the tool's life because of faster wear and may create a hazardous condition.

Water in the air line will cause damage to the tool. Drain the air tank daily. Clean the air inlet filter screen on at least a weekly schedule. The recommended hook-up procedure can be viewed above.

The air inlet used for connecting air supply, has standard 1/4" NPT American Thread.

Line pressure should be increased to compensate for unusually long air hoses (over 25 feet). Minimum hose diameter should be 1/4" I.D. and fittings should have the same inside dimensions.

Limited Warranty...

SUNEX INTERNATIONAL, INC. WARRANTS TO ITS CUSTOMERS THAT THE COMPANY'S SUNEX TOOLS® BRANDED PRODUCTS ARE FREE FROM DEFECTS IN WORKMANSHIP AND MATERIALS.

Sunex International, Inc. will repair or replace its Sunex Tools® branded products which fail to give satisfactory service due to defective workmanship or materials, based upon the terms and conditions of the following described warranty plans attributed to that specific product. This product carries a ONE-YEAR warranty. During this warranty period, Sunex Tools will repair or replace at our option any part or unit which proves to be defective in material or workmanship.

Other important warranty information...

This warranty does not cover damage to equipment or tools arising from alteration, abuse, misuse, damage and does not cover any repairs or replacement made by anyone other than Sunex Tools or its authorized warranty service centers. The foregoing obligation is Sunex Tools' sole liability under this or any implied warranty and under no circumstances shall we be liable for any incidental or consequential damages.

Note: Some states do not allow the exclusion or limitation of incidental or consequential damages, so the above limitation or exclusion may not apply to you. Return equipment or parts to Sunex Tools, or an authorized warranty service center, transportation prepaid. Be certain to include your name and address, evidence of the purchase date, and description of the suspected defect.

If you have any questions about warranty service, please write to Sunex Tools. This warranty gives you specific legal rights and you may also have other rights which vary from state to state. Repair kits and replacement parts are available for many of Sunex Tools products regardless of whether or not the product is still covered by a warranty plan.

Shipping Address: Sunex Tools • 315 Hawkins Rd. • Travelers Rest, SC 29690

Mailing Address: Sunex Tools • P.O. Box 4215 • Greenville, SC 29608