

SUNEX[®]
T O O L S

!WARNING

Some dust created by power sanding, sawing, grinding, drilling, and other construction activities contains chemicals known to cause cancer, birth defects or other reproductive harm. Some examples of these chemicals are:

- lead from lead-based paints,
- crystalline silica from bricks and cement and other masonry products, and
- arsenic and chromium from chemically-treated lumber.

Your risk from these exposures varies, depending on how often you do this type of work. To reduce your exposure to these chemicals: work in a well ventilated area, and work with approved safety equipment, such as those dust masks that are specially designed to filter out microscopic particles.

!WARNING



ALWAYS READ INSTRUCTIONS BEFORE USING POWER TOOLS



ALWAYS WEAR SAFETY GOGGLES



WEAR HEARING PROTECTION



AVOID PROLONGED EXPOSURE TO VIBRATION

SPECIFICATIONS

Free Speed	8,000	Pad Size.....	3-5/8" x 6-5/8"
Air Inlet (NPT).....	1/4"	Sound Level	82.5 dBA
Hose Size (ID).....	3/8"	Height.....	4-7/8"
Air Pressure (PSI)	90	Length.....	7-1/16"
Air Consumption	6	Shipping Wt. (Lbs.)	4.4

SX296C

**JITTERBUG
SANDER**

!WARNING

FAILURE TO OBSERVE THESE WARNINGS COULD RESULT IN INJURY.



THIS INSTRUCTION MANUAL CONTAINS IMPORTANT SAFETY INFORMATION.

READ THIS INSTRUCTION MANUAL CAREFULLY AND UNDERSTAND ALL INFORMATION *BEFORE* OPERATING THIS TOOL.

- Always operate, inspect and maintain this tool in accordance with American National Standards Institute Safety Code of Portable Air Tools (ANSI B186.1) and any other applicable safety codes and regulations.

- For safety, top performance and maximum durability of parts, operate this tool at 90 psig/6.2 bar max air pressure with 3/8" diameter air supply hose.



- Always wear impact-resistant eye and face protection when operating or performing maintenance on this tool. Always wear hearing protection when using this tool.



- High sound levels can cause permanent hearing loss. Use hearing protection as recommended by your employer or OSHA regulation.



- Keep the tool in efficient operating condition.
- Operators and maintenance personnel must be physically able to handle the bulk, weight and power of this tool.



- Air under pressure can cause severe injury. Never direct air at yourself or others. Always turn off the air supply, drain hose of air pressure and detach tool from air supply before installing, removing or adjusting any accessory on this tool, or before performing any maintenance on this tool. Failure to do so could result in injury. Whip hoses can cause serious injury. Always check for damaged, frayed or loose hoses and fittings, and replace immediately. Do not use quick detach couplings at tool. See instructions for correct set-up.



- Air powered tools can vibrate in use. Vibration, repetitive motions or uncomfortable positions over extended periods of time may be harmful to your hands and arms. Discontinue use of tool if discomfort, tingling feeling or pain occurs. Seek medical advice before resuming use.



- Place the tool on the work before starting the tool.

- Slipping, tripping and/or falling while operating air tools can be a major cause of serious injury or death. Be aware of excess hose left on the walking or work surface.



- Keep body working stance balanced and firm. Do not overreach when operating the tool.

- Anticipate and be alert for sudden changes in motion during start up and operation of any power tool.



- Do not carry tool by the hose. Protect the hose from sharp objects and heat.

- Tool shaft may continue to rotate briefly after throttle is released. Avoid direct contact with accessories during and after use. Gloves will reduce the risk of cuts or burns.

- Keep away from rotating end of tool. Do not wear jewelry or loose clothing. Secure long hair. Scalping can occur if hair is not kept away from tool and accessories. Choking can occur if neckwear is not kept away from tool and accessories.

- Never mount a grinding wheel on a sander. A grinding wheel that bursts can cause very serious injury or death when not properly guarded. Inspect backing pad before each use. Do not use if cracked or damaged.

- Avoid direct contact with moving sanding pad to prevent pinching or cutting of hands or other body parts.

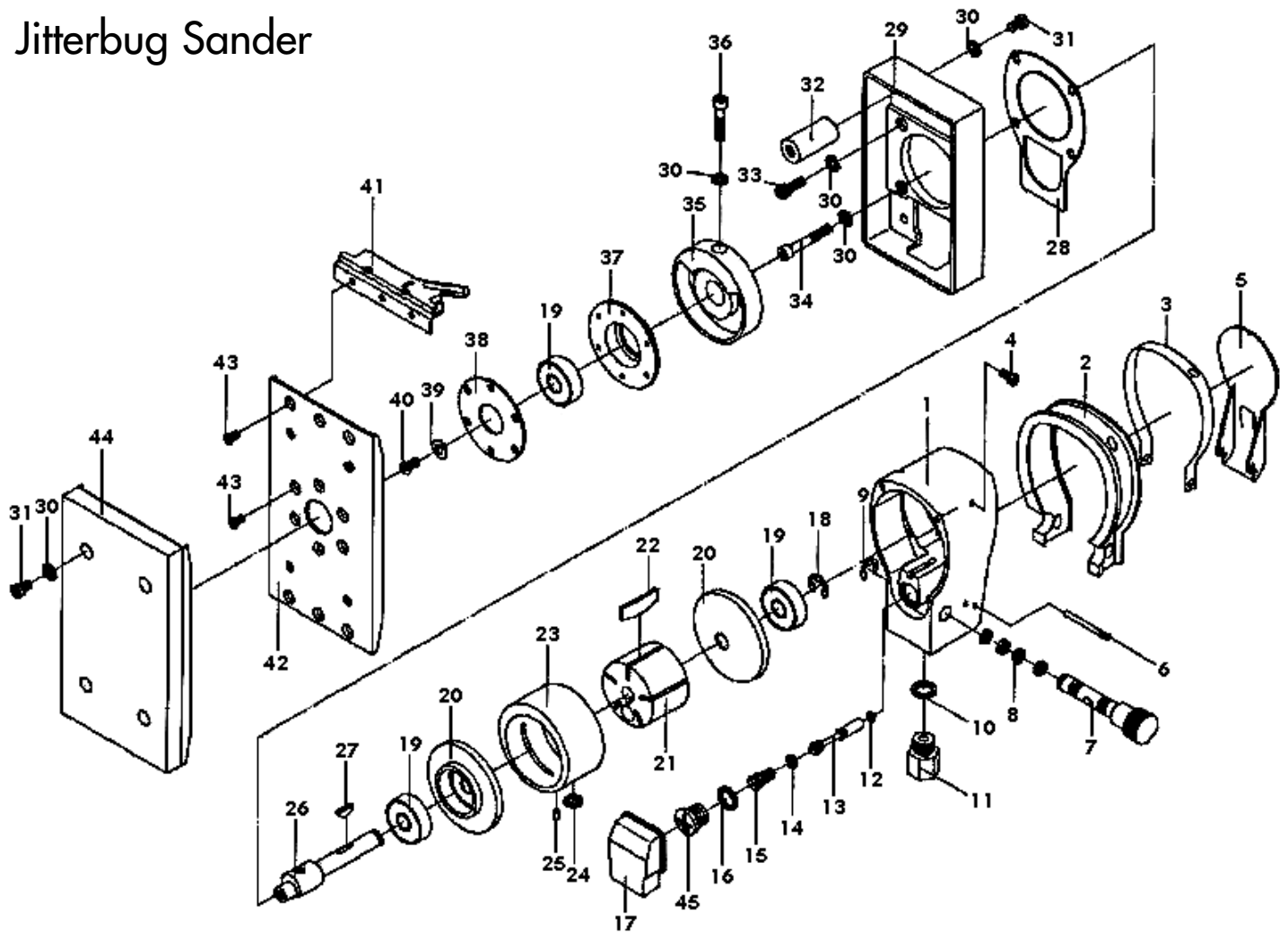
- Do not lubricate tools with flammable or volatile liquids such as kerosene, diesel or jet fuel.

- Do not force tool beyond its rated capacity.

- Do not remove any labels. Replace any damaged labels.

SX296C

Jitterbug Sander



Ref. #	Item #	DESCRIPTION	QTY.	Ref. #	Item #	DESCRIPTION	QTY.
1	RS296C01	Housing	1	24	RS296C24	O-Ring	1
2	RS296C02	Rubber Grip	1	25	RS296C25	Locating Pin	1
3	RS296C03	Grip Band	1	26	RS296C26	Rotor Shaft	1
4	RS296C04	Grip Screw	4	27	RS296C27	Key	1
5	RS296C05	Lever	1	28	RS296C28	Gasket	1
6	RS296C06	Pin	1	29	RS296C29	Base	1
7	RS296C07	Speed Regulator	1	30	RS296C30	Lock Washer	13
8	RS296C08	O-Ring	4	31	RS296C31	Mount Screw	8
9	RS296C09	Retaining Ring	1	32	RS296C32	Rubber Mount	4
10	RS296C10	O-Ring	1	33	RS296C33	Cap Screw	2
11	RS296C11	Air Inlet	1	34	RS296C34	Cap Screw	2
12	RS296C12	O-Ring	1	35	RS296C35	Balancer	1
13	RS296C13	Valve Stem	1	36	RS296C36	Balancer Lock Screw	1
14	RS296C14	O-Ring	1	37	RS296C37	Bearing Housing	1
15	RS296C15	Spring	1	38	RS296C38	Bearing Ret Plate	1
16	RS296C16	O-Ring	1	39	RS296C39	Washer	1
17	RS296C17	Foam Muffler	1	40	RS296C40	Shaft Lock Screw	1
18	RS296C18	Retaining Ring	1	41	RS296C41	Paper Clamp Assembly	2
19	RS29120	Bearing	3	42	RS296C42	Shoe Plate	1
20	RS296C20	End Plate	2	43	RS296C43	Bearing Hang Screw	12
21	RS296C21	Rotor	1	44	RS296C44	Sanding Pad 3-5/8" x 6-5/8"	1
22	RS296C22	Rotor Blade	5	45	RS296C45	Valve Plug	1
23	RS296C23	Cylinder	1				

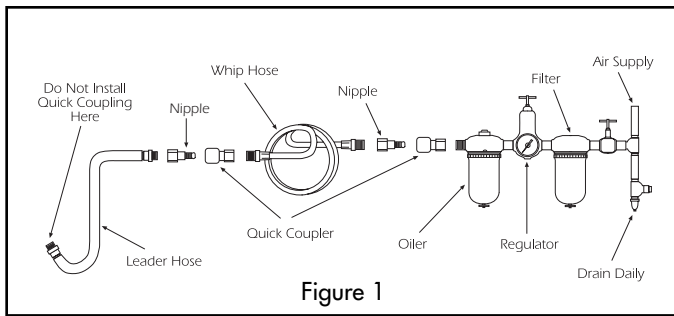


Figure 1

Air Supply...

Tools of this class operate on a wide range of air pressures. It is recommended that air pressure of these tools measures 90 PSI at the tool while running free. Higher pressure and unclean air will shorten tool life because of faster wear and may create a hazardous condition.

Water in the air line will cause damage to the tool. Drain the air tank daily. Clean the air inlet filter screen on at least a weekly schedule. The recommended hookup procedure can be viewed in Figure 1.

The air inlet used for connecting air supply, has standard 1/4" NPT American Thread.

Line pressure should be increased to compensate for unusually long air hoses (over 25 feet). Minimum hose diameter should be 3/8" I.D. and fittings should have the same inside dimensions.

Lubrication...

Lubricate the tool daily with a good grade of air tool oil. If no air line oiler is used, run a teaspoon of oil through the tool. The oil can be squirted into the tool air inlet or into the hose at the nearest connection to the air supply, then run the tool. A rust inhibitive oil is acceptable for air tools.

WARNING: After an air tool has been lubricated, oil will discharge through the exhaust port during the first few seconds of operation. The exhaust port must be covered with a towel before applying air pressure to prevent serious injury.

Troubleshooting...

Other factors outside the tool may cause loss of power or erratic action. Reduced compressor output, excessive drain on the air line, moisture or restrictions in air pipes or the use of hose connections of improper size or poor condition may reduce air supply. Grit or gum deposits in the tool may cut power and may be corrected by cleaning the air strainer and flushing out the tool with gum solvent oil or an equal mixture of SAE #10 oil and kerosene. If outside conditions are in order and the tool still has erratic performance or low power, disconnect tool from hose and contact your nearest authorized service center.

Operation...

Let the sander do the work. The normal weight of the machine is sufficient for efficient sanding. Do not put additional pressure on the machine. This will only slow down the speed of the pad, reduce sanding efficiency and put an additional burden on the motor. Start the sander off the work, set it down on the work evenly and move it slowly back and forth in wide, overlapping areas. When finished sanding, lift it off the work before stopping the motor.

Limited Warranty...

SUNEX INTERNATIONAL, INC. WARRANTS TO ITS CUSTOMERS THAT THE COMPANY'S SUNEX TOOLS® BRANDED PRODUCTS ARE FREE FROM DEFECTS IN WORKMANSHIP AND MATERIALS.

Sunex International, Inc. will repair or replace its Sunex Tools® branded products which fail to give satisfactory service due to defective workmanship or materials, based upon the terms and conditions of the following described warranty plans attributed to that specific product. This product carries a ONE-YEAR warranty. During this warranty period, Sunex Tools will repair or replace at our option any part or unit which proves to be defective in material or workmanship.

Other important warranty information...

This warranty does not cover damage to equipment or tools arising from alteration, abuse, misuse, damage and does not cover any repairs or replacement made by anyone other than Sunex Tools or its authorized warranty service centers. The foregoing obligation is Sunex Tools' sole liability under this or any implied warranty and under no circumstances shall we be liable for any incidental or consequential damages.

Note: Some states do not allow the exclusion or limitation of incidental or consequential damages, so the above limitation or exclusion may not apply to you. Return equipment or parts to Sunex Tools, or an authorized warranty service center, transportation prepaid. Be certain to include your name and address, evidence of the purchase date, and description of the suspected defect.

If you have any questions about warranty service, please write to Sunex Tools. This warranty gives you specific legal rights and you may also have other rights which vary from state to state. Repair kits and replacement parts are available for many of Sunex Tools products regardless of whether or not the product is still covered by a warranty plan.

Shipping Address: Sunex Tools • 315 Hawkins Rd. • Travelers Rest, SC 29690

Mailing Address: Sunex Tools • P.O. Box 4215 • Greenville, SC 29608