



**SUNEX®**  
T O O L S

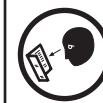
# **! WARNING**

Some dust created by power sanding, sawing, grinding, drilling, and other construction activities contains chemicals known to cause cancer, birth defects or other reproductive harm. Some examples of these chemicals are:

- lead from lead-based paints,
- crystalline silica from bricks and cement and other masonry products, and
- arsenic and chromium from chemically-treated lumber.

Your risk from these exposures varies, depending on how often you do this type of work. To reduce your exposure to these chemicals: work in a well ventilated area, and work with approved safety equipment, such as those dust masks that are specially designed to filter out microscopic particles.

# **! WARNING**



**ALWAYS READ INSTRUCTIONS BEFORE USING POWER TOOLS**



**ALWAYS WEAR SAFETY GOGGLES**



**WEAR HEARING PROTECTION**



**AVOID PROLONGED EXPOSURE TO VIBRATION**

## **SPECIFICATIONS**

Free Speed . . . . .	7,000 RPM	Air Pressure . . . . .	90 PSI
Maximum Torque . . . . .	220 ft/lbs.	Air Cons. . . . .	.4 CFM
Sq. Dr. . . . . .	1/2"	Length . . . . .	.7"
Air Inlet . . . . .	1/4" NPT	Shipping Wt. . . . .	.5-1/2 Lbs.
Hose Size . . . . .	3/8" ID		

# **SX634CZ**

## **1/2" Dr. Impact Wrench**

# ! WARNING

## FAILURE TO OBSERVE THESE WARNINGS COULD RESULT IN INJURY.



THIS INSTRUCTION MANUAL CONTAINS IMPORTANT SAFETY INFORMATION.

READ THIS INSTRUCTION MANUAL CAREFULLY AND UNDERSTAND ALL INFORMATION *BEFORE* OPERATING THIS TOOL.

- Always operate, inspect and maintain this tool in accordance with American National Standards Institute Safety Code of Portable Air Tools (ANSI B186.1) and any other applicable safety codes and regulations.

- For safety, top performance and maximum durability of parts, operate this tool at 90 psig/6.2 bar max air pressure with 3/8" diameter air supply hose.



- Always wear impact-resistant eye and face protection when operating or performing maintenance on this tool. Always wear hearing protection when using this tool.



- High sound levels can cause permanent hearing loss. Use hearing protection as recommended by your employer or OSHA regulation.



- Keep the tool in efficient operating condition.
- Operators and maintenance personnel must be physically able to handle the bulk, weight and power of this tool.



- Air under pressure can cause severe injury. Never direct air at yourself or others. Always turn off the air supply, drain hose of air pressure and detach tool from air supply before installing, removing or adjusting any accessory on this tool, or before performing any maintenance on this tool. Failure to do so could result in injury. Whip hoses can cause serious injury. Always check for damaged, frayed or loose hoses and fittings, and replace immediately. Do not use quick detach couplings at tool. See instructions for correct set-up.



- Air powered tools can vibrate in use. Vibration, repetitive motions or uncomfortable positions over extended periods of time may be harmful to your hands and arms. Discontinue use of tool if discomfort, tingling feeling or pain occurs. Seek medical advice before resuming use.



- Place the tool on the work before starting the tool.

- Slipping, tripping and/or falling while operating air tools can be a major cause of serious injury or death. Be aware of excess hose left on the walking or work surface.

- Keep body working stance balanced and firm. Do not overreach when operating the tool.

- Anticipate and be alert for sudden changes in motion during start up and operation of any power tool.

- Do not carry tool by the hose. Protect the hose from sharp objects and heat.



- Tool shaft may continue to rotate briefly after throttle is released. Avoid direct contact with accessories during and after use. Gloves will reduce the risk of cuts or burns.



- Keep away from rotating end of tool. Do not wear jewelry or loose clothing. Secure long hair. Scalping can occur if hair is not kept away from tool and accessories. Choking can occur if neckwear is not kept away from tool and accessories.

- Impact wrenches are not torque control devices. Fasteners with specific torque requirements must be checked with suitable torque measuring devices after installation with an impact wrench.

- Use only impact wrench sockets and accessories on this tool. Do not use hand sockets and accessories.

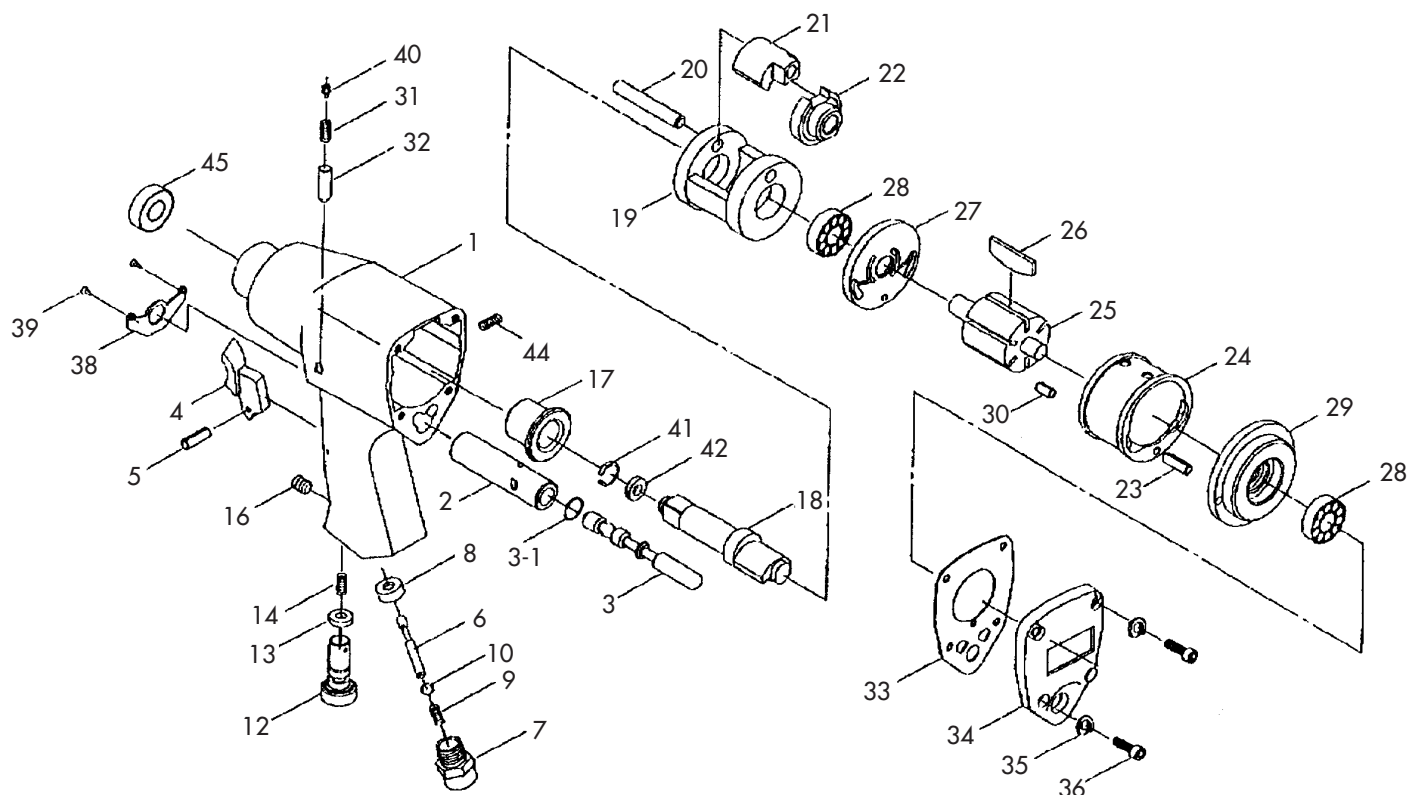
- Do not lubricate tools with flammable or volatile liquids such as kerosene, diesel or jet fuel.

- Do not force tool beyond its rated capacity.

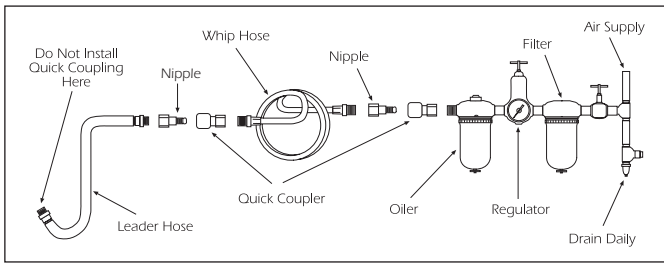
- Do not remove any labels. Replace any damaged labels.

# SX634CZ

## 1/2" Dr. Impact Wrench



REF. NO.	PART NO.	DESCRIPTION	QTY.	REF. NO.	PART NO.	DESCRIPTION	QTY.
1	RS504W01	Housing	1	23	RS504W23	Pin Cylinder	1
2	RS504W02	Valve Sleeve	1	24	RS504W24	Cylinder	1
3	RS504W03	Reverse Valve	1	25	RS504W25	Rotor	1
3-1	RS504W03-1	O-Ring	1	26	RS504W26	Rotor Blade	6
4	RS504W04	Trigger	1	27	RS504W27	Front End Plate	1
5	RS504W05	Pin	1	28	RS227B25	Ball Bearing	2
6	RS504W06	Valve Stem	1	29	RS504W29	Rear End Plate	1
7	RS504W07	Hose Adapter	1	30	RS504W30	Pin	1
8	RS504W08	Bushing	1	31	RS504W31	Spring	1
9	RS504W09	Spring	1	32	RS504W32	Pin	1
10	RS504W10	Steel Ball	1	33	RS504W33	Rear Gasket	1
12	RS504W12	Air Regulator	1	34	RS504W34	Rear Cover	1
13	RS504W13	O-Ring	1	35	RS504W35	Washer	4
14	RS504W14	Spring	1	36	RS504W36	Screw	4
16	RS504W16	Screw	1	38	RS504W38	Exhaust Deflector	1
17	RS504W17	Anvil Bushing	1	39	RS504W39	Screw	2
18	RS504W18	Anvil (1/2")	1	40	RS504W40	Screw	1
19	RS504W19	Hammer Cage	1	41	RS504W41	Anvil Collar	1
20	RS504W20	Hammer Pin	1	42	RS504W42	O-Ring	1
21	RS504W21	Hammer Dog	1	44	RS504W44	Screw	1
22	RS504W22	Drive Cam	1	45	RS504W45	Seal	1
				46	RS504W46	Rubber Boot (not shown)	1



## Air Supply...

Tools of this class operate on a wide range of air pressures. It is recommended that air pressure of these tools measure 90 PSI at the tool while running free. Higher pressure (over 90 psig; 6.2 bar) raises performance beyond the rated capacity of the tool which will shorten tool life because of faster wear and could cause injury.

Always use clean, dry air. Dust, corrosive fumes and/or water in the air line will cause damage to the tool. Drain the air tank daily. Clean the air inlet filter screen on at least a weekly schedule. The recommended hookup procedure can be viewed in the above figure.

The air inlet used for connecting air supply, has standard 1/4" NPT. Line pressure should be increased to compensate for unusually long air hoses (over 25 feet). Minimum hose diameter should be 3/8" I.D. and fittings should have the same inside dimensions and be tightly secured.

## Lubrication...

Lubricate the air motor daily with quality air tool oil. If no air line oiler is used, run a teaspoon of oil through the tool. The oil can be squirted into the tool air inlet or into the hose at the nearest connection to the air supply, then run the tool. The amount of oil to be used is 1 ounce. Overfilling will cause a reduction in the power of the tool.

## Limited Warranty...

**SUNEX INTERNATIONAL, INC. WARRANTS TO ITS CUSTOMERS THAT THE COMPANY'S SUNEX TOOLS® BRANDED PRODUCTS ARE FREE FROM DEFECTS IN WORKMANSHIP AND MATERIALS.**

Sunex International, Inc. will repair or replace its Sunex Tools® branded products which fail to give satisfactory service due to defective workmanship or materials, based upon the terms and conditions of the following described warranty plans attributed to that specific product. This product carries a ONE-YEAR warranty. During this warranty period, Sunex Tools will repair or replace at our option any part or unit which proves to be defective in material or workmanship.

### Other important warranty information...

This warranty does not cover damage to equipment or tools arising from alteration, abuse, misuse, damage and does not cover any repairs or replacement made by anyone other than Sunex Tools or its authorized warranty service centers. The foregoing obligation is Sunex Tools' sole liability under this or any implied warranty and under no circumstances shall we be liable for any incidental or consequential damages.

**Note:** Some states do not allow the exclusion or limitation of incidental or consequential damages, so the above limitation or exclusion may not apply to you. Return equipment or parts to Sunex Tools, or an authorized warranty service center, transportation prepaid. Be certain to include your name and address, evidence of the purchase date, and description of the suspected defect.

If you have any questions about warranty service, please write to Sunex Tools. This warranty gives you specific legal rights and you may also have other rights which vary from state to state. Repair kits and replacement parts are available for many of Sunex Tools products regardless of whether or not the product is still covered by a warranty plan.

**Shipping Address:** Sunex Tools • 315 Hawkins Rd. • Travelers Rest, SC 29690

**Mailing Address:** Sunex Tools • P.O. Box 4215 • Greenville, SC 29608

## Operation...

The air regulator knob can be used as an air throttle, if there are no other means of regulating air. Turn the air regulator knob all the way to position 4 for maximum power.

The air regulator can be used to adjust torque to the approximate tightness of a known fastener.

To set the tool to desired torque, select a nut or screw of known tightness of the same size, thread pitch and thread condition as those on the job. Turn air regulator to low position, apply wrench to nut and gradually increase power (turn regulator to admit more air) until nut moves slightly in the direction it was originally set. The tool is now set to duplicate that tightness - note regulator setting for future use. When tightening nuts not requiring critical torque values, run nut up flush and then tighten an additional one-quarter to one-half turn (slight additional turning is necessary if gaskets are being clamped). For additional power needed on disassembly work, turn regulator to its fully open position. This impact wrench is rated at 1/2" USS bolt size. Rating must be down graded for spring U bolts, tie bolts, long cap screws, double depth nuts, badly rusted conditions and spring fasteners as they absorb much of the impact power. When possible, clamp or wedge the bolt to prevent springback.

Soak rusted nuts in penetrating oil and break rust seal before removing with impact wrench. If nut does not start to move in three to five seconds use a larger size impact wrench. Do not use impact wrench beyond rated capacity as this will drastically reduce tool life.