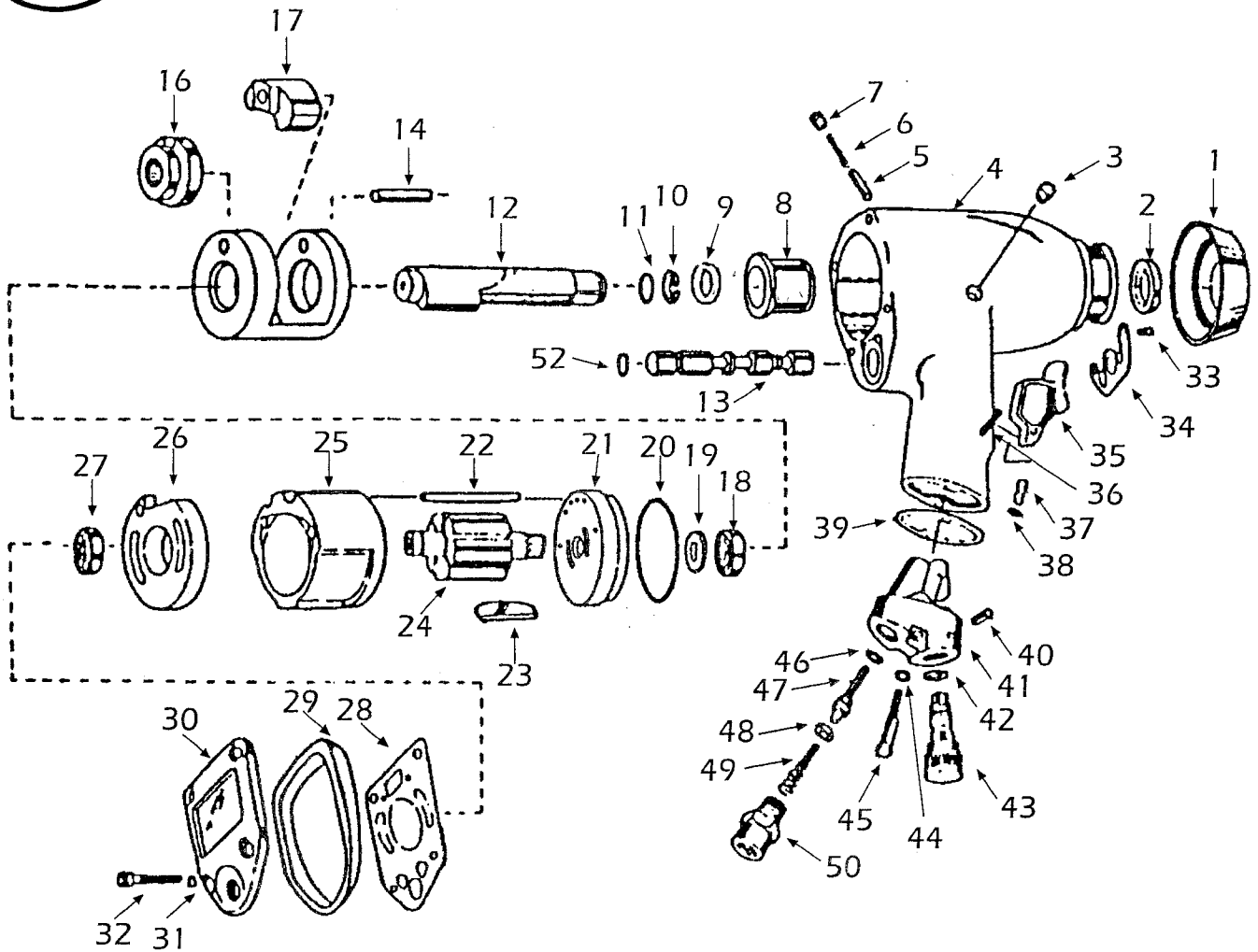




SX-821A

3/8" Pistol Grip Impact Wrench



REF. No.	PART No.	DESCRIPTION	QTY.
1	821A01	Rubber Nose Guard	1
2	106103	Oil Seal	1
3	821A03	Oiler Screw	1
4	821A04	Motor Housing	1
5	821A05	Reverse Valve Pin	1
6	821A06	Reverse Valve Spring	1
7	821A07	Set Screw	1
8	106102	Housing Bushing	1
9	106147	Hammer Cage Bushing	1
10	106146	Socket Ret. Ring	1
11	106145	O-Ring	1
12	106144	Anvil	1
13	821A13	Reverse Valve	1
14	106143	Hammer Cage Pin	1
15	106140	Hammer Cage	1
16	106141	Cam	1
17	106142	Dog	1
18	821A18	Ball Bearing	1
19	821A19	Oil Seal	1
20	821A20	O-Ring	1
21	821A21	Front End Plate	1
22	106134	Motor Pin	1
23	106132	Rotor Blade	6
24	106130	Rotor	1
25	106133	Cylinder	1
26	821A26	Rear End Plate	1

REF. No.	PART No.	DESCRIPTION	QTY.
27	106128	Ball Bearing	1
28	821A28	Gasket	1
29	821A29	Housing Band	1
30	821A30	Rear End Cap	1
31	821A31	Spring Washer	4
32	821A32	Set Screw	4
33	821A33	Screw	2
34	821A34	Exhaust Cover	1
35	821A35	Throttle Lever	1
36	821A36	Pin	1
37	821A37	Push Pin	1
38	821A38	O-Ring	1
39	821A39	Gasket	1
40	821A40	Pin	1
41	821A41	Valve Block	1
42	821A42	O-Ring	1
43	821A43	Regulator Valve	1
44	821A44	Spring Washer	2
45	821A45	Set Screw	2
46	821A46	O-Ring	1
47	821A47	Throttle Valve	1
48	821A48	O-Ring	1
49	821A49	Throttle Valve Spring	1
50	821A50	Hose Adapter	1
52	821A52	O-Ring	1