



⚠️ WARNING

Some dust created by power sanding, sawing, grinding, drilling, and other construction activities contains chemicals known to cause cancer, birth defects or other reproductive harm. Some examples of these chemicals are:

- lead from lead-based paints,
- crystalline silica from bricks, cement and other masonry products, and
- arsenic and chromium from chemically-treated lumber.

The risk of exposure to these types of chemicals varies depending on how frequently you work with certain chemicals. To reduce your exposure to these chemicals, work in a well-ventilated area and work with approved safety equipment, such as dust masks that are specifically designed to filter out microscopic particles.

⚠️ ADVERTENCIA

El polvo ocasionado por del lijado neumático, el aserrado, la rectificación, la perforación y otras actividades de construcción puede contener sustancias químicas conocidas como agentes causantes del cáncer, defectos de nacimiento y otros daños reproductivos. Algunos ejemplos de dichas sustancias químicas son:

- plomo de pintura a base de plomo,
- la sílica cristalina proveniente del ladrillo, cemento y otros productos de mampostería, y
- el arsénico y el cromo proveniente de maderos tratados con sustancias químicas

El riesgo de ser expuesto a estos tipos de sustancias químicas varía según la frecuencia con la cual usted trabaja con ciertas sustancias químicas. Para disminuir la posibilidad de exposición a dichas sustancias químicas, usted debe trabajar en un área bien ventilada y con equipo aprobado de seguridad, tal como las mascarillas de polvo las cuales son diseñadas específicamente para filtrar las partículas microscópicas.

⚠️ AVERTISSEMENT

Les travaux de construction effectués à l'aide d'un outil électrique, comme le sablage, le sciage, le meulage et le perçage, produisent de la poussière qui contient des produits chimiques. De tels produits sont reconnus comme cancérogènes. Ils peuvent aussi causer des anomalies congénitales ou nuire d'une autre manière à la reproduction. Voici quelques exemples de ces produits chimiques :

- le plomb contenu dans les peintures à base de plomb;
- la silice cristallisée contenue dans les briques, le ciment et d'autres produits de maçonnerie;
- l'arsenic et le chrome contenus dans le bois de sciage traité avec des produits chimiques.

Les risques d'exposition à ces produits chimiques varient selon la fréquence d'utilisation de certains matériaux. Pour réduire l'exposition, il est recommandé de travailler dans un endroit bien aéré et de porter de l'équipement de protection approuvé tel qu'un masque antipoussière spécialement conçu pour filtrer les particules microscopiques.

*THIS INSTRUCTION MANUAL CONTAINS
IMPORTANT SAFETY INFORMATION*

*READ CAREFULLY AND UNDERSTAND ALL
INFORMATION
BEFORE OPERATING THIS TOOL!*

*SAVE THIS MANUAL
FOR FUTURE REFERENCE.*

*LAS INSTRUCCIONES EN ESPAÑOL
COMIENZAN EN LA PÁGINA # 8.*

*ESTE MANUAL DE INSTRUCCIONES
CONTIENE IMPORTANTES
INFORMACIONES DE SEGURIDAD*

*¡LEA CUIDADOSAMENTE Y ASEGÚRESE
DE COMPRENDER TODAS ESTAS
INFORMACIONES, ANTES DE PROCEDER
CON EL FUNCIONAMIENTO DE ESTA
HERRAMIENTA!*

*CONSERVE ESTE MANUAL
PARA TENER UNA REFERENCIA
EVENTUAL.*

*INSTRUCTIONS EN FRANÇAIS À PARTIR
DE LA PAGE 13.*

*CE GUIDE D'UTILISATION
RENFERME D'IMPORTANTES
CONSIGNES DE SÉCURITÉ.*

*LISEZ-LE ATTENTIVEMENT ET
ASSUREZ-VOUS D'AVOIR BIEN
COMPRIS TOUTES LES DIRECTIVES AVANT
D'UTILISER CET OUTIL!*

*CONSERVER CE GUIDE POUR
CONSULTATION ULTÉRIEURE.*

3/16" 6" RANDOM ORBITAL SANDER

**LIJADORA ORBITAL ALEATORIA 3/16" 6"
PONCEUSE ORBITALE ALÉATOIRE 3/16 PO 6 PO**

6-1151

3/32" 6" RANDOM ORBITAL SANDER

**LIJADORA ORBITAL ALEATORIA 3/32" 6"
PONCEUSE ORBITALE ALÉATOIRE 3/32 PO 6 PO**

6-1152

3/32" 3" RANDOM ORBITAL SANDER

**LIJADORA ORBITAL ALEATORIA 3/32" 3"
PONCEUSE ORBITALE ALÉATOIRE 3/32 PO 3 PO**

6-1153

! WARNING

FAILURE TO OBSERVE THESE WARNINGS COULD RESULT IN INJURY.

THIS INSTRUCTION MANUAL CONTAINS IMPORTANT SAFETY INFORMATION. READ THIS INSTRUCTION MANUAL CAREFULLY AND UNDERSTAND ALL INFORMATION BEFORE OPERATING THIS TOOL.



• Read and understand all instructions. Failure to follow all instructions listed below, may result in electric shock, fire, explosion and/or serious personal injury. It is the responsibility of the owner to make sure all personnel read this manual prior to using the tool. It is also the responsibility of the tool owner to keep this manual intact and in a convenient location for all to see and read. If the manual or product labels are lost or not legible, contact NAPA for replacements. If the operator is not fluent in English, the product and safety instructions shall be read and discussed with the operator in the operator's native language by the purchaser/owner or his designee, making sure that the operator comprehends its contents.

• Always operate, inspect and maintain this tool in accordance with American National Standards Institute Safety Code of Portable Air Tools (ANSI B186.1) and any other applicable safety codes and regulations.

• For safety, top performance and maximum durability of parts, operate this tool at 90 psig; 6.2 bar max air pressure with 3/8" diameter air supply hose.

• Always wear safety goggles and breathing apparatus (users & bystanders).

• To reduce exposure to sanding debris, work in a well ventilated area with proper personal protection equipment.

• High sound levels can cause permanent hearing loss. Always use hearing protection as recommended by your employer an OSHA regulations while using this tool (users and bystanders).

• Keep the tool in efficient operating condition.

• Operators and maintenance personnel must be physically able to handle the bulk, weight and power of this tool.

• Air under pressure can cause severe injury. Never direct air at yourself or others. Always turn off the air supply, drain hose of air pressure and detach tool from air supply before installing, removing or adjusting any accessory on this tool, or before performing any maintenance on this tool. Failure to do so could result in injury. Whip hoses can cause serious injury. Always check for damaged, frayed or loose hoses and fittings, and replace immediately. Do not use quick detach couplings at tool. See instructions for correct set-up.

• Keep tool out of reach of children.

• Air powered tools can vibrate in use. Vibration, repetitive motions or uncomfortable positions over extended periods of time may be harmful to your hands and arms. Discontinue use of tool if discomfort, tingling feeling or pain occurs. Seek medical advice before resuming use.

• Slipping, tripping and/or falling while operating air tools can be a major cause of serious injury or death. Be aware of excess hose left on the walking or work surface.

• Keep body working stance balanced and firm. Do

not overreach when operating the tool.

• Do not point or indulge in any horseplay with this tool.

• Note direction of rotation BEFORE operating this tool.

• Anticipate and be alert for sudden changes in motion during start up and operation of any power tool.

• Do not carry tool by the hose. Protect the hose from sharp objects and heat.

• Tool shaft may continue to rotate briefly after throttle is released. Avoid direct contact with accessories during and after use. Gloves will reduce the risk of cuts or burns.

• Keep away from rotating end of tool. Do not wear jewelry or loose clothing. Secure long hair. Scalping can occur if hair is not kept away from tool and accessories. Choking can occur if neckwear is not kept away from tool and accessories.

• Sanding against sharp corners may damage the pad, rendering it useless.

• **Do not lock, tape or wire the "on/off" lever in the "on" position, as the lever must be free to return to the "off" position when released.**

• Do not use (or modify) the tool for any other purpose than that for which it was designed without consulting the manufacturer's authorized representative.

• Use only a sanding pad & sandpaper with this tool.

• Do not use any grinding wheel, burr or metal removing accessory with this tool.

• **Ensure the MAX rating (RPM) of the sanding accessories is higher than the tools rated RPM.**

• Use accessories recommended by NAPA.

• Do not lubricate tools with flammable or volatile liquids such as kerosene, diesel or jet fuel.

• This tool is not insulated against electric shock.

• This tool must not be used in explosive atmospheres.

• Servicing and repairs should only be made by an authorized service center.

• Do not force tool beyond its rated capacity.

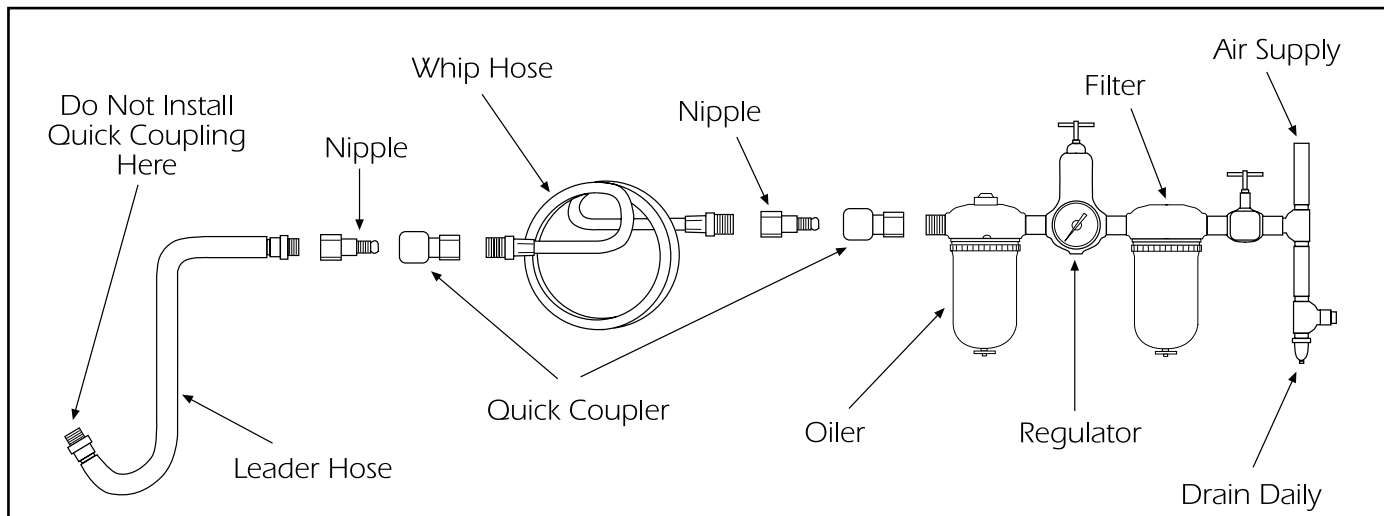
• Do not remove any labels. Replace damaged labels.

• Failure to heed these warnings may result in personal injury and/or property damage.



WARNING: This product can expose you to chemicals including nickel which is known to the State of California to cause cancer and birth defects or other reproductive harm. For more information go to www.P65Warnings.ca.gov.

AIR SUPPLY



Tools operate on a wide range of air pressures. It is recommended that air pressure measures 90 PSI at the tool with the trigger fully depressed and no load applied to the tool. Low pressure (under 90 psig; 6.2 bar) reduces the speed of all air tools. Low air pressure not only wastes time, but also costs money. Higher pressure (over 90 psig; 6.2 bar) raises performance beyond the rated capacity of the tool, which will shorten tool life and could cause injury. The recommended hookup procedure can be viewed in the above figure.

Always use clean, dry air. Dust, corrosive fumes, and/or water in the air line will

cause damage to the tool. Drain the air tank daily. Clean the air inlet filter screen at least once per week.

The air inlet used for connecting the air supply has standard 1/4" NPT American Thread. Line pressure should be increased to compensate for unusually long air hoses (over 25 feet). Minimum hose diameter should be 3/8" I.D. Fittings should have the same inside dimensions and should be tightly secured.

Ensure an accessible emergency shut off valve has been installed in the air supply line and make others aware of its location.

LUBRICATION

Lubricate the air motor daily with NAPA air tool oil. If no air line oiler is used, run 1/2 oz. of oil through the tool. The oil can be squirted into the tool air inlet or into the hose at the nearest connection to the air supply, then run the tool. The oil plug is only for adding multi-purpose

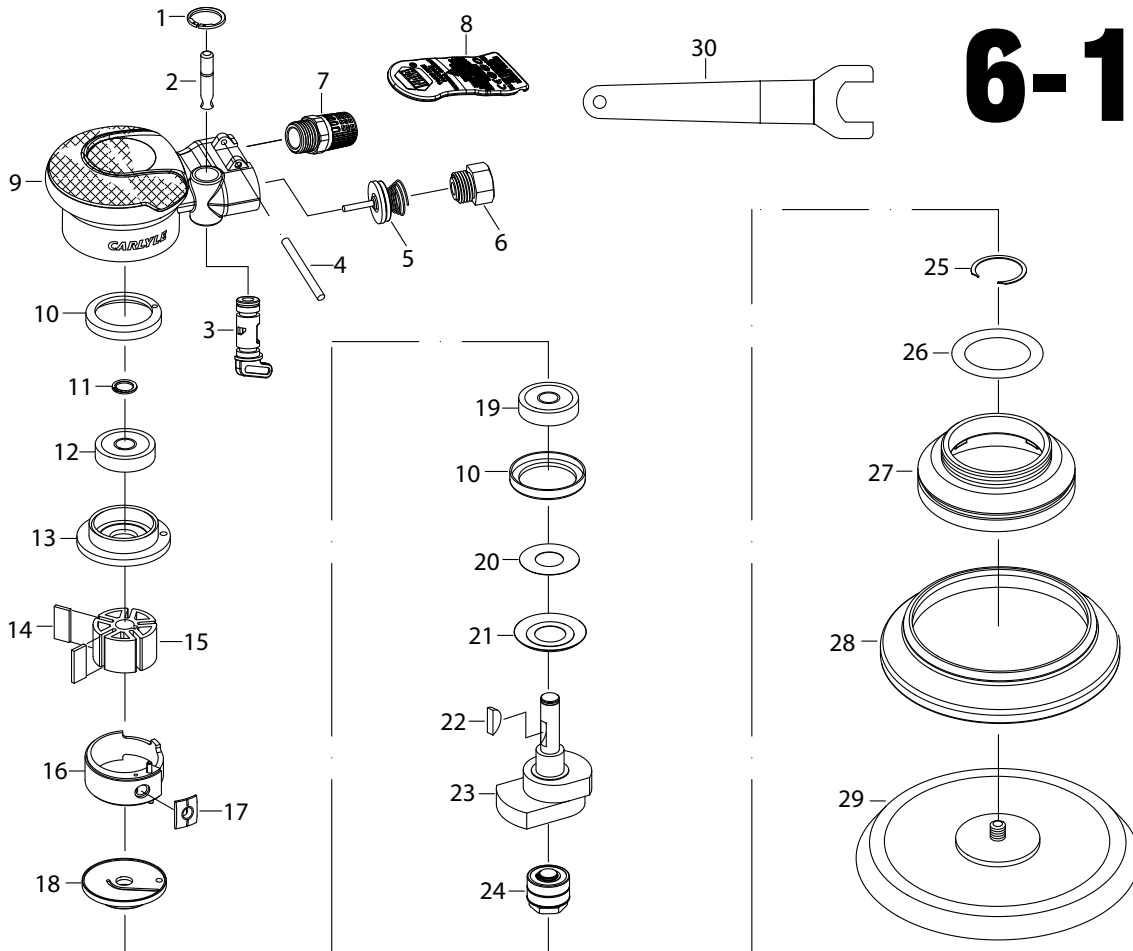
grease after repair or maintenance of the impact mechanism. Overfilling will cause a reduction in the power of the tool.

WARNING: After an air tool has been lubricated, oil will discharge through the

exhaust port during the first few seconds of operation. The exhaust port must be covered with a towel before applying air pressure to prevent serious injury.

PARTS BREAKDOWN

6-1151 & 6-1152



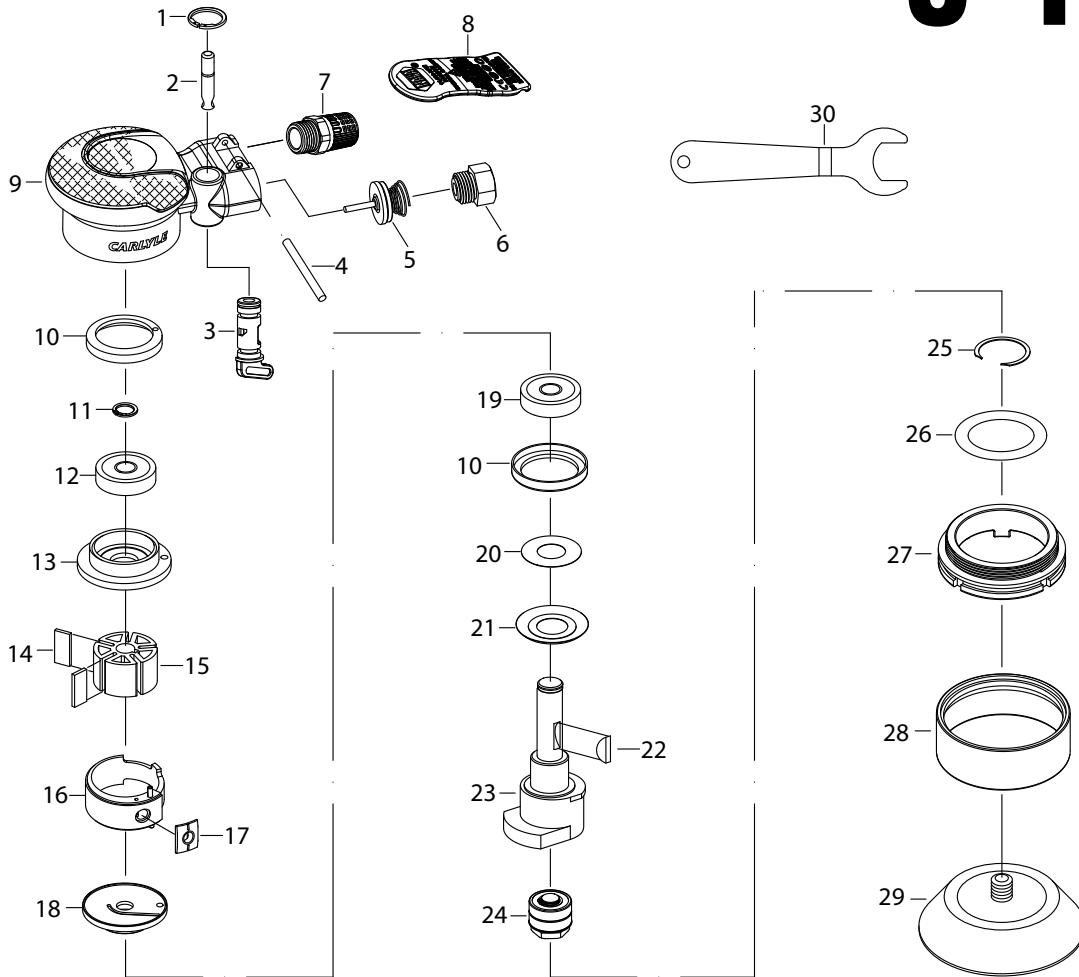
REF. NO.	OUR PART NO.	DESCRIPTION	QTY
1	RS288304	SNAP RING	1
2	RS115102	VALVE STEM SET	1
3	RS115103	REGULATOR SET	1
4	RS115104	PIN	1
5	RS115105	VALVE SET	1
6	RS246009	AIR INLET	1
7	RS115107	SLEEVE SET	1
8	RS115108	LEVER	1
9	RS115109	HOUSING	1
10	RS233216	RUBBER BUSHING	2
11	RS246016	SNAP RING	1
12	RS10920	BEARING (6000ZZ)	1
13	RS115113	REAR PLATE	1
14	RS246019	ROTOR BLADE	5
15	RS233221	ROTOR	1
16	RS115116	CYLINDER SET	1
17	RS233224	BUSHING	1
18	RS115118	FRONT PLATE	1

REF. NO.	OUR PART NO.	DESCRIPTION	QTY
19	RS115119	BEARING (6002ZZ)	1
20	RS316024A	WASHER	1
21	RS233229	WASHER	1
22	RS316026	ROTOR KEY	1
23	RS241631	MOTOR SHAFT BALANCER (3/16" Orbit for 6-1151)	1
	RS253201	MOTOR SHAFT BALANCER (3/32" Orbit for 6-1152)	1
24	RS115124	SHAFT SET	1
25	RS246032	SNAP RING	1
26	RS233238	WASHER	1
27	RS115127	HOUSING COVER	1
28	RS115128	SHROUD	1
29	RS115129	PAD	1
30	RS251619	STOP SPANNER	1
n/s	RS61151PWL	6-1151 WARNING LABEL	1
n/s	RS61152PWL	6-1152 WARNING LABEL	1

PLEASE REVIEW ALL WARNING INSTRUCTIONS PRIOR TO OPERATION. SAVE THIS MANUAL FOR FUTURE REFERENCE.

PARTS BREAKDOWN

6-1153



REF. NO.	PART NO.	DESCRIPTION	QTY
1	RS288304	SNAP RING	1
2	RS115102	VALVE STEM SET	1
3	RS115103	REGULATOR SET	1
4	RS115104	PIN	1
5	RS115105	VALVE SET	1
6	RS246009	AIR INLET	1
7	RS115107	SLEEVE SET	1
8	RS115108	LEVER	1
9	RS115109	HOUSING	1
10	RS233216	RUBBER BUSHING	2
11	RS246016	SNAP RING	1
12	RS10920	BEARING (6000ZZ)	1
13	RS115113	REAR PLATE	1
14	RS246019	ROTOR BLADE	5
15	RS233221	ROTOR	1
16	RS115316	CYLINDER SET	1

REF. NO.	PART NO.	DESCRIPTION	QTY
17	RS233224	BUSHING	1
18	RS115118	FRONT PLATE	1
19	RS115319	BEARING (6002ZZ)	1
20	RS316024A	WASHER	1
21	RS233229	WASHER	1
22	RS316026	ROTOR KEY	1
23	RS325029	MOTOR SHAFT BALANCER (3")	1
24	RS115324	SHAFT SET	1
25	RS115325	SNAP RING	1
26	RS233238	WASHER	1
27	RS115327	HOUSING COVER	1
28	RS233240	SHROUD	1
29	RS115329	PAD	1
30	RS233242	STOP SPANNER	1
N/S	RS61153PWL	WARNING LABEL	1

PLEASE REVIEW ALL WARNING INSTRUCTIONS PRIOR TO OPERATION. SAVE THIS MANUAL FOR FUTURE REFERENCE.

OPERATION

Select a suitable abrasive disc and make sure that it is fixed securely to the pad. Connect a suitable air supply as recommended in Figure 1. The air inlet on this tool has a standard 1/4" NPT thread. After mounting sandpaper, start this Sander under a bench in order to make sure sandpaper is firmly attached. Set the sander down on the work evenly and move it slowly back & forth in wide, overlapping areas. Additional pressure may be used to make more efficient use of the tool when material to be sanded is thick. Lighter pressure may be used in delicate sanding or when using edges of sanding pad. When finished sanding, lift it off the work before stopping the motor.

Take great care when sanding around sharp edges and surfaces to avoid disc snagging, i.e. the disc may be brought to an abrupt stop or considerably slowed which will cause the tool to kick in the operator's hands. It is always recommended to use safety gloves and safety glasses. The sanding of certain materials may create a hazardous dust which may require special breathing equipment. Check before using the tool. It is recommended to use proper breathing equipment while sanding. Even if the tool has a low noise level, the actual sanding process may cause a noise level such that ear protection should be used. It is recommended that ear protection be used while sanding.

Do not continue to use abrasive discs that are worn or clogged. This will make the sanding process inefficient and increases the need to apply unnecessarily high forces to the tool. Do not use oversized or undersized sanding discs. The disc should be no more than 1/4" larger in diameter than the pad and never be smaller than the pad size.

An air regulator is located on the side of the tool housing. It can be used to vary the volume of compressed air fed to the motor which will vary the speed of the sander.

NOTE: During operation, safety goggles should always be worn to guard against flying debris (users & bystanders)." (BOLD)

6-1151 - Specifications

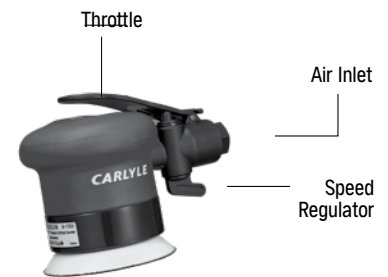
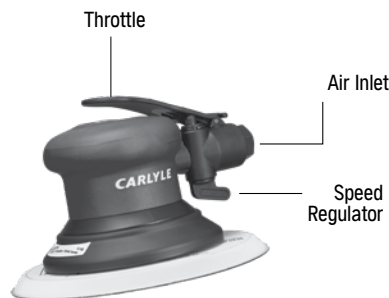
Horsepower 0.3HP
 Overall Length 7.33"
 Width 9"
 Weight 2.7 lbs.
 RPM 12,000
 Vacuum Type Non vacuum
 Sound Level 81.2 dBa
 Air Consumption 2.4 CFM
 Air Inlet Thread Size 1/4" NPT
 Recommended
 Hose Size 3/8" I.D.
 Recommended
 Air Pressure 90psi (6.2 bar)

6-1152 - Specifications

Horsepower 0.3HP
 Overall Length 7.3"
 Width 9"
 Weight 2.7 lbs.
 RPM 12,000
 Vacuum Type Non vacuum
 Sound Level 81.2 dBa
 Air Consumption 2.4 CFM
 Air Inlet Thread Size 1/4" NPT
 Recommended
 Hose Size 3/8" I.D.
 Recommended
 Air Pressure 90psi (6.2 bar)

6-1153 - Specifications

Horsepower 0.3HP
 Overall Length 9.6"
 Width 6.2"
 Weight 1.6 lbs.
 RPM 12,000
 Vacuum Type Non vacuum
 Sound Level 81.2 dBa
 Air Consumption 2.4 CFM
 Air Inlet Thread Size 1/4" NPT
 Recommended
 Hose Size 3/8" I.D.
 Recommended
 Air Pressure 90psi (6.2 bar)



WARRANTY

Important: DO NOT RETURN DEFECTIVE PRODUCT OUTSIDE OF ORIGINAL ONE (1) YEAR WARRANTY PERIOD TO PLACE OF PURCHASE.

WARRANTY POLICY: This Carlyle Air Tool is warranted against defects in material and workmanship for a period of One (1) Year from the date of original purchase. We will replace, at our option, any part which proves to be defective in material or workmanship. Repairs or replacements are warranted as described above for the duration of the original warranty period. In the unlikely event a replacement unit is required during this One (1) year period, return the unit to your local NAPA Auto Parts Store for a replacement. This warranty does not apply to products which have been subjected to abuse, misuse, modification, neglect, lack of maintenance, use in a production-related service, or repaired by anyone other than an Authorized Carlyle Air Tool Service Center. For complete listing of Authorized Master Repair Centers, see enclosed Customer Warranty Repair Form, or visit www.toolwarrantyrepair.com

TROUBLESHOOTING

IMPACT WRENCHES

TOOL DOES NOT RUN OR RUNS SLOWLY, AND/OR AIR FLOWS ONLY SLIGHTLY FROM EXHAUST — This condition is probably caused by insufficient air pressure, contaminants blocking the airflow or operation of motor parts, or a power regulator which has vibrated to a closed position.

YOU SHOULD: Check the air supply for sufficient pressure. Check the air inlet strainer for blockage. Pour a generous amount of air tool oil into air inlet. Operate tool in short bursts, in both forward and reverse directions. Repeat if necessary. If tool performance does not improve, the tool should be serviced by an authorized service center.

TOOL WILL NOT RUN, EXHAUST AIR FLOWS FREELY. This condition is probably caused by one or more rotor vanes stuck on accumulated sludge or varnish; motor rusted.

YOU SHOULD: Pour a generous amount of air tool oil into air inlet. Operate tool in short bursts in both forward and reverse directions. Lightly tap the motor housing with a plastic mallet. Detach the air supply. Try to free the motor by turning the drive shaft manually, if possible. If the tool remains jammed, it should be serviced by an authorized service center.

SOCKETS WILL NOT STAY ON. This condition is probably caused by a worn socket retainer ring or a soft backup o-ring

YOU SHOULD: Wear safety goggles. Detach the air supply. Using external retaining ring pliers, remove the old retaining ring. While holding the square drive with an appropriate wrench, use a small screwdriver to pry old retainer ring out of its groove. Always pry the ring away from your body, because it can be propelled outward at high velocity. Replace the backup o-ring and retainer ring with correct new parts (see breakdown). Place the retaining ring on a table and press the tool anvil into the ring with a rocking motion. Snap the ring into the groove by hand.

PREMATURE ANVIL WEAR. This is probably caused by using chromed sockets, which are not designed for use with impact tools, or worn sockets

YOU SHOULD: Stop using chrome sockets. Chrome sockets have a hard exterior surface and a soft core, which leads to a warped but very hard drive hole when used with impact tools. Chrome sockets will wear wrench anvils quickly and present a danger of splitting or breakage which can lead to injury or death.

TOOL SLOWLY LOSES POWER BUT RUNS AT FULL SPEED WHEN NOT UNDER LOAD. This condition is probably caused by worn clutch parts, inadequate lubrication, or worn engaging cam.

YOU SHOULD: FOR OIL LUBED WRENCHES: Check for presence of clutch oil (where oil is specified for the clutch) and remove oil fill plug. Tilt to drain all of the oil from the clutch case. Refill the case with NAPA air tool oil or that recommended by the manufacturer in the specified amount. Also check for excess clutch oil. Clutch cases only need to be filled 50%, and overfilling can cause drag on high speed clutch parts. A typical 1/2" Drive oil lubed wrench only requires 1/2 ounce of clutch oil. **FOR GREASE LUBED WRENCHES:** Check for excess grease by rotating drive shaft by hand. It should rotate freely, and excess grease is usually expelled automatically.

TOOL WILL NOT SHUT OFF. This condition is probably caused by a broken or misaligned throttle valve O-ring, or a bent or jammed throttle valve stem.

YOU SHOULD: Remove the throttle assembly and install a new o-ring. Lubricate the assembly with air tool oil and operate the trigger briskly. If operation cannot be restored, the tool should be serviced at an authorized service center.

AIR RATCHETS

MOTOR RUNS. SPINDLE DOESN'T TURN, OR TURNS ERRATICALLY — This condition is probably caused by worn teeth on the ratchet or pawl, a broken or weak pawl pressure spring, or weak drag springs which fail to hold the spindle while the pawl advances.

YOU SHOULD: Have replacement parts installed by an authorized service center.

TOOL DOESN'T RUN, RATCHET HEAD INDEXES CRISPLY BY HAND — This condition is probably caused by the accumulation of dirt or sludge in motor parts.

YOU SHOULD: Pour a generous amount of air tool oil into the air inlet. Operate the throttle in short bursts. With the tool engaged on a bolt, alternately tighten and loosen the bolt by hand. If the tool remains jammed, it should be serviced at an authorized service center

AIR DRILLS

TOOL WILL NOT RUN, RUNS SLOWLY, AIR FLOWS SLIGHTLY FROM EXHAUST, SPINDLE TURNS FREELY — This condition is probably caused by a blocked air passage or jammed motor parts.

YOU SHOULD: Check the air inlet for blockages. Pour a generous amount of air tool oil into air inlet. Operate the trigger in short bursts. Detach the air supply. Turn the empty and closed drill chuck by hand. Reconnect air supply. If the tool's performance does not improve, it should be serviced by an authorized service center.

TOOL WILL NOT RUN. AIR FLOWS FREELY FROM EXHAUST. SPINDLE TURNS FREELY. This condition is probably caused by a broken rotor vane or jammed or broken gears.

YOU SHOULD: Pour a generous amount of air tool oil into air inlet. Operate the trigger in short bursts. Detach the air supply. Turn the empty and closed drill chuck by hand. Reconnect air supply. If the tool's performance does not improve, it should be serviced by an authorized service center.

TOOL SEIZED. SPINDLE WILL NOT TURN — This condition is probably caused by a broken rotor vane or jammed or broken gears.

YOU SHOULD: Have the tool serviced by an authorized service center.

TOOL WILL NOT SHUT OFF — The throttle valve o-ring has probably come unseated.

YOU SHOULD: Replace the o-ring (see breakdown) or have tool serviced by an authorized service center.

AIR HAMMERS

TOOL WILL NOT RUN — This condition is probably caused by a clogged cycling valve or throttle valve.

YOU SHOULD: Check the air inlet for blockages. Pour a generous amount of air tool oil into air inlet. Operate the trigger in short bursts with the chisel in place and against a solid surface. Detach the air supply. Tap the nose or barrel lightly with a plastic mallet, reconnect the air supply, and repeat above steps. If the tool is still seized, insert a 6" piece of 1/8" diameter rod in the nozzle and

lightly tap to loosen the piston in the rear direction. Reconnect air supply and repeat above steps.

CHISEL STUCK IN NOZZLE — This condition is probably caused by a deformed shank.

YOU SHOULD: Have tool serviced by an authorized service center.

NOTE: DISASSEMBLY OF THIS TOOL BY ANY OTHER THAN AN AUTHORIZED SERVICE CENTER WILL VOID THE WARRANTY ON THIS TOOL.

SANDERS/GRINDERS

TOOL HAS NO POWER OR RUNS SLOWLY. This condition is probably caused by insufficient air pressure, contaminants blocking the air flow, or speed regulator that has vibrated to a closed or off position.

YOU SHOULD: Check the air supply at the compressor and air lines to the tool for sufficient air pressure. Check the air inlet strainer for blockage and make sure speed regulator is in the open or on position. If power is not restored the tool should be serviced by an authorized service center.

TOOL SEIZED. PAD/SPINDLE WILL NOT TURN. This condition is probably caused by a broken rotor vane, jammed or broken gears, or seized bearing.

YOU SHOULD: Have the tool repaired by an authorized service center.

TOOL WILL NOT SHUT OFF/RUNS CONTINUOUSLY. The throttle valve seat has become loose or damaged.

YOU SHOULD: Replace o-ring or valve seat (see breakdown for proper parts) or have tool serviced by an authorized service center.

SANDS/GRINDS UNEVENLY. This condition is usually caused by loose pad/disc connection or worn or damaged pad/disc.

YOU SHOULD: Check pad/disc connection, ensure that connection is secure and tight. Replace worn or damaged pad/disc.

! ADVERTENCIA

AL NO SEGUIR TODAS INSTRUCCIONES DE LA LISTA ABAJO PUEDE PROVOCAR LESIONES GRAVES

ESTE MANUAL DE INSTRUCCIONES CONTIENE INFORMACIÓN IMPORTANTE DE SEGURIDAD. LEA CUIDADOSAMENTE ESTE MANUAL INSTRUCTIVO Y COMPRENDA TODA INFORMACIÓN ANTES DE OPERAR ESTA HERRAMIENTA.



- Lea y comprenda todas las instrucciones. Hacer caso omiso al seguir todas las instrucciones alistadas a continuación podría ocasionar el choque eléctrico, incendio, explosiones y/o lesiones personales serias. Es la responsabilidad del propietario asegurarse que todo el personal lea este manual previo al uso de esta herramienta. También es la responsabilidad del propietario de herramienta mantener intacto este manual y en un lugar conveniente para que todos lo lean y vean. Si el manual o las etiquetas se hayan perdido o no sean legibles, comuníquese con NAPA por algunos repuestos. Si el operador no domina el idioma inglés, las instrucciones del producto y de seguridad le serán leídas y discutidas con el operador en el idioma materno del operador por parte del comprador/propietario o su designado, asegurándose que el operador comprenda el contenido.

- Opere, inspeccione y mantenga siempre esta herramienta de acuerdo con el Código de Seguridad del Instituto Americano de Estándares Nacionales para las Herramientas Portátiles Neumáticas (ANSI B186.1) y cualquier otro código o regulación aplicables.

- Por seguridad, desempeño superior y durabilidad máxima de las refacciones, opere esta herramienta a la máxima presión de aire al 90 psig; 6.2 barg. con una manguera de alimentación de aire de 3/8" en diámetro.

- Al operar o al realizar el mantenimiento de esta herramienta, lleve siempre la protección de ojos resistentes al impacto (usuarios y espectadores).

- Siempre lleve puesto seguridad respirador (usuarios y espectadores).

- Con el fin de reducir la exposición a los escombros de lijado, trabaje en un área bien ventilada con el equipo de protección personal adecuado.

- Niveles de sonidos altos pueden provocar una pérdida permanente del oído. Utilice una protección para las orejas según las recomendaciones de su patrón las regulaciones OSHA (usuarios y espectadores).

- Mantenga esta herramienta en condición eficiente de operación.

- Los operadores y personal de mantenimiento deben poder físicamente manejar el volumen, peso y potencia de esta herramienta.

- El aire bajo presión puede ocasionar alguna herida severa. Nunca dirija el aire hacia usted ni a otros. Apague siempre la alimentación de aire, vacíe la manguera de toda presión de aire y separe la herramienta de la alimentación de aire antes de instalar, quitar o ajustar cualquier accesorio de esta herramienta, o antes de realizar cualquier mantenimiento de esta herramienta. La falla en hacerlo podría resultar en alguna lesión. Las mangueras de látigo pueden ocasionar alguna herida seria. Revise siempre las mangueras y herrajes por daños, deshilachas o solturas, y repóngalos inmediatamente. No use en la herramienta los acoplamientos de rápida separación. Vea las instrucciones por la instalación correcta.

- Mantenga lejos del alcance de los niños.

- Las herramientas neumáticas pueden vibrar con su uso. Las vibraciones, movimientos repetitivos o posiciones incómodas durante períodos extendidos de tiempo pueden ser dañinos para sus manos y brazos. Suspenda el uso de la herramienta si experimente molestias, estremecimiento o dolor. Antes de continuar usándola, solicite el consejo médico.

- Resbalarse, tropezarse y/o caerse durante la operación de herramientas neumáticas puede ser una causa mayor de lesión seria o la muerte. Sea consciente de la manguera

excedente, dejada por la superficie para caminar o trabajar.

- Mantenga balanceada y firme la postura corporal de trabajo. No se extra limite al operar esta herramienta.

- Coloque la herramienta sobre la superficie de trabajo antes de hacerla funcionar. No apunte con ni se enrede en juegos bruscos con esta herramienta.

- Note el sentido de la rotación ANTES de operar esta herramienta.

- Anticipe y sea alerta por cambios repentinos de movimiento durante el arranque inicial y operación de cualquier herramienta neumática.

- No lleve la herramienta por la manguera. Proteja la manguera de objetos afilados y del calor.

- El eje de la herramienta puede seguir rotando brevemente después de que se libere la válvula reguladora. Evite el contacto directo con los accesorios durante y después del uso. Los guantes reducirán el riesgo de alguna cortada o quemadura.

- Manténgase lejos del extremo rotador de la herramienta. No lleve puesto ni joyería ni ropa suelta. Fije el pelo largo. Se puede arrancar el cabello si no se lo mantenga a distancia de la herramienta y accesorios. Mantenga a distancia de la herramienta y de los accesorios del cuello para evitar el ahogamiento.

- NO use (ni altere) la herramienta para ningún otro uso excepto el para el cual fue diseñado, sin consultar primero a algún representante autorizado del fabricante.

- Al lijar contra esquinas puntiagudas se podría dañar la almohadilla, dejándola inútil

- **No bloquee, ni use cinta ni alambre para sujetar la palanca de seguridad "on/off" (encendido/apagado) en la posición de "on" (encendido), dado que la palanca deberá estar libre de volverse a la posición de "off" ("apagada") al liberarse.**

- Use sólo una almohadilla para lijar y papel de lija con esta herramienta.

- No use ninguna rueda de esmeril, fresa ni accesorio de extracción de metal con esta herramienta.

- **LAS RPM DEL ACCESORIO DEBERÁN EXCEDER LAS RPM DE LA HERRAMIENTA.**

- Use los accesorios recomendados por NAPA.

- No lubrique las herramientas con soluciones inflamables ni volátiles, tales como el queroseno, el gasóleo ni el combustible para aviones.

- Esta herramienta no está aislada contra el choque eléctrico.

- Esta herramienta nodebe emplearse en ambientes explosivos.

- Las reparaciones y mantenimiento deben realizarse sólo por parte de un centro de servicio autorizado.

- No fuerce las herramientas más allá de su capacidad nominal.

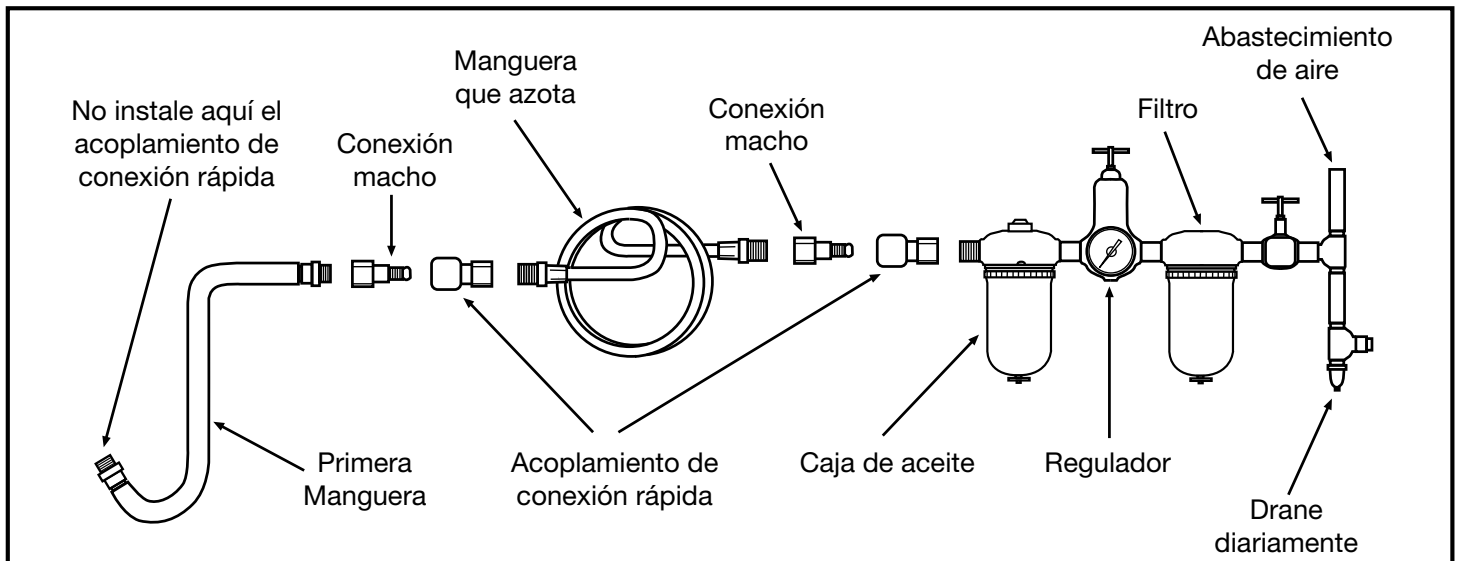
- No quite ninguna etiqueta. Reponga las etiquetas dañadas.

- No cumplir con estas indicaciones puede provocar lesiones graves o peligro de muerte, así como daños materiales.

ADVERTENCIA Este producto le podrá exponer a ciertos químicos, para incluir el níquel, conocidos en el Estado de California por ocasionar cáncer y defectos congénitos u otros daños a la reproducción. Para mayores informes, visite: www.P65Warnings.ca.gov



SUMINISTRO DE AIRE



Las herramientas que se encuentran en esta clase funcionan con una variedad grande de presiones del aire. Recomendamos que la presión del aire para estas herramientas sea de 90 PSI en la herramienta; funcionando a una presión más alta (más de 90 PSI; 6.2 bar) levanta los resultados más allá de su índice de capacidad; al hacerlo reducirá la vida de la herramienta, producirá el uso prematuro y podrá provocar lesiones. Puede ver en la ilustración arriba, el procedimiento recomendado de instalación.

Siempre use aire limpio y seco. El polvo, los vapores corrosivos y/o el agua en la tubería de aire dañarán la herramienta. Vacíe el tanque de aire diariamente. Limpie la rejilla del filtro de la admisión de aire al menos una vez por semana de manera constante.

La admisión de aire que se ocupa para la conexión del suministro de aire cuenta con una rosca americana estándar de 1/4" NPT. Se debe aumentar la presión en la línea para compensar por las mangueras de aire incomun-

mente largas (mayores de 25 pies). El diámetro mínimo de la manguera debe de ser de 3/8" de diámetro interior. Los herrajes deben contar con las mismas dimensiones y deben estar fijamente sujetos.

Asegúrese que se haya instalado una válvula accesible de apagado por emergencia en la línea de suministro de aire e informe a otros de su ubicación.

LUBRIFICACIÓN

Lubrique diariamente el motor neumático con aceite NAPA para herramientas neumáticas. Si no se usa aceite de aerolínea, deje correr una 1/2 oz. de aceite por la herramienta. Se puede lanzar un chorro de aceite por la ventila de admisión de aire de la herramienta, o por la manguera en la

conexión más cercana al abastecimiento de aire, luego ponga en marcha la herramienta. El sobrellenado reducirá la potencia de la herramienta.

ADVERTENCIA: Después de que se haya lubricado una herramienta neumática, el aceite se descargará por el puerto de escape durante los

primeros segundos de la operación. El puerto de escape deberá cubrirse con una toalla antes de aplicar una presión de aire con el fin de prevenir lesiones serias.

FUNCIONAMIENTO

Seleccione algún disco abrasivo apto y asegúrese que esté seguramente fijado a la almohadilla. Conecte un suministro de aire apto, según sea recomendado en la figura 1. La entrada de aire en esta herramienta cuenta con una rosca NPT de 1/4".

Después de montar el papel de lija, encienda esta lijadora debajo de un banco, con el fin de asegurarse que el papel de lija esté firmemente sujetado. Coloque la lijadora uniformemente sobre el trabajo y muévala lentamente hacia adelante y hacia atrás en áreas anchas

superpuestas. Cuando el material a lijarse sea grueso, se podría ejercer una fuerza adicional con el fin de lograr el uso más eficiente de la herramienta. La presión más ligera podría emplearse con el trabajo de lijado delicado, o al momento de usar los bordes del papel

FUNCIONAMIENTO

de lija. Cuando se haya terminado de lijar, y antes de parar el motor, levante la lijadora del trabajo.

Tome grandes precauciones al realizar el trabajo de lijado cerca de bordes y superficies extra filosas, con el fin de evitar enganches del disco, p.e. el disco podría pararse abruptamente y/o desacelerarse considerablemente, lo cual ocasionaría que la herramienta diera un culatazo en las manos del operador. Siempre es recomendable usar guantes y lentes de seguridad.

El lijado de ciertos materiales podría crear un polvo peligroso, el cual podría requerir el uso de un equipo de respiración especial. Revísela antes de usar la herramienta. Se recomienda usar el equipo de respiración adecuado durante el trabajo de lijado. Si la herramienta aun cuenta con un nivel de ruido bajo, el proceso de lijado real podría ocasionar un nivel de ruido tan alto que sea requerida la protección de oídos. Se recomienda el uso de alguna protección de oídos durante el trabajo de lijado.

Deje de usar discos abrasivos que sean desgastados o tapados. El uso de discos desgastados o tapados volverá ineficiente el proceso de lijado, y se aumentará la necesidad de aplicar una fuerza excesiva innecesaria a la herramienta. No use discos de lijado demasiado grandes ni demasiado pequeños. El disco no deberá exceder el diámetro de la almohadilla por más de un 1/4" y nunca deberá ser más pequeño que el tamaño de la almohadilla.

Un regulador de aire se encuentra en el lateral de la carcasa de la herramienta. Este se podría usar para variar el volumen

de aire comprimido alimentado al motor, lo cual hará variar la velocidad de la lijadora.

Durante la operación, los goggles de seguridad deberán llevarse puesto para guardar contra los desechos voladores (usuarios y espectadores).

6-1151 - Especificaciones

Horsepower	0.3HP
Longitud	7.3"
Ancho	9"
Peso	2.7 lbs.
RPM	12,000
Tipo de vacío	NO vacío
Nivel del sonido	81.2 dBa
Consumo de aire	2.4 CFM
Tamaño de la rosca de entrada de aire	1/4" NPT
Tamaño de manguera recomendado	3/8" I.D.
Presión de aire recomendada	90psi (6.2 bar)

6-1152 - Especificaciones

Caballos de potencia	0.3HP
Longitud	7.3"
Ancho	9"
Peso	2.7 lbs.
RPM	12,000
Tipo de vacío	NO vacío
Nivel del sonido	81.2 dBa
Consumo de aire	2.4 CFM
Tamaño de la rosca de entrada de aire	1/4" NPT
Tamaño de manguera recomendado	3/8" I.D.
Presión de aire recomendada	90psi (6.2 bar)

6-1153 - Especificaciones

Caballos de potencia	0.3HP
Longitud	9.6"
Ancho	6.2"
Peso	1.6 lbs.
RPM	12,000
Tipo de vacío	NO vacío
Nivel del sonido	81.2 dBa
Consumo de aire	2.4 CFM
Tamaño de la rosca de entrada de aire	1/4" NPT
Tamaño de manguera recomendado	3/8" I.D.
Presión de aire recomendada	90psi (6.2 bar)



GARANTÍA

Importante: NO DEVUELVA UN PRODUCTO DEFECTUOSO AL LUGAR DE COMPRA FUERA DEL PERIODO ORIGINAL DE GARANTÍA DE UN (1) AÑO.

POLÍTICA DE GARANTÍA: Esta herramienta neumática de Carlyle Air Tool tiene garantía contra defectos de materiales y fabricación por un periodo de un (1) año a partir de la fecha de compra original. Repondremos, a nuestra opción, cualquier parte, la cual demuestra ser defectuosa en cuanto al material o mano de obra. Reparaciones y repuestos son garantizados, según sea descrito anteriormente, por la duración del periodo de garantía original. En el evento poco probable que se requiera una unidad de repuesto durante dicho periodo de UN (1) año, devuelva la unidad a su tienda de autopartes local de NAPA por un repuesto. Esta garantía no se aplica si los productos fueron sometidos al abuso, a la negligencia, a un uso indebido, fueron modificados, carecieron de mantenimiento, fueron usados en servicios relacionados a la producción o reparados por una persona no autorizada por el Centro de servicio de Carlyle Air Tool. Para una lista completa de centros maestros de reparación autorizada, consulte el formulario del cliente de reparación de garantía, o visite www.toolwarrantyrepair.com.

PROBLEMAS Y SOLUCIONES

LLAVES DE IMPACTO

LA HERRAMIENTA NO FUNCIONA O CORRE LENTEMENTE Y/O EL AIRE FLUYE SÓLO LIGERAMENTE DEL ESCAPE —

Probablemente se haya ocasionado esta condición por insuficiente presión de aire, algunos contaminantes bloqueando el flujo de aire o la operación de las piezas del motor, o por un regulador de potencia el cual haya vibrado hasta una posición cerrada.

USTED DEBE: revisar el suministro de aire por presión suficiente. Revise la rejilla de la admisión de aire por cualquier bloqueo. Eche una cantidad generosa de aceite para herramientas neumáticas en la entrada de admisión de aire. Opere la herramienta in arranques cortos, en ambas direcciones hacia adelante y en reversa. Si es necesario, repita los pasos. Si no se nota ninguna mejora en cuanto al rendimiento de la herramienta, entonces ésta debe recibir mantenimiento por parte de un centro de servicio autorizado.

LA HERRAMIENTA NO FUNCIONA, EL ESCAPE FLUYE LIBREMENTE.

Probablemente se ha ocasionado esta condición probablemente porque se haya atascado en lodo o barniz acumulado una ó más de las aletas del motor; o por la corrosión del motor.

USTED DEBE: echar una cantidad generosa de aceite para herramientas neumáticas en la admisión de aire. Opere la herramienta en arranques cortos en ambos sentidos, hacia adelante y hacia atrás. Pegue ligeramente la carcasa del motor con un martillo de plástico. Desconecte el suministro de aire. Intente librar el motor al girar el eje motor manualmente, si es posible. Si la herramienta permanece atascada, ésta debe recibir mantenimiento por parte de un centro de servicio autorizado.

LOS CASQUILLOS NO SE QUEDARÁN SUJETADOS EN LUGAR.

Probablemente se ha ocasionado esta condición por un anillo sujetador desgastado del casquillo o por un anillo de reserva blando. Usted debe: llevar gafas de seguridad. Desconecte el suministro de aire. Usando las pinzas del anillo sujetador externo, quite el anillo sujetador viejo. Al sostener la

manivela cuadrada con una llave adecuada, use un destornillador pequeño para quitar el anillo sujetador viejo de su ranura. Siempre haga palanca con el anillo lejos de su cuerpo, ya que éste puede ser proyectado hacia al exterior a una alta velocidad. Reponga el anillo de reserva y el anillo sujetador con las partes nuevas adecuadas. (Ver desglose). Coloque el anillo sujetador en la mesa y presione al yunque de la herramienta en el anillo con un movimiento mecedor. Con la mano, cierre el anillo con un golpe en la ranura.

DESGASTE PREMATURO DEL YUNQUE.

Probablemente fue ocasionado por el uso de casquillos al cromo desgastados, los cuales no fueron diseñados para usarse con las herramientas de impacto, o por unos casquillos desgastados.

USTED DEBE: dejar de usar los casquillos al cromo. Los casquillos al cromo tienen una superficie exterior dura y un centro blando, el cual se conlleva a un agujero de propulsión abarquillado pero muy duro, al usarse con las herramientas de impacto. Los casquillos al cromo rápidamente desgastarán a los yunques de llave y presentan un peligro de rajadura o rotura los cuales pueden conllevarse a las lesiones o a la muerte.

LA HERRAMIENTA PIERDE POTENCIA POCO A POCO SIN EMBARGO CORRE A TODA VELOCIDAD CUANDO NO CUENTA CON UNA CARGA.

Probablemente se ha ocasionado esta condición por partes desgastadas del embrague, lubricación inadecuada o un disco de levas desgastado.

USTED DEBE: PARA LAS LLAVES LUBRICADAS CON BASE DE ACEITE:

Revisar por la presencia de aceite de embrague (donde se especifica aceite para embrague) y quitar el tapón de relleno de aceite. Inclínela para vaciar todo el aceite de la carcasa del embrague. Rellene la carcasa con aceite NAPA para herramientas neumáticas o con el aceite recomendado por el fabricante y en la cantidad especificada. También revise por aceite del embrague en exceso. Se tienen que llenar las carcasas del embrague hasta un 50% y el sobre-relleno puede causar una frotación en las partes de alta velocidad del embrague. Una llave 1/2" típica lubricada con aceite requiere sólo una 1/2 onza de

aceite para embragues. **PARA LLAVES LUBRICADAS CON GRASA:** Revisar por grasa excesiva al girar el eje motor con la mano. Este debe girar libremente y la grasa excesiva normalmente se expulsa automáticamente.

LA HERRAMIENTA NO SE APAGARÁ. Esta condición probablemente se ha ocasionado por un anillo O roto o mal alineado de la válvula de admisión de combustible, o por un huso de la válvula de admisión de combustible torcido o atascado.

USTED DEBE: quitar el ensamblaje de la válvula estranguladora e instalar un nuevo anillo- O. Lubrique el ensamblaje con aceite para herramientas neumáticas y opere el gatillo rápidamente. Si no se puede restaurar la operación, entonces ésta debe recibir mantenimiento por parte de un centro de servicio autorizado.

TRINQUETES NEUMÁTICAS

EL MOTOR CORRE. EL HUSO NO GIRA, O GIRA ERRÁTICAMENTE —

Probablemente se ha ocasionado esta condición por unos dientes desgastados del trinquete o uña, un resorte de presión de la uña débil, o resortes de arrastre débiles los cuales dejan de mantener al huso mientras se avanza la uña.

USTED DEBE: hacer que las partes de reposición se instalen por un centro de servicio autorizado.

LA HERRAMIENTA NO OPERA, LA CABEZA DEL TRINQUETE SE PEGA FIRMEAMENTE CON LA MANO— Probablemente se ha ocasionado esta condición por la acumulación de tierra o lodo en las piezas del motor.

USTED DEBE: echar una cantidad generosa de aceite para herramientas neumáticas en la admisión de entrada de aire. Opere la válvula estranguladora en arranques cortos. Con la herramienta pegado en un tornillo, apriete alternamente y afloje el tornillo con la mano. Si la herramienta sigue atascada, ésta debe recibir mantenimiento por parte de un centro de servicio autorizado.

PERFORADORAS NEUMÁTICAS

LA HERRAMIENTA NO FUNCIONA, CORRE LENTAMENTE, EL AIRE FLUYE LIGERAMENTE DEL ESCAPE, EL HUSO GIRA LIBREMENTE — Esta condición probablemente se haya causado por un pasaje de aire bloqueado o piezas atascadas del motor.

USTED DEBE: revisar la entrada de admisión de aire por cualquier bloqueo. Eche una cantidad generosa de aceite para herramientas neumáticas en la entrada de admisión de aire. Opere el gatillo en arranques cortos. Desconecte el suministro de aire. Con la mano, voltee la porta-brocas vacía y cerrada. Reconecte el suministro de aire. Si no hay una mejora en el rendimiento de la herramienta, ésta debe recibir mantenimiento por parte de un centro autorizado de servicio.

LA HERRAMIENTA NO FUNCIONA. EL AIRE FLUYE LIBREMENTE DEL ESCAPE. EL HUSO GIRA LIBREMENTE. Probablemente se haya ocasionado esta condición por una aleta rota del motor o por un engranaje atascado o roto.

USTED DEBE: echar una cantidad generosa de aceite para herramientas neumáticas en la entrada de admisión de aire. Opere el gatillo en arranques cortos. Desconecte el suministro de aire. Con la mano, voltee la porta-brocas vacía y cerrada. Reconecte el suministro de aire. Si no hay una mejora en el rendimiento de la herramienta, ésta debe recibir mantenimiento por parte de un centro autorizado de servicio.

DETENIMIENTO DE LA HERRAMIENTA. EL HUSO NO GIRARÁ — Probablemente se haya ocasionado esta condición por una aleta rota del motor o por un engranaje atascado o roto.

USTED DEBE: llevar la herramienta a un centro autorizado de servicio para que se le haga el mantenimiento.

LA HERRAMIENTA NO SE APAGARÁ — El anillo-O de la válvula de admisión de combustible probablemente se haya desenchajada.

USTED DEBE: reemplazar el anillo- O (ver desglose) o llevar la herramienta a un centro autorizado de servicio para que se lleve a cabo el mantenimiento de ella.

MARTILLOS PNEUMÁTICOS

LA HERRAMIENTA NO SE ENCENDERÁ. — Esta condición probablemente se haya ocasionado por una válvula circulante obstruida o una válvula estranguladora.

USTED DEBE: revisar la ventila de admisión de aire por cualquier bloqueo. Eche una cantidad generosa de aceite para herramientas neumáticas en la entrada de admisión de aire. Opere el gatillo en arranques cortos con el cincel en su lugar y contra una superficie sólida. Desconecte el suministro de aire. Pegue ligeramente la nariz o el cilindro con un martillo de plástico, reconecte el suministro de aire y repita los pasos anteriores. Si la herramienta sigue detenida, inserte un palo de 6" de largo y de 1/8" en diámetro en la boquilla y pégalo ligeramente para soltar el pistón en el sentido trasero. Reconecte el suministro de aire y repita los pasos anteriores.

CINCEL ENCASQUILLADO EN LA BOQUILLA— Probablemente se haya ocasionado esta condición por un espiga deformada.

USTED DEBE: llevar la herramienta a un centro autorizado de servicio para que se le haga el mantenimiento.

NOTA: EL DESENSAMBLAJE DE ESTA HERRAMIENTA POR CUALQUIER CENTRO NO AUTORIZADO ANULARÁ LA GARANTÍA DE ESTA HERRAMIENTA.

LIJADORAS/AMOLADORAS

LA HERRAMIENTA NO TIENE POTENCIA O CORRE LENTAMENTE— Esta condición se ocasiona probablemente por una presión de aire insuficiente, contaminantes bloqueando el flujo de aire, o un regulador de velocidad el cual haya vibrado hasta llegar a una posición cerrada o apagada.

USTED DEBE: Revisar el suministro de aire en el compresor y las líneas de aire a la herramienta por una presión de aire suficiente. Revise el filtro de la entrada de aire por bloqueos y asegurar que el regulador de velocidad esté en su posición de prendida o abierta. Si no se recupera la potencia a la herramienta, la herramienta deberá recibir mantenimiento por parte de un centro de servicio autorizado.

HERRAMIENTA CONGELADA. ALMOHADILLA/EJE NO GIRARÁ— Esta condición se ocasiona probablemente por un

álabe de rotor roto, engranajes atorados o rotos o un cojinete congelado.

USTED DEBE: asegurar que se repare la herramienta por parte de un centro de servicio autorizado.

LA HERRAMIENTA NO SE APAGARÁ/CORRE CONTINUAMENTE— La silla de la válvula estranguladora se ha aflojado o se ha dañado

USTED DEBE: Reponer el anillo en O u la silla de la válvula (ver el desglose de partes adecuadas) o hacer que la herramienta reciba servicio por parte de un centro de servicio autorizado.

SE LIJA / SE AMUELA DESUNIFORMEMENTE— Esta condición se ocasiona normalmente por una conexión de almohadilla/disco floja o una almohadilla/disco desgastado o dañado.

USTED DEBE: Revisar la conexión de la almohadilla/disco, asegurar que la conexión esté segura y apretada. Reponga almohadillas/discos

! AVERTISSEMENT

LE MANQUE D'OBSERVER CES AVERTISSEMENTS POURRAIT RESULTER DANS INJURY

CE GUIDE D'UTILISATION RENFERME D'IMPORTANTES CONSIGNES DE SÉCURITÉ.

LISEZ CE GUIDE D'UTILISATION ATTENTIVEMENT ET ASSUREZ-VOUS D'AVOIR BIEN COMPRIS TOUTES LES DIRECTIVES AVANT D'UTILISER CET OUTIL.



• Veuillez lire et bien comprendre toutes les instructions. Tout manquement aux instructions indiquées ci-après pourrait entraîner un choc électrique, un incendie, une explosion et/ou des blessures personnelles graves. Il est de la responsabilité du propriétaire de s'assurer que tout le personnel lise ce manuel avant d'utiliser l'outil. Il revient aussi au propriétaire de l'outil de conserver ce manuel en bon état et dans un endroit accessible permettant au manuel d'être vu et lu par tous. Si le manuel ou les étiquettes du produit sont perdus ou illisibles, contactez Matco Tools pour les faire remplacer. Si l'utilisateur-opérateur de l'outil ne maîtrise pas bien l'anglais, les instructions relatives au produit et aux mesures de sécurité devront être lues et discutées avec l'opérateur dans sa langue maternelle par l'acheteur-propriétaire ou toute personne habilitée par lui à le faire, en s'assurant que l'opérateur en comprend bien le contenu.

• Veuillez toujours utiliser, inspecter et entretenir cet outil conformément au code de sécurité ANSI sur les outils pneumatiques portatifs (ANSI B186.1) et à tout autre loi ou règlement relatif à la sécurité.

• Pour assurer un fonctionnement sécuritaire, un rendement optimal et la durabilité des pièces, utilisez une pression d'air maximale de 90 lb/po², 6,2 bar et un boyau d'un diamètre de 3/8 po.

• Portez toujours des lunettes et un appareil respiratoire (utilisateurs et spectateurs).

• Pour réduire l'exposition aux débris de ponçage, travaillez dans une zone bien aérée avec des équipements de protection individuelle appropriés.

• Les niveaux sonores élevés peuvent provoquer une perte auditive permanente. Portez toujours l'équipement de protection auditive recommandé par votre employeur et les règlements de l'OSHA quand vous utilisez cet outil (utilisateur et personnes à proximité).

• Conservez cet outil en bon état de marche.

• Les personnes qui utilisent ou entretiennent cet outil être capables de le manipuler compte tenu de sa grosseur, de son poids et de sa puissance.

• El aire bajo presión puede ocasionar alguna herida severa. Nunca dirija el aire hacia usted ni a otros. Apague siempre la alimentación de aire, vacíe la manguera de toda presión de aire y separe la herramienta de la alimentación de aire antes de instalar, quitar o ajustar cualquier accesorio de esta herramienta, o antes de realizar cualquier mantenimiento de esta herramienta. La falla en hacerlo podría resultar en alguna lesión. Las mangueras de látigo pueden ocasionar alguna herida seria. Revise siempre las mangueras y herrajes por daños, deshilachas o solturas, y repóngalos inmediatamente. No use en la herramienta los acoplamientos de rápida separación. Vea las instrucciones por la instalación correcta.

• Garder l'outil hors de la portée des enfants.

• Les outils pneumatiques peuvent vibrer pendant l'utilisation. Les vibrations, mouvements répétitifs ou positions inconfortables pendant des périodes étendues de temps peuvent être dommageables pour vos mains et vos bras. Suspendez l'usage de la herramienta si vous expérimentez des gênes, des tremblements ou de la douleur. Avant de continuer à l'utiliser, demandez conseil à votre médecin.

• Une glissade, un trébuchage et/ou une chute lors de l'utilisation d'outils pneumatiques peut causer de sérieuses blessures ou la mort. Prenez garde aux boyaux qui traînent par terre dans l'aire de travail.

• Votre posture doit être stable. Évitez de travailler à bout de bras.

• Placer l'outil sur la pièce à travailler avant de le mettre en marche. Ne pas pointer l'outil vers une personne ni l'utiliser à mauvais escient.

• Vérifier le sens de rotation AVANT d'utiliser cet outil.

• Calculez vos mouvements et prenez garde aux changements brusques de position quand vous utilisez un outil électrique.

• Ne tenez pas l'outil par le boyau d'alimentation. Protégez le boyau des objets tranchants et de la chaleur.

• L'arbre de l'outil peut continuer de tourner brièvement une fois la gâchette relâchée. Évitez tout contact direct avec les accessoires pendant ou après l'utilisation. Le port de gants réduit les risques de coupures ou de brûlures.

• Rester à l'écart de l'extrémité de l'outil. Ne portez pas de bijoux ni de vêtements amples. Les cheveux longs doivent demeurer hors de portée de l'outil et de ses accessoires pour éviter tout scalp accidentel. Tenez les cravates et les colliers hors de portée de l'outil, car ils présentent un risque de suffocation.

• Al lijara contra esquinas puntiagudas se podría dañar la almohadilla, dejándola inútil

• **Le levier de sécurité « on/off » ne doit pas être verrouillé, ni bloqué avec du ruban adhésif ou du fil électrique dans la position « on », de façon à le laisser revenir à la position « off » lorsqu'il est relâché.**

• Ne pas utiliser (ou modifier) l'outil à d'autres fins que celles pour lesquelles elle a été conçue sans consulter le représentant autorisé du fabricant.

• Utilisez uniquement un patin de polissage et du papier sablé avec cet outil.

• N'utilisez pas de fraises-meules ou de fraises, ni tout autre accessoire servant à enlever le métal.

• **LES RPM DE L'ACCESSOIRE DOIVENT ÊTRE SUPÉRIEURS À CEUX DE L'OUTIL.**

• Utilisez les accessoires recommandés par NAPA.

• Ne pas lubrifier les outils avec des liquides inflammables ou volatils comme le kérosène, le diesel ou le carburant d'avion.

• Cet outil n'est pas isolé du point de vue des chocs électriques.

• Ne pas utiliser cet outil dans une atmosphère explosive.

• L'entretien et les réparations ne devraient être effectués que dans un centre de service autorisé.

• Évitez de forcer l'outil en l'utilisant au-delà de sa puissance nominale.

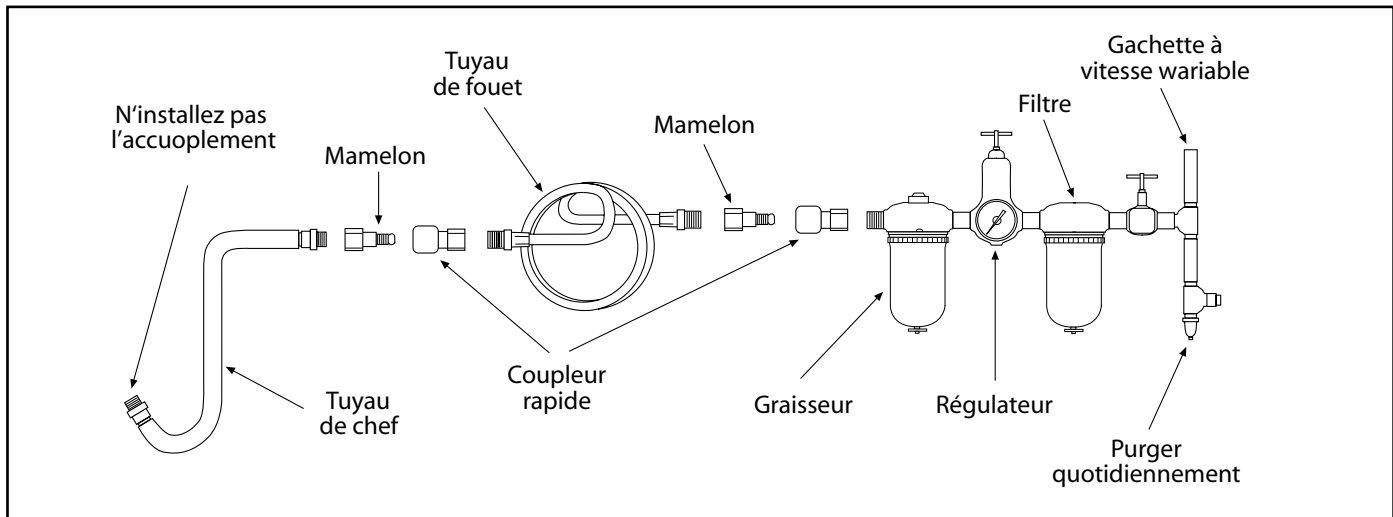
• N'enlevez aucune étiquette. Remplacez toute étiquette abîmée.

• Le manquement d'observer ces inscriptions peut avoir comme conséquence des blessures sérieuses ou mortelles et/ou des dégâts matériels.

AVERTISSEMENT: Ce produit peut vous exposer à des produits chimiques y compris le nickel, reconnu par l'État de la Californie comme causant le cancer et des anomalies congénitales ou d'autres effets nuisibles sur la reproduction. Pour de plus amples informations, aller à www.P65Warnings.ca.gov.



SOURCE D'ALIMENTATION EN AIR



Les outils de cette catégorie fonctionnent avec un large éventail de pressions d'air. Il est recommandé que la pression d'air de ces outils soit de 90 lb/po² lorsqu'ils fonctionnent à vide. Une faible pression (moins de 90 lb/po² ou de 6,2 bar) réduit la vitesse de tous les outils pneumatiques. Une faible pression d'air représente non seulement une perte de temps, mais aussi d'argent. Une pression plus élevée (plus de 90 lb/po² ou 6,2 bar) augmente la performance au-dessus de la puissance nominale de l'outil, ce qui réduit la durée de vie de l'outil en raison de l'usure

accélérée et peut causer des blessures. La procédure de montage recommandée est illustrée dans la figure ci-dessus.

Utilisez toujours de l'air comprimé propre et sec. La présence de poussière, de vapeurs corrosives et/ou d'eau dans la conduite d'air peut endommager l'outil. Videz le réservoir d'air comprimé tous les jours. Nettoyez le filtre de l'entrée d'air au moins une fois par semaine.

La source d'alimentation en air est raccordée à une entrée d'air ayant un filetage normalisé

NPT de 1/4 po. Il faut augmenter la pression dans la conduite d'air dans le cas de boyaux à air exceptionnellement longs (plus de 25 pieds). Le diamètre intérieur minimal du boyau doit être de 3/8 po. Les raccords doivent avoir le même diamètre intérieur et être serrés solidement.

Un robinet d'arrêt accessible en situation d'urgence doit être installé sur la conduite d'alimentation en air et son emplacement doit être connu de tous ceux qui travaillent à proximité.

LUBRICATION

Lubrifiez le moteur pneumatique chaque jour avec de l'huile à outil pneumatique NAPA. Si vous n'utilisez pas de burette à conduite d'air, injectez 1/2 oz d'huile dans l'outil. Vous pouvez injecter l'huile dans l'entrée d'air de l'outil ou dans le boyau par

l'entremise du raccord le plus près de la source d'alimentation en air. Ensuite, faites fonctionner l'outil. Un excès d'huile réduira la puissance de l'outil.

AVERTISSEMENT : Une fois l'outil pneumatique lubrifié, de l'huile s'écoulera

de l'orifice d'échappement pendant les premières secondes de fonctionnement. L'orifice d'échappement doit être recouvert d'un chiffon avant de mettre en marche l'outil pour prévenir les blessures graves.

UTILISATION

Sélectionnez un disque abrasif approprié et assurez-vous qu'il est solidement fixé au tampon. Branchez une alimentation en air appropriée tel que recommandé dans la figure 1. L'entrée d'air de cet outil est dotée d'un filetage NPT standard de 1/4 po.

Après avoir installé le papier sablé, commencez à utiliser la ponceuse sous un banc afin de vous assurer que le papier sablé est bien fixé. Posez la ponceuse sur l'ouvrage de manière uniforme et déplacez-la lentement d'avant en arrière

sur de larges zones qui se chevauchent. Une pression supplémentaire peut être utilisée pour une utilisation plus efficace de l'outil lorsque le matériau à poncer est épais. Une pression plus légère peut être utilisée pour les ponçages délicats ou pour utiliser les bords du patin de ponçage. Une fois le ponçage terminé, soulevez l'outil de l'ouvrage avant d'arrêter le moteur.

Faites très attention lorsque vous poncez autour d'arêtes et de surfaces

tranchantes afin d'éviter que le disque ne s'accroche, c'est-à-dire qu'il ne s'arrête brusquement ou ne ralentisse considérablement, ce qui provoquerait un coup de pied dans les mains de l'opérateur. Il est toujours recommandé d'utiliser des gants et des lunettes de sécurité. Le ponçage de certains matériaux peut créer une poussière dangereuse qui peut requérir un équipement respiratoire spécial. Vérifiez avant d'utiliser l'outil. Il est recommandé d'utiliser un appareil respiratoire approprié pendant

UTILISATION

le ponçage. Même si l'outil a un faible niveau sonore, le processus de ponçage proprement dit peut générer un niveau sonore tel qu'il est nécessaire d'utiliser des protections auditives. Il est recommandé d'utiliser des protections auditives pendant le ponçage.

Ne continuez pas à utiliser des disques abrasifs usés ou obstrués. Cela rendra le processus de ponçage inefficace et augmentera la nécessité d'appliquer des forces inutilement élevées à l'outil. N'utilisez pas de disques de ponçage trop grands ou trop petits. Le diamètre du disque ne doit pas être supérieur de plus de ¼ po à celui du tampon et ne doit jamais être inférieur à la taille du tampon.

Un régulateur d'air est situé sur le côté du boîtier de l'outil. Il permet de faire varier le volume d'air comprimé alimentant le moteur, ce qui fait varier la vitesse de la ponceuse.

Utiliser seulement avec des meules dont la vitesse admise est égale ou supérieure à 21 000 tr/min.

6-1151 - Especificaciones

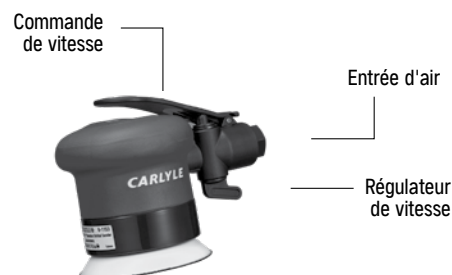
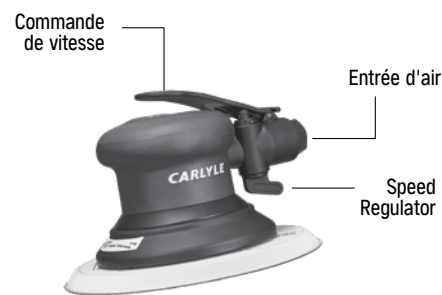
Cheval-vapeur	0,3HP
Longueur	18,5 cm (7,3 po)
Largeur	22,9 cm (9 po)
Poids	2,7 lbs.
RPM 1	2 000
Type de système d'aspiration	Sans aspiration
Niveau sonore	81,2 dBa
Consommation d'air	2,4 CFM
Taille du filetage de l'entrée d'air	1/4" NPT
Taille de tuyau recommandée	3/8" I.D.
Pression d'air recommandée	90psi (6.2 bar)

6-1152 - Especificaciones

Cheval-vapeur	0,3HP
Longueur	18,5 cm (7,3 po)
Largeur	22,9 cm (9 po)
Poids	2,7 lbs.
RPM	12 000
Type de système d'aspiration	Sans aspiration
Niveau sonore	81,2 dBa
Consommation d'air	2,4 CFM
Taille du filetage de l'entrée d'air	1/4" NPT
Taille de tuyau recommandée	3/8" I.D.
Pression d'air recommandée	90psi (6.2 bar)

6-1153 - Especificaciones

Cheval-vapeur	0,3HP
Longueur	24,4 cm (9,6 po)
Largeur	15,7 cm (6,2 po)
Poids	1,6 lbs.
RPM	12 000
Type de système d'aspiration	Sans aspiration
Niveau sonore	81,2 dBa
Consommation d'air	2,4 CFM
Taille du filetage de l'entrée d'air	1/4" NPT
Taille de tuyau recommandée	3/8" I.D.
Pression d'air recommandée	90psi (6.2 bar)



GARANTIE

Important : SI LE PRODUIT S'AVÈRE DÉFECTUEUX APRÈS LA PÉRIODE DE COUVERTURE D'UN (1) AN DE LA GARANTIE, NE PAS LE RETOURNER AU POINT DE VENTE.

POLITIQUE DE GARANTIE : Cet outil pneumatique Carlyle est garanti contre les défauts de matériaux et de fabrication pendant un (1) an à compter de la date d'achat. Les réparations et les remplacements sont garantis comme décrit ci-dessus pour la durée de la couverture initiale. Dans l'éventualité peu probable où l'outil devrait être remplacé au cours de la période de couverture d'un (1) an, retournez-le au magasin NAPA Pièces d'auto de votre région et il sera remplacé. Cette garantie ne couvre pas les produits qui ont fait l'objet d'un usage abusif, d'un mauvais usage, d'une modification, d'une négligence, d'un entretien insuffisant, d'une utilisation pour des activités de production ou d'une réparation ailleurs que dans un centre de réparation autorisé d'outils pneumatiques Carlyle.

Pour consulter la liste complète des centres de réparation autorisés d'outils pneumatiques, voyez le formulaire de réclamation en vertu de la garantie ci-joint ou rendez-vous au www.toolwarrantyrepair.com.

CLÉ À CHOCS

CET OUTIL NE FONCTIONNE PAS OU FONCTIONNE À FAIBLE RÉGIME SEULEMENT ET/OU GÉNÈRE UN FAIBLE DÉBIT D'AIR DU TUYAU D'ÉCHAPPEMENT —

Ce problème est probablement causé par une pression d'air insuffisante, par la présence de contaminants qui obstruent le passage de l'air ou nuisent au fonctionnement de pièces du moteur ou par des vibrations qui ont entraîné le retour accidentel de l'interrupteur à la position d'arrêt.

CONSEIL : Vérifiez si la pression produite par la source d'alimentation en air est suffisante. Vérifiez si le filtre de l'entrée d'air est obstrué. Injectez une généreuse dose d'huile à outil pneumatique dans l'entrée d'air. Faites fonctionner l'outil par saccades, en marche avant et arrière. Répétez l'opération au besoin. Si l'outil ne fonctionne pas mieux, faites-le réparer par un centre de réparation autorisé.

L'OUTIL NE FONCTIONNE PAS, MALGRÉ UN DÉBIT D'AIR RÉGULIER À LA SORTIE D'AIR. Ce problème est probablement causé par le blocage d'une ou plusieurs palettes du moteur résultant d'une accumulation de boue ou de vernis, ou encore par la présence de rouille dans le moteur.

CONSEIL : Injectez une généreuse dose d'huile à outil pneumatique dans l'entrée d'air. Faites fonctionner l'outil par saccades, en marche avant et arrière. Tapez doucement sur le boîtier du moteur avec un maillet en plastique. Débranchez la source d'alimentation en air. Essayez de débloquer le moteur en faisant tourner l'arbre d'entraînement à la main, si possible. Si l'outil demeure enrayé, faites-le réparer par un centre de réparation autorisé.

LES DOUILLES NE DEMEURENT PAS EN PLACE. Ce problème est probablement causé par une bague de retenue usée ou par un joint torique ramolli.

CONSEIL : Portez des lunettes de sécurité. Débranchez la source d'alimentation en air. À l'aide d'une pince pour, enlevez la bague de retenue usée. En retenant la prise carrée avec la clé appropriée, utilisez un petit tournevis pour déloger la bague de retenue. Évitez de diriger ce mouvement vers vous, car la bague peut être éjectée à grande vitesse. Installez un joint torique et une bague de retenue de rechange (voir le schéma). Posez la bague de retenue sur l'établi et pressez-la avec le mandrin de l'outil en effectuant un mouvement de balancier. Avec votre main, fixez la bague dans la rainure.

USURE PRÉMATURÉE DU MANDRIN. Ce problème est probablement causé par l'utilisation de porte-douilles en chrome, qui ne sont pas conçus pour être utilisés avec la clé à chocs, ou de porte-douilles usés.

CONSEIL : Cessez d'utiliser des douilles en chrome, car celles-ci ont une surface externe rigide et une structure interne souple. L'action d'un outil à chocs muni d'une telle douille endommage la prise et rend le serrage difficile. Les douilles en chrome endommagent rapidement le mandrin des clés, qui peut se détacher et se briser et causer aussi des blessures ou la mort.

L'OUTIL PERD PROGRESSIVEMENT SA PUISSANCE MAIS CONTINUE À TOURNER À PLEIN RÉGIME QUAND IL TOURNE À VIDE.

Ce problème est probablement causé par des pièces d'embrayage usées, une lubrification inadéquate ou une came usée.

CONSEIL — CLÉS LUBRIFIÉES AVEC DE L'HUILE :

Vérifiez la présence d'huile à embrayage (là où il est spécifié d'utiliser de l'huile pour l'embrayage) et enlevez le bouchon de remplissage d'huile. Inclinez le boîtier pour vider toute l'huile qu'il contient. Remplissez le boîtier avec de l'huile pour outils pneumatiques NAPA ou avec l'huile recommandée par le fabricant, selon la quantité spécifiée. Vérifiez également s'il y a un surplus d'huile à embrayage. Les boîtiers doivent être remplis à mi-capacité. Un remplissage excessif peut gêner le fonctionnement des pièces d'embrayage à haut régime. Une clé typique à prise de 1/2 po lubrifiée à l'huile nécessite seulement 1/2 once d'huile à embrayage. **CLÉS LUBRIFIÉS AVEC DE LA GRAISSE :** Vérifiez s'il y a un surplus de graisse en faisant tourner l'arbre d'entraînement à la main. Ce dernier devrait tourner librement, et normalement le surplus de graisse devrait s'écouler de lui-même.

L'OUTIL N'ARRÊTE PAS DE FONCTIONNER.

Ce problème est probablement causé par le bris ou le désalignement du joint torique de la vanne-papillon, ou par le gauchissement ou le coincement de la tige de la vanne-papillon.

CONSEIL : Enlevez la vanne-papillon et installez un nouveau joint torique. Lubrifiez le tout avec de l'huile à outil pneumatique et appuyez fermement sur la détente. Si l'outil demeure enrayé, faites-le réparer par un centre de réparation autorisé.

CLÉS À CLIQUET PNEUMATIQUE

LE MOTEUR FONCTIONNE. CEPENDANT, LA BROCHE NE TOURNE PAS OU TOURNE IRRÉGULIÈREMENT —

Ce problème peut être causé par l'usure des dents de la clé ou du cliquet, par le bris ou la fatigue d'un ressort du cliquet, ou par la fatigue d'un ressort de retenue qui ne peut plus retenir la broche lors du mouvement du cliquet.

CONSEIL : Faites installer des pièces de rechange par un centre de réparation autorisé.

L'OUTIL NE FONCTIONNE PAS, LA TÊTE DE LA CLÉ OFFRE UNE RÉSISTANCE SOUS L'ACTION DE LA MAIN —

Ce problème est probablement causé par l'accumulation de saletés ou de boue dans les pièces du moteur.

CONSEIL : Injectez une généreuse dose d'huile à outil pneumatique dans l'entrée d'air. Faites fonctionner l'outil par saccades. Engagez l'outil sur un boulon et serrez et desserrez ce dernier tour à tour manuellement. Si l'outil demeure enrayé, faites-le réparer par un centre de réparation autorisé.

PERCEUSES PNEUMATIQUES

L'OUTIL NE FONCTIONNE PAS OU FONCTIONNE LENTEMENT, UN FAIBLE DÉBIT D'AIR SORT DE LA SORTIE D'AIR, LA BROCHE TOURNE LIBREMENT -

Ce problème est probablement causé par une obstruction du passage de l'air ou le coincement de pièces de moteur.

CONSEIL : Vérifiez si l'entrée d'air n'est pas obstruée. Injectez une généreuse dose d'huile à outil pneumatique dans l'entrée d'air.

DÉPANNAGE

FAITES FONCTIONNER L'OUTIL PAR SACCADES. Débranchez la source d'alimentation en air. Avec votre main, faites tourner le mandrin de la perceuse, vide et en position fermée. Rebranchez la source d'alimentation en air. Si l'outil ne fonctionne pas mieux, faites-le réparer par un centre de réparations autorisé.

L'OUTIL NE FONCTIONNE PAS, MALGRÉ UN DÉBIT D'AIR RÉGULIER À LA SORTIE D'AIR. LA BROCHE TOURNE LIBREMENT. Ce problème est probablement causé par une palette de moteur brisée ou des engrenages coincés ou brisés.

CONSEIL : Injectez une généreuse dose d'huile à outil pneumatique dans l'entrée d'air. Faites fonctionner l'outil par saccades. Débranchez la source d'alimentation en air. Avec votre main, faites tourner le mandrin de la perceuse, vide et en position fermée. Rebranchez la source d'alimentation en air. Si l'outil ne fonctionne pas mieux, faites-le réparer par un centre de réparations autorisé.

OUTIL COINCÉ. LA BROCHE NE TOURNE PAS — Ce problème est probablement causé par une palette de moteur brisée ou des engrenages coincés ou brisés.

CONSEIL : Faites réparer l'outil par un centre de réparations autorisé.

L'OUTIL N'ARRÊTE PAS DE FONCTIONNER — Le joint torique de la vanne-papillon est probablement désaligné.

CONSEIL : Remplacez le joint torique (voir le schéma) ou faites réparer l'outil par un centre de réparation autorisé.

MARTEAUX PNEUMATIQUES

L'OUTIL NE FONCTIONNE PAS

Ce problème est probablement causé par l'obstruction de la vanne à fonctionnement cyclique ou de la vanne-papillon.

CONSEIL : Vérifiez si l'entrée d'air n'est pas obstruée. Injectez une généreuse dose d'huile à outil pneumatique dans l'entrée d'air. Faites fonctionner l'outil par saccades avec le burin en place et contre une surface solide. Débranchez la source d'alimentation en air. Tapez doucement sur le nez ou sur le corps de l'outil avec un maillet en plastique, rebranchez la source d'alimentation en air et répétez les étapes ci-dessus. Si l'outil est toujours enrayé, insérez une tige de 6 po de longueur et de 1/8 po de diamètre dans l'embout et tapez légèrement dessus pour

ramener le piston en mode de marche arrière. Rebranchez la source d'alimentation en air et répétez les étapes ci-dessus.

BURIN COINCÉ DANS L'EMBOUT Ce problème est probablement causé par la déformation d'une tige.

CONSEIL : Faites réparer l'outil par un centre de réparation autorisé.

REMARQUE : LE DÉMONTAGE DE CET OUTIL PAR UNE AUTRE PARTIE QU'UN CENTRE DE RÉPARATION AUTORISÉ AURA POUR EFFET D'ANNULER LA GARANTIE.

PONCEUSES/MEULEUSES

L'OUTIL NE TOURNE PAS OU TOURNE

LENTEMENT — Cette situation est probablement due à une pression d'air trop basse, à une tuyauterie d'air obstruée ou à un régulateur de vitesse qui s'est refermé de lui-même sous l'effet des vibrations.

MARCHE À SUIVRE : Vérifier la pression au compresseur et le débit des conduites d'air. Vérifier que la crépine d'entrée de l'outil n'est pas obstruée et que le régulateur de pression est bien en position ouverte (ON). Si cela ne suffit pas à rétablir le fonctionnement normal, confier l'outil à un centre de service autorisé.

L'OUTIL EST BLOQUÉ — L'arbre ou le plateau ne tourne pas. Il peut s'agir d'une pale de turbine cassée, d'un engrenage coincé ou brisé, ou encore d'un roulement grippé.

MARCHE À SUIVRE : Faire réparer l'outil dans un centre de service autorisé.

L'OUTIL NE S'ARRÊTE PLUS ET TOURNE CONTINUUELLEMENT — Le siège de la soupape de commande est desserré ou endommagé

MARCHE À SUIVRE : Remplace le joint torique ou le siège de la soupape de commande (voir la nomenclature pour les numéros de pièce appropriés) ou confier l'outil à un centre de service autorisé.

SURFACE MEULÉE/PONCÉE INÉGALE

— Ce problème peut être causé par un plateau ou un disque desserré, usé ou endommagé.

MARCHE À SUIVRE : Vérifier la fixation du plateau et du disque sur l'arbre; resserrer au besoin. Remplacer le plateau ou le disque s'il est endommagé ou usé.