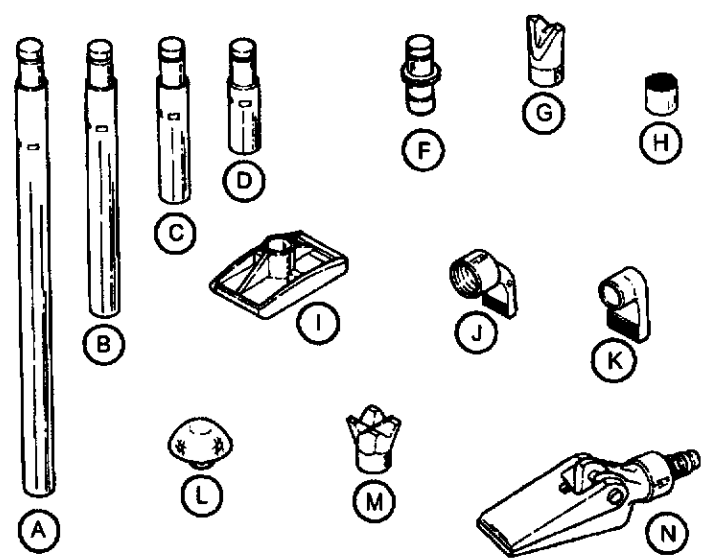


Ref. No.	Part No.	Description	Qty.	Ref. No.	Part No.	Description	Qty.
	559001	Complete pump assembly		25	554025	Dust cover, male	1
	559002	Complete ram assembly		26	554026	Quick coupler, male	1
	554001SK	Seal kit for pump		27	554027	Release valve assembly (includes 28, 32)	1
	559002SK	Seal kit for ram		30	554030	Hose assembly	1
19	559019	Cover	1	48	554048	Filler screw	1
22	554022	Dust cover, female	1	60	559060	Handle (includes 59)	1
23	554023	Quick coupler, female (20,21,22)	1	64	559064	Blow mold case (not shown)	1



Ref. No.	Part No.	Description	Qty.
A	559065	27" Extension tube	1
B	559066	18" Extension tube	1
C	559067	10" Extension tube	1
D	559068	4-1/8" Extension tube	1
F	559070	male connector	1
G	559071	wedge head	1
H	559072	serrated saddle	1
I	559073	flat base	1
J	559074	ram toe	1
K	559075	plunger toe	1
L	559076	2-3/4" rubber head	1
M	559077	90° combination head	1
N	554078	hydraulic spreader	1

Also Available (not pictured)

Part No.	Description	Part No.	Description
559079	10 ton short ram	559082	10 ton chain assembly
559080	10 ton clamp hook	559083	10 ton chain pull collar
559081	10 ton c-clamp pull		