

KTI63517
1.5 TON TRUCK TRANSMISSION JACK

OWNERS MANUAL



SPECIFICATIONS

Capacity	1-1/2 Ton	Chassis Width	26"
Low Height.....	8-5/8"	Saddle Tilt Fore and Aft	10° by 10°
Raised Height.....	36-5/8"	Saddle Tilt Side to Side.....	+10°, 10°
Length.....	43-1/2"	Shipping Weight.....	350 lbs.

Complies with ASME PALD/2009 Safety Standard

WARNING INFORMATION



This is the safety alert symbol. It is used to alert you to potential personal injury hazards. Obey all safety messages that follow this symbol to avoid possible injury or death.

WARNING

WARNING: Indicates a hazardous situation which, if not avoided, could result in death or serious injury.



IMPORTANT: READ THESE INSTRUCTIONS BEFORE OPERATING

BEFORE USING THIS DEVICE, READ THIS MANUAL COMPLETELY AND THOROUGHLY, UNDERSTAND ITS OPERATING PROCEDURES, SAFETY WARNINGS AND MAINTENANCE REQUIREMENTS.

It is the responsibility of the owner to make sure all personnel read this manual prior to using the device. It is also the responsibility of the device owner to keep this manual intact and in a convenient location for all to see and read. If the manual or product labels are lost or not legible, contact K-Tool International for replacements. If the operator is not fluent in English, the product and safety instructions shall be read to and discussed with the operator in the operator's native language by the purchaser/owner or his designee, making sure that the operator comprehends its contents.

THE NATURE OF HAZARDOUS SITUATIONS

WARNING

The use of portable automotive lifting and support devices is subject to certain hazards that cannot be prevented by mechanical means, but only by the exercise of intelligence, care, and common sense. It is therefore essential to have owners and personnel involved in the use and operation of the equipment who are careful, competent, trained, and qualified in the safe operation of the equipment and its proper use. Examples of hazards are dropping, tipping or slipping of loads caused primarily by improperly secured loads, overloading, off-centered loads, use on other than hard level surfaces, and using equipment for a purpose for which it was not designed.

METHODS TO AVOID HAZARDOUS SITUATIONS

WARNING

- Read, study, understand, and follow all instructions before operating this device.
- Inspect the jack before each use. Do not use jack if damaged, altered, modified, in poor condition, or has loose or missing hardware or components. Make corrections before using.
- Consult the vehicle manufacturer for the transmission's center of balance.
- Secure the transmission to the jack's saddle with the anchorage restraint system provided before raising or lowering the transmission.
- Center load on saddle. Be sure setup is stable before working on vehicle.
- Support the engine with a stand before unbolting the transmission from the engine.
- Wear eye protection that meets ANSI Z87.1 and OSHA standards (users and bystanders).
- Do not use jack beyond its rated capacity. Do not shock load.
- Use only on a hard level surface.
- Adequately support the vehicle before starting repairs.
- Use of this product is limited to the removal, installation and transportation in the lowered position, of transmissions, transfer cases and transaxles.
- Do not use any adapters unless approved or supplied by K-Tool International.
- Always lower the jack slowly and carefully.
- This product may contain one or more chemicals known to the State of California to cause cancer and birth defects or other reproductive harm. *Wash hands thoroughly after handling.*
- Failure to heed these warnings may result in personal injury and/or property damage.

CONSEQUENCES OF NOT AVOIDING HAZARDOUS SITUATIONS

WARNING

Failure to read this manual completely and thoroughly, failure to understand its OPERATING INSTRUCTIONS, SAFETY WARNINGS, MAINTENANCE INSTRUCTIONS and comply with them, and failure to comply with the METHODS TO AVOID HAZARDOUS SITUATIONS could cause accidents resulting in serious or fatal personal injury and/or property damage.

SETUP INSTRUCTIONS



This is the safety alert symbol used for the SETUP INSTRUCTIONS section of this manual to alert you to potential personal injury hazards. Obey all instructions to avoid possible injury or death.

1. Refer to the exploded view drawing on page 5 to identify jack components.
2. The #3-7 and #3-13 fingers must be installed in the #3-8 saddle with the #3-6 bolts, #3-9 washers and #3-10 wing nuts as shown in the exploded view drawing.
3. The #3-4 chains must be attached to the #3-7 fingers as shown in the exploded view drawing and secured to the fingers with the #3-1 bolts, #3-2 washers, #3-3 lock washers and #3-5 nuts provided.
4. Assemble the #3-16 chain hooks to the #3-15 adaptor bolts with the #3-14 wing nuts as shown in the drawing.
5. Secure the #3-15 adaptor bolts to the two remaining #3-13 fingers using the #3-12 washers and #3-11 nuts.
6. Air may get trapped in the hydraulic system during freight and handling.

PURGING AIR FROM THE HYDRAULIC SYSTEM:

- a. Rotate the release knob #1-21 at the top of the body #1-10 in a clockwise direction until tight. Now turn it in a counterclockwise direction two full turns.
 - b. Activate the handle #1-45 about 15 times.
 - c. Rotate the release knob #1-21 at the top of the body #1-10 in a clockwise direction until tight.
 - d. Activate the handle #1-45 until the lift arm #29 is raised to maximum height. You should experience a full pump stroke with each incremental pump.
 - e. Repeat steps "a" through "d" until all air is purged from the system.
-

OPERATING INSTRUCTIONS



This is the safety alert symbol used for the OPERATING INSTRUCTIONS section of this manual to alert you to potential personal injury hazards. Obey all instructions to avoid possible injury or death.

1. Lift the vehicle to the desired work height, and support the vehicle in accordance with the lift manufacturer's recommended lifting and support procedures.
 2. Position the transmission jack directly under the transmission. Turn the release knob #1-21 all the way in a clockwise direction until it stops. Pump the handle #1-45, and the saddle #3-8 will start to rise. Raise the saddle to a height very close to the center of balance point of the transmission, but do not touch the transmission.
 3. Loosen the four bolts #3-6 that secure the four fingers #3-7 and #3-13 to the saddle #3-8. The fingers #3-7 and #3-13 can be adjusted in and out to help position the transmission on the saddle. Now gently raise the saddle so it supports the transmission. Adjust the four fingers in position against the transmission, and tighten the bolts #3-6 that secure the fingers to the saddle. Fore and aft saddle tilt adjustments and side to side adjustments are necessary to properly position the transmission on the saddle. These adjustments can be made by rotating the two knobs #18.
 4. The chain #3-4 should be pulled over the center of balance portion of the transmission and secured on the chain hooks #3-16. Rotate the wing nuts #3-14 to take up the slack in the chain #3-4 and secure the transmission to the saddle #3-8.
 5. Remove the transmission from the engine according to instructions in the vehicle service manual.
 6. Once the transmission has been disconnected from the engine, very slowly turn the jack's release knob #1-21 in a counterclockwise direction to make sure the jack's saddle #3-8 and transmission do not hang up on any under vehicle components, wiring, fuel lines, etc. Continue to lower the jack all the way down.
 7. Remember to secure the transmission to the saddle before installing, and follow the vehicle manufacturer's installation instructions.
-

PREVENTATIVE MAINTENANCE



This is the safety alert symbol used for the PREVENTATIVE MAINTENANCE section of this manual to alert you to potential personal injury hazards. Obey all instructions to avoid possible injury or death.

1. Always store the jack in a well protected area where it will not be exposed to inclement weather, corrosive vapors, abrasive dust, or any other harmful elements. The jack must be cleaned of water, snow, sand, grit, oil, grease or other foreign matter before using.
2. The jack must be lubricated periodically in order to prevent premature wearing of parts. A general purpose grease must be applied to all zerk grease fittings, caster wheels, elevator arm, handle base pivot bolts, release mechanism and all other bearing surfaces.

3. It should not be necessary to refill or top off the reservoir with hydraulic fluid unless there is an external leak. An external leak requires immediate repair which must be performed in a dirt-free environment by qualified hydraulic repair personnel who are familiar with this equipment.

IMPORTANT: In order to prevent seal damage and jack failure, never use alcohol, hydraulic brake fluid or transmission oil in the jack. Use hydraulic jack oil, a light turbine oil, Chevron AW ISO 32 or Unocal Unax AW 150.

4. Every jack owner is responsible for keeping the jack labels clean and readable. Use a mild soap solution to wash external surfaces of the jack but not any moving hydraulic components. Contact K-Tool International for a replacement label if your jack's label is unreadable.
5. Inspect the jack before each use. Do not use the jack if any component is cracked, broken, bent, shows sign of damage or leaks hydraulic fluid. Do not use the jack if it has loose or missing hardware or components, or is modified in any way. Take corrective action before using the jack again.
6. Do not attempt to make any hydraulic repairs unless you are a qualified hydraulic repair person that is familiar with this equipment. Repairs must be performed by an authorized service center.

TROUBLESHOOTING

PROBLEM: UNIT WILL NOT LIFT RATED LOAD.

ACTION: Purge air from hydraulic system by following procedure under SETUP INSTRUCTIONS.

PROBLEM: UNIT WILL NOT SUSTAIN RATED LOAD OR FEELS "SPONGY" UNDER RATED LOAD.

ACTION: Purge air from hydraulic system as above.

PROBLEM: UNIT WILL NOT LIFT TO FULL HEIGHT.

ACTION: Purge air from hydraulic system as above.

PROBLEM: HANDLE TENDS TO RAISE UP WHILE THE UNIT IS UNDER RATED LOAD.

ACTION: Pump the handle rapidly several times to push oil past ball valves in power unit.

PROBLEM: UNIT STILL DOES NOT OPERATE.

ACTION: Contact your place of purchase for details on handling warranty.

WARRANTY HANDLING PROCEDURES AND GUIDELINES FOR HD AND XD LIFTING EQUIPMENT

K-Tool International warrants that all jacks and service-related equipment will be free from defects in material and workmanship for a period of 2 years following the original date of purchase. This warranty is extended to the original retail purchaser only. If any jack or service-related item proves to be defective during this period, it will be replaced or repaired, at K-Tool International's option, without charge. This warranty does not apply to damage from accident, overload, misuse or abuse, nor does it apply to any equipment which has been altered or used with special attachments other than those recommended. This warranty does not cover repairs made by anyone who is not a K-Tool International Professional Lifting Equipment Authorized Repair Center.

All HD and XD jacks or service-related equipment will be replaced or repaired at K-Tool International's option during the 2 year warranty period.

During the 2 year warranty period, all alleged defective products must be shipped, freight prepaid, along with proof of date-of-purchase, to your nearest K-Tool International Professional Lifting Equipment Authorized Warranty Center. Be certain to include your name, address and phone number along with proof-of-purchase information, and a brief description of the alleged defect. The product will be returned to the customer, freight prepaid.

Many alleged defectives may simply be handled by calling your nearest Service Center for parts. See pages 17 - 19 for a listing of authorized warranty service centers.

In no event shall K-Tool International be liable for incidental or consequential damages. The liability on any claim for loss or damage arising out of the sale, resale or use of a jack or related service equipment, shall in no event exceed the purchase price. SOME STATES DO NOT ALLOW THE EXCLUSION OR LIMITATION OF INCIDENTAL OR CONSEQUENTIAL DAMAGES, SO THE ABOVE LIMITATION MAY NOT APPLY TO YOU.

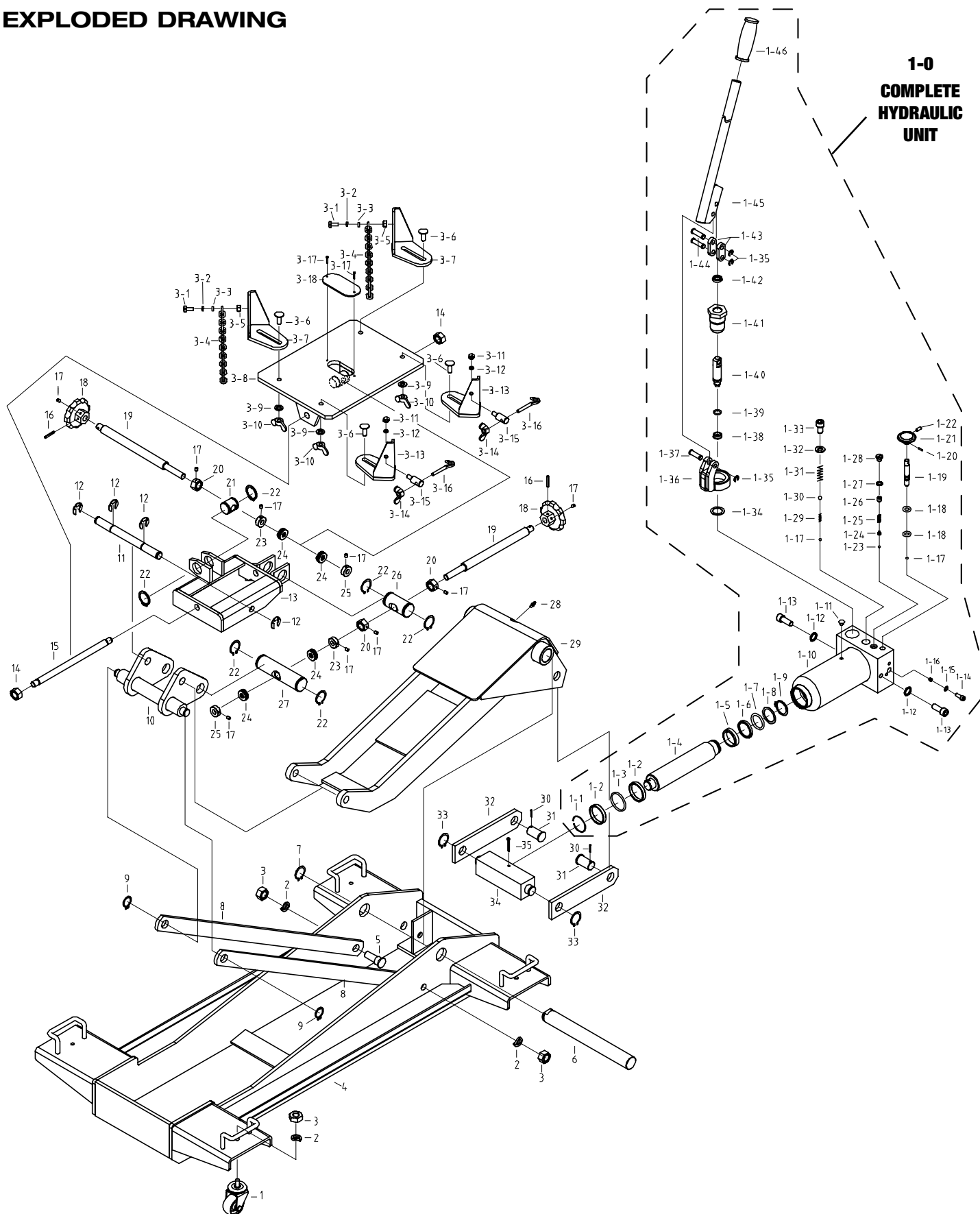
THIS WARRANTY IS THE SOLE AND EXCLUSIVE WARRANTY PROVIDED IN CONNECTION WITH THE SALE OF K-TOOL INTERNATIONAL PROFESSIONAL LIFTING EQUIPMENT. ALL OTHER WARRANTIES, INCLUDING ANY IMPLIED WARRANTIES OF MERCHANTABILITY OR FITNESS FOR A PARTICULAR PURPOSE, ARE EXCLUDED.

THIS WARRANTY GIVES YOU SPECIFIC LEGAL RIGHTS AND YOU MAY ALSO HAVE OTHER RIGHTS WHICH VARY FROM STATE TO STATE.

KTI63517

1.5 TON TRUCK TRANSMISSION JACK

EXPLODED DRAWING



KTI63517
1.5 TON TRUCK TRANSMISSION JACK
PARTS LIST

REF. #	PART #	DESCRIPTION	QTY.	REF. #	PART #	DESCRIPTION	QTY.
1	KTP6351701	Wheel Assembly/each (incl. #1,2,3)	4	1-20		Pin	1
2		Washer	6	1-21		Release Knob	1
3		Nut	6	1-22		Screw	1
4		Frame Board Assy.	1	1-23	*	Steel ball 4	1
5		Bolt	2	1-24		Ball seat	1
6		Shaft	1	1-25	*	Spring	1
7		Washer	1	1-26		Screw	1
8		Rod Link	2	1-27		Sealing washer	1
9		Washer	2	1-28		Screw	1
10		Saddle Seat	1	1-29	*	Spring	1
11		Shaft	1	1-30	*	Steel ball 9	1
12		Washer	4	1-31	*	Spring	1
13		Bracket	1	1-32	*	Copper washer	1
14		Nut	2	1-33		Screw	1
15		Shaft	1	1-34	*	Copper washer	1
16		Pin	2	1-35		Washer	3
17	**	Bolt	9	1-36		Bracket	1
18		Knobs	2	1-37		Pin	1
19	KTP6351719	Adjustment Rod Assembly/each (incl. #16-19)	2	1-38	*	Y-ring	1
20	**	Nut	3	1-39	*	O-ring	1
21	KTP6351721	Shaft	1	1-40		Cylinder Pump	1
22	KTP6351722	Retaining Ring/each	6	1-41		Pump cylinder	1
23	**	Nut	2	1-42	*	Dustproof plug	1
24	**	Bearing	4	1-43		Washer	2
25	**	Nut	2	1-44		Pin	2
26	KTP6351726	Shaft	1	1-45		Handle	1
27	KTP6351727	Shaft	1	1-46		Handle Sleeve	1
28		Grease Fitting	1	3-1	***	Bolt	2
29		Lift Arm Assembly	1	3-2	***	Washer	2
30		Pin	2	3-3	***	Lock Washer	2
31		Shaft	2	3-4	KTP6351734	Chain/each	2
32		Rod Link	2	3-5	***	Nut	2
33		Washer	2	3-6	***	Bolt	4
34		Rod Link	1	3-7	KTP6351737	Fingers	2
35		Pin	1	3-8		Saddle	1
1-0	KTP63517HU	Complete Hydraulic Unit	1	3-9	***	Washer	4
1-1		Washer	1	3-10	***	Wing Nut	4
1-2		Washer	2	3-11	***	Nut	2
1-3	*	O-ring	1	3-12	***	Washer	2
1-4		Piston Rod	1	3-13	KTP63517313	Fingers	2
1-5		Piston ring	1	3-14	***	Wing nut	2
1-6	*	Sealing washer	1	3-15	***	Adapter Bolt	2
1-7	*	O-ring	1	3-16	***	Chain Hook	2
1-8		Washer	1	3-17		Bolt	2
1-9		Washer	1	3-18		Board	1
1-10		Body	1	N/S	KTP63517LK	Product Label Kit (not shown)	1
1-11	*	Oil filler plug	1				
1-12		Washer	2				
1-13		Bolt	2				
1-14		Bolt	1				
1-15	*	Copper washer	1				
1-16		Valve	1				
1-17	*	Steel ball 6	2				
1-18	*	O-ring	2				
1-19	KTP63517119	Release Valve Assembly (incl. 1-19 to 1-21)	1				

* Available in seal kit, KTP63517SK

** Available in saddle bearing kit, KTP63517SBK (incl. #17 (7), #20 (3), #23 (2), #24 (4), #25 (2)).

*** Available in bolt kit, KTP63517BK

Only index numbers identified by part number are available separately.

KTI63517

GATO PARA TRANSMISIONES DE CAMIÓN DE 1.5 TONELADAS

MANUAL DEL PROPIETARIO



ESPECIFICACIONES

Capacidad	1.5 Toneladas	Anchura del chasis	26"
Altura baja	8-5/8"	Inclinación de la silla hacia atrás y adelante	10° por 10°
Altura elevada.....	36-5/8"	Inclinación de la silla de lado a lado	+10°, 10°
Longitud.....	43-1/2"	Peso de embarque.....	350 lbs.

Cumple con las Normas de Seguridad/ASME PALD-2009

INFORMACIÓN DE ADVERTENCIA



Este símbolo indica una alerta de seguridad y se usa para advertir sobre peligro de accidentes personales. Observe toda la información de seguridad que sigue a este símbolo para evitar la posibilidad de que ocurran lesiones o muerte.

⚠ ADVERTENCIA

ADVERTENCIA: Indica una situación peligrosa que si no se evita, puede provocar la muerte o lesiones graves.



IMPORTANTE: LEA ESTAS INSTRUCCIONES ANTES DE USAR EL DISPOSITIVO

ANTES DE USAR ESTE DISPOSITIVO, LEA ESTE MANUAL DETENIDAMENTE. PROCURE ENTENDER SUS PROCEDIMIENTOS OPERATIVOS, ADVERTENCIAS DE SEGURIDAD Y FORMA DE MANTENIMIENTO.

El propietario es responsable de asegurarse de que todo el personal lea este manual antes de usar el dispositivo. Asimismo, es responsabilidad del propietario mantener este manual en buenas condiciones en una ubicación conveniente para su consulta. Si el manual y las etiquetas del producto se pierden o no son legibles, comuníquese con K-Tool International por sus repuestos. El comprador/propietario o una persona designada deberá leer y comentar el producto y las advertencias de seguridad en la lengua materna del operario que no hable inglés fluido, a fin de asegurarse de que comprende el contenido.

NATURALEZA DE LAS SITUACIONES DE RIESGO

⚠ ADVERTENCIA

El uso de dispositivos de bomba de pie neumática/ hidráulica se halla sujeto a ciertos riesgos que no se pueden prever por medios mecánicos, sino por la información, la diligencia y el sentido común. Por lo tanto, es esencial Si no se siguen las instrucciones, se podrían ocasionar peligros, tales como la ruptura del fluido hidráulico presurizado de las mangueras o acoplamientos, así ocasionando la pérdida de carga, la bajada no controlada o la caída de la carga. Las inclinaciones o resbalones de la carga son ocasionados mayormente por el ensamble inadecuado y la sobrecarga y se pueden dar las cargas no centradas si no se siguen las instrucciones.

FORMAS DE EVITAR LAS SITUACIONES DE RIESGO

⚠ ADVERTENCIA

- Lea, estudie, comprenda y siga todas las instrucciones antes del uso.
- Inspeccione el gato antes de cada uso. No use el gato si está dañado, modificado, en pobres condiciones o si cuenta con componentes o ferretería flojos o faltantes. Lleve a cabo las correcciones previo al uso.
- Consulte el fabricante del vehículo para el centro de equilibrio de la transmisión.
- Sujete la transmisión a la silla del gato con el sistema de restricción del anclaje provisto antes de elevar o bajar la transmisión.
- Centre la carga en la silla. Asegúrese que el montaje esté estable antes de trabajar en el vehículo.
- Soporte el motor con una base antes de desatornillar la transmisión del motor.
- Lleve puesto protección de ojos que cumpla con las normas de OSHA y ANSI Z87.1 (usuarios y espectadores).
- No use el gato más allá de su capacidad nominal. No ocasione ninguna descarga a la carga.
- Use sólo sobre una superficie dura y nivelada.
- Soporte el vehículo adecuadamente antes de comenzar las reparaciones.
- El uso de este producto está limitado a la extracción, instalación, o transporte, en la posición baja, de los estuches de transferencia o los transejes.
- No use ningún adaptador al menos que sea aprobado o provisto por K-Tool International.
- Siempre baje el gato lentamente y de forma cuidadosa.
- Este producto puede contener sustancias químicas consideradas por el Estado de California como causantes de cáncer, de malformaciones congénitas u otros daños en el sistema reproductivo. *Lávese bien las manos después de manipular el producto.*
- Hacer caso omiso a estas advertencias puede ocasionar lesiones personales potenciales y/o daños a la propiedad.

CONSECUENCIAS DE NO PREVENIR LAS SITUACIONES DE RIESGO

⚠ ADVERTENCIA

Hacer caso omiso, al no leer este manual detenidamente y de forma completa, y no comprender sus INSTRUCCIONES DE OPEARACIÓN, ADVERTENCIAS DE SEGURIDAD, INSTRUCCIONES DE MANTENIMIENTO y cumplir con ellas, y desatender los MÉTODOS PARA EVITAR LAS SITUACIONES PELIGROSAS podría ocasionar accidentes, resultando en lesiones personales serias o fatales y/o daños a la propiedad.

INSTRUCCIONES DE MONTAJE



Este símbolo indica una alerta de seguridad y se utiliza en la parte de este manual que versa sobre las INSTRUCCIONES DE MONTAJE, con el fin de advertir sobre los peligros de accidentes personales. Observe todas las instrucciones para evitar lesiones o peligros de muerte.

Consulte el desglose de partes en las páginas 5 y 6:

1. Consulte la ilustración de vista ampliada en la página 5 para identificar los componentes del gato.
2. Los ángulos de sujeción #3-7 y 3-13 deben instalarse en la placa de la silla #3-8 con los pernos #3-6, las arandelas #3-9 y las tuercas de mariposa #3-10.
3. Las cadenas #3-4 deben sujetarse a los ángulos de sujeción #3-7 según se ilustra en la ilustración de vista ampliada y sujetadas a los ángulos con los # 3-1 pernos, #3-2 arandelas, #3-3 las arandelas de seguridad y #3-5 tuercas provistas.
4. Ensamble los ganchos de cadena #3-16 a los pernos de adaptador #3-15 con las tuercas de mariposa #3-14, según se ilustra en la ilustración.
5. Sujete los pernos de adaptación #3-15 a los dos ángulos de sujeción restantes #3-13 usando las arandelas #3-12 y las tuercas #3-11.
6. El aire puede atraparse en el sistema hidráulico durante el envío y maniobra.

PARA PURGAR EL AIRE DEL SISTEMA HIDRÁULICO:

- a. Gire la perilla en la parte superior del bloque hidráulico en el sentido de las agujas del reloj hasta que esté apretado. Ahora gírela en el contrasentido de las agujas del reloj dos vueltas completas.
- b. Active la bomba de mano #1-45 aproximadamente 15 veces.
- c. la perilla en la parte superior del bloque hidráulico en el sentido de las agujas del reloj hasta que esté apretado.
- d. Active la bomba de mano hasta que el brazo de levantamiento esté elevado hasta la altura máxima. Usted debe experimentar un recorrido pleno de la bomba con cada bombeo incremental.
- e. Repita los pasos "a" al "d" hasta que se purgue todo el aire del sistema.

INSTRUCCIONES DE USO



Este símbolo indica una alerta de seguridad y se utiliza en la parte de este manual que versa sobre las INSTRUCCIONES DE USO, con el fin de advertir sobre los peligros de accidentes personales. Observe todas las instrucciones para evitar lesiones o peligros de muerte.

1. Levante el vehículo hasta la altura deseada de trabajo y soporte el vehículo de acuerdo con los procedimientos de levantamiento y soporte recomendados por parte del fabricante.
2. Coloque el gato para transmisión directamente debajo de la transmisión. Gire la perilla de la válvula de liberación completamente en el sentido de las agujas del reloj hasta que deje de girar. Bombee la manivela y el ensamble de la silla se comience a elevar. Eleve la silla hasta una altura muy cercana al centro del punto de equilibrio de la transmisión pero no toque la transmisión.
3. Afloje los cuatro pernos los que sujetan los cuatro dedos a la silla. Los dedos pueden ajustarse hacia adentro y hacia fuera para asistir en la colocación de la transmisión sobre la silla. Ahora suavemente levante la silla para que ésta soporte a la transmisión. Ajuste los cuatro dedos en su posición contra la transmisión y apriete los pernos los que sujetan los dedos a la silla. A veces son necesarios los ajustes de inclinación de la silla hacia adelante y hacia atrás colocar la transmisión adecuadamente en la silla. La colocación de inclinación de lado a lado puede ser necesario por la misma razón y puede lograrse al activar la perilla de inclinación de lado a lado.
4. Las cadenas deben jalarse para atravesar la parte del centro de equilibrio de la transmisión y deben estar sujetadas a los ganchos de cadena #3-16. Gire las tuercas de mariposa #3-14 para tensar la cadena y sujetar la transmisión a la silla #3-8.
5. Extraiga la transmisión del motor según las instrucciones en el manual de servicio del vehículo.
6. Una vez que se haya desconectada la transmisión del motor, gire lentamente la perilla de liberación del gato en el contrasentido de las agujas del reloj para asegurar que la silla y transmisión del gato no se cuelgue con ningún componente, alambre, línea de combustible debajo del vehículo. Siga a bajar el gato completamente hasta abajo.
7. Acuérdesse de sujetar la transmisión a la silla, previo a la instalación y siga las Instrucciones de instalación de fabricante del vehículo.

MANTENIMIENTO DE SEGURIDAD



Este símbolo indica una alerta de seguridad y se utiliza en la parte de este manual que versa sobre el MANTENIMIENTO DE SEGURIDAD, con el fin de advertir sobre los peligros de accidentes personales. Observe todas las instrucciones para evitar lesiones o peligros de muerte.

1. Siempre almacene las bases en un área bien protegida donde éstas no estarán expuestas a las inclemencias del tiempo, vapores corrosivos, el polvo abrasivo o cualquier otro elemento dañino. El gato deberá estar limpio de agua, nieve, arena, arenilla, aceite, grasa u otro material foráneo antes de usarse.
2. El gato se debe lubricar en forma periódica a fin de prevenir el desgaste prematuro de sus partes. Se debe aplicar grasa de uso general en todas las articulaciones, las ruedas pivotantes, el brazo elevador, los pernos pivotantes de la base de la palanca, el sistema de seguridad y las demás superficies de apoyo.
3. No será necesario rellenar ni completar el rellenado del tanque con líquido hidráulico al menos que haya una fuga externa. Una fuga externa requerirá una reparación inmediata, la cual debe ser llevada a cabo en un ambiente libre de suciedad y por parte de personal de reparación hidráulica calificada el cual sea familiarizada con este equipo.

¡IMPORTANT! A fin de prevenir daños en las juntas herméticas y fallas en el dispositivo, no use alcohol, líquido de frenos hidráulicos ni aceite de transmisión en el gato. Use aceite hidráulico para gatos, un aceite para turbinas ligero, el aceite AW ISO 32 de Chevron o AW 150 Unax de Unocal.

4. El propietario del gato es responsable de mantener sus etiquetas en buen estado de conservación. Use una solución jabonosa suave para lavar el exterior del gato, sin aplicarla a ninguna de las partes del sistema hidráulico. Comuníquese con K-Tool International por un repuesto de etiqueta si la etiqueta del su gato no es legible.
5. Verifique el gato antes de usarlo. No use el gato si alguna de sus partes está quebrada, rota, torcida o dañada, ni cuando el sistema hidráulico tenga fugas. No use el gato si presenta alteraciones o es inestable debido a piezas metálicas o partes desajustadas o faltantes. Tome las medidas de corrección apropiadas antes de usar el gato otra vez.
6. No haga ningún Intento para hacer ninguna reparación hidráulica al menos que usted sea un Individuo calificado de reparación hidráulica y que esté familiarizado con este equipo. Las reparaciones deben llevarse a cabo por parte de un centro de servicio autorizado.

DIAGNÓSTICO DE AVERÍAS

PROBLEMA: LA UNIDAD NO ELEVARÁ LA CARGA NOMINAL.

ACCÓN: Expulsa el aire del sistema hidráulico al seguir el procedimiento bajo las INSTRUCCIONES DE MONTAJE.

PROBLEMA: LA UNIDAD NO SOSTENDRÁ LA CARGA NOMINAL O SE SIENTE “ESPONJOSA” BAJO LA CARGA NOMINAL.

ACCÓN: Expulsa el aire del sistema hidráulico como indicado anteriormente.esponjoso bajo la carga.

PROBLEMA: EL EQUIPO NO LEVANTARÁ LA CARGA HASTA LA ALTURA NORMAL.

ACCÓN: Expulsa el aire del sistema hidráulico como indicado anteriormente. Revisa que los niveles de aceite no estén ni altos ni bajos.

PROBLEMA: EL MANGO TIENDE A ELEVARSE MIENTRAS QUE LA UNIDAD ESTÉ CARGADA BAJO LA CARGA NOMINAL.

ACCÓN: Sube y baja el mango rápidamente varias veces para empujar sostiene una carga. el aceite más allá de las válvulas de cojinete en el aparato de capacidad eléctrica.

PROBLEM: EL EQUIPO AÚN NO FUNCIONA.

ACCÓN: Comuníquese con su lugar de compra por los detalles de la garantía de maniobra.

EQUIPMENT PROCEDIMIENTOS Y DIRECTRICES DE MANEJO DE GARANTÍA PARA EQUIPO DE LEVANTAMIENTO

K-Tool International garantiza que todos los gatos y equipo de servicio relacionado serán libres de defectos en cuanto al material y la mano de obra se refiere por un 2 años posteriores a la fecha original de compra. Esta garantía se le extenderá sólo al comprador detallista original. Si cualquier gato o artículo relacionado con el servicio demuestra ser defectuoso durante dicho periodo, el mismo será reemplazado o reparado, a la opción de K-Tool International, sin cargos. Esta garantía no aplica a daños provenientes de accidentes, sobrecarga, mal uso o uso erróneo, ni aplica a ningún equipo el cual haya sido modificado ni usado con complementos especiales excepto los que sean recomendados. Esta garantía no cubrirá las reparaciones hechas por cualquier entidad que no sea algún Centro de Reparaciones de Equipo de Levantamiento Profesional Autorizado de K-Tool International.

Todos los HD y XD gatos o equipo relacionado con el mantenimiento serán reemplazados o reparados a la discreción de K-Tool International durante el periodo de garantía de 2 años.

Durante el periodo de garantía de 2 años, todos los productos defectuosos presuntos deben ser enviados, con el flete pre-pagado, junto con la comprobación de la fecha de compra, a su Centro de Garantías Autorizado de Equipo de Levantamiento Profesional Autorizado de K-Tool International más cercano. Asegúrese de incluir su nombre, dirección, número telefónico, junto con la información de comprobación de compra, y una breve descripción del defecto presunto. El producto le será devuelto al consumidor, con el flete pre-pagado.

Muchos de los defectuosos presuntos pueden tratarse simplemente al llamar a un Centro de Servicio de partes más cercano. Consulte las páginas 17 a 19 por una lista de centros de servicio de garantía autorizados.

En ningún caso será responsable K-Tool International por ningún daño incidental ni consecuencial. La responsabilidad de cualquier reclamo por la pérdida o daños ocasionados por la venta, re-venta o uso de un gato o equipo de servicio relacionado, no deberá de ninguna forma exceder el precio de compra. ALGUNOS ESTADOS NO PERMITEN LA EXCLUSIÓN NI LIMITACIÓN DE LOS DAÑOS INCIDENTALES NI CONSECUENCIALES, ASÍ QUE LA LIMITACIÓN ANTERIOR PUEDE NO APLICAR A USTED.

ESTA GARANTÍA ES LA ÚNICA Y EXCLUSIVA GARANTÍA BRINDADA EN CONEXIÓN CON LA VENTA DEL EQUIPO DE LEVANTAMIENTO PROFESIONAL DE K-TOOL INTERNATIONAL. TODAS LAS DEMÁS GARANTÍAS, PARA INCLUIR CUALQUIER GARANTÍA IMPLICADA O MERCANTIBILIDAD O APTITUD PARA CUALQUIER DESTINO PARTICULAR, SON EXCLUÍDAS.

ESTA GARANTÍA LE BRINDA UNOS DERECHOS LEGALES ESPECÍFICOS Y USTED PODRÁ TAMBIÉN CONTAR CON OTROS DERECHOS LOS CUALES VARÍAN DE ESTADO A ESTADO.

KTI63517

CRIC DE TRANSMISSION DE CAMION DE 1,5 TONNES

GUIDE DU PROPRIÉTAIRE



SPÉCIFICATIONS

Capacité.....	1,5 Tonnes	Largeur du châssis	26 po
Altura baja	8-5/8 po	Inclinaison de la selle longitudinalement	10° par 10°
Altura elevada.....	36-5/8 po	Inclinaison de la selle latéralement.....	+10°, 10°
Longueur.....	43-1/2 po	Poids d'expédition	350 Livres

Conforme à la Norme de Sécurité/ASME PALD-2009

INFORMATION D'AVERTISSEMENT



Ce symbole indique un danger potentiel. Il est utilisé pour avertir l'utilisateur des risques potentiels de blessures corporelles. Prière de respecter toutes les consignes de sécurité qui suivent ce symbole afin d'éviter les blessures ou la mort potentielles.

⚠ AVERTISSEMENT

AVERTISSEMENT : Ce symbole indique une situation dangereuse qui pourrait causer la mort ou des blessures graves si elle n'est pas évitée.



IMPORTANT : LIRE CES CONSIGNES AVANT L'UTILISATION.

PRIÈRE DE LIRE CES CONSIGNES ATTENTIVEMENT ET DE S'ASSURER DE BIEN COMPRENDRE LES PROCÉDURES D'UTILISATION, LES AVERTISSEMENTS DE SÉCURITÉ ET LES BESOINS EN MATIÈRE D'ENTRETIEN DE L'OUTIL AVANT DE L'UTILISER.

Le propriétaire doit s'assurer que tous les employés lisent ce manuel avant d'utiliser l'outil. Le propriétaire de l'outil doit aussi maintenir ce manuel en bon état et le ranger dans un endroit facilement accessible à tous ceux qui doivent le lire. Si le manuel ou les étiquettes du produit se perdent ou deviennent illisibles, veuillez contacter K-Tool International pour les faire remplacer. Si l'utilisateur ne parle pas couramment le français, les consignes de sécurité et le mode d'emploi de l'outil devront lui être lues à haute voix et être discutées avec l'utilisateur, dans sa langue maternelle, par le propriétaire/acheteur ou une personne désignée, afin d'assurer que l'utilisateur en comprenne bien le contenu.

LE TYPE DE SITUATIONS DANGEREUSES

⚠ AVERTISSEMENT

L'utilisation de dispositifs de levage portatifs pour automobiles expose l'utilisateur à certains dangers qui ne peuvent pas être évités par des moyens mécaniques, mais seulement en faisant preuve d'intelligence, d'attention et de bon sens. Il est donc essentiel que les propriétaires et les employés qui utiliseront ce dispositif soient prudents, compétents, qualifiés et formés à l'utilisation sécuritaire de l'équipement. Des exemples de dangers comprennent le renversement, le glissement ou la chute soudaine de la charge. Ces dangers sont principalement imputables à une charge mal répartie, une utilisation sur une surface meuble ou inclinée, ou une utilisation à des fins autres que celles pour lesquelles le dispositif a été conçu.

MÉTHODES POUR ÉVITER LES SITUATIONS DANGEREUSES

⚠ AVERTISSEMENT

- Lire, étudier et comprendre et suivre toutes les instructions avant l'utilisation.
- Inspecter le cric avant chaque utilisation. Ne pas utiliser si endommagé, altéré, modifié, en mauvaise condition ou a des composantes desserrées ou manquantes. Prendre des mesures correctives avant d'utiliser.
- Consulter le fabricant du véhicule pour le centre d'équilibre de la transmission.
- Fixer la transmission à la selle du cric à l'aide du système d'ancrage de retenue fourni avant de lever ou abaisser la transmission.
- Centrer la charge sur la selle. S'assurer que l'installation est stable avant de travailler sur le véhicule.
- Supporter le moteur avec le support avant de déboulonner la transmission du moteur.
- Portez une protection oculaire qui répond aux normes ANSI Z87.1 et de l'OSHA (utilisateur et personnes à proximité).
- Ne pas utiliser le cric au-delà de sa capacité nominale. Éviter un effet de choc sur la charge.
- Utiliser seulement sur une surface dure et de niveau.
- Supporter le véhicule adéquatement avant de débiter les réparations.
- L'utilisation de ce produit est limitée à l'enlèvement, installation et transport dans la position abaissée, de transmissions, boîtes de transfert et boîtes-ponts.
- Ne pas utiliser d'adaptateurs sauf si approuvés ou fournis par K-Tool International.
- Toujours abaisser le cric tranquillement et soigneusement.
- Ce produit peut contenir des produits chimiques reconnus par l'État de la Californie comme causant le cancer, des anomalies congénitales ou d'autres effets nuisibles sur la reproduction. *Se laver minutieusement les mains après avoir utilisé le produit.*
- Le manque d'observer ces avertissements peut avoir comme conséquence des blessures corporelles et/ou des dégâts matériels.

CONSÉQUENCES DE NE PAS ÉVITER DES SITUATIONS DANGEREUSES

AVERTISSEMENT

Le manquement de lire ce manuel complètement et avec attention et l'incompréhension des CONSIGNES D'UTILISATION, AVERTISSEMENTS DE SÉCURITÉ, INSTRUCTIONS D'ENTRETIEN et de se conformer à elles, et en négligeant les MÉTHODES POUR ÉVITER DES SITUATIONS DANGEREUSES peut causer des accidents ayant comme conséquence des blessures sérieuses ou mortelles et/ou des dégâts matériels

DIRECTIVES INSTALLATION



Voici le symbole utilisé dans la section DIRECTIVES INSTALLATION du présent manuel pour avertir du risque de blessure. Suivre toutes les directives pour éviter des blessures pouvant être graves ou mortelles.

Reportez-vous à la nomenclature des pièces aux pages 5 et 6 :

1. Référez-vous au schéma de vue éclatée à la page 5 pour identifier les composants du vérin.
2. Le no 3-7 les 3-13 angles de rétention doivent être installés dans la plaque de la selle no 3-8 avec les boulons no 3-6, les rondelles no 3-9 et les écrous papillons no 3-10.
3. Les chaînes no 3-4 doivent être attachées aux angles de rétention no 3-7 suivant les indications du schéma de vue éclatée et doivent être fixées aux angles avec #3-1 les boulons, # 3-2 les rondelles, #3-3 les rondelles frein et #3-5 les écrous fournis.
4. Assemblez les crochets à chaînes no 3-16 aux boulons de l'adaptateur no 3-15 avec les écrous papillons #3-14 suivant les indications du schéma.
5. Fixez les boulons de l'adaptateur no 3-15 aux deux angles de rétention restante no 3-13 à l'aide des rondelles no 3-12 et des écrous no 3-11.
6. L'air peut être emprisonné dans le circuit hydraulique pendant le chargement et la manipulation.

PURGER L'AIR DU SYSTÈME HYDRAULIQUE :

- a. Tournez le bouton sur le dessus du bloc hydraulique dans le sens horaire jusqu'à ce qu'il soit serré. Ensuite, tourner deux fois contre le sens de l'aiguille d'une montre.
 - b. Activez la pompe à main no 1-45 environ 15 fois.
 - c. Tournez le bouton sur le dessus du bloc hydraulique dans le sens horaire jusqu'à ce qu'il soit serré.
 - d. Activez la pompe à main jusqu'à ce que le bras de levage soit levé à la hauteur maximum. Vous devriez éprouver une pleine course de pompe avec chaque incrément du bras de levage.
 - e. Répéter les étapes de 'a' à 'd' jusqu'à ce que l'air soit purgé du système.
-

DIRECTIVES D'UTILISATION



Voici le symbole utilisé dans la section DIRECTIVES D'UTILISATION du présent manuel pour avertir du risque de blessure. Suivre toutes les directives pour éviter des blessures pouvant être graves ou mortelles.

1. Soulevez le véhicule à la hauteur de travail désirée et soutenez le véhicule selon les procédures de levage et de support recommandées par le fabricant du vérin.
2. Positionnez le vérin de transmission directement sous la transmission. Tournez le bouton de la soupape de relâchement dans le sens horaire jusqu'à ce qu'il s'arrête. Pompez la poignée et la selle commencera se soulever. Soulevez la selle très près du centre du point d'équilibre de la transmission, mais ne touchez pas la transmission.
3. Desserrer les quatre boulons qui maintiennent les doigts sur la selle. Déplacer les doigts vers l'intérieur ou l'extérieur pour positionner la transmission sur la selle. Soulevez maintenant doucement la selle jusqu'à ce qu'elle soutienne la transmission. Positionner les quatre doigts contre la transmission, puis serrer les boulons qui retiennent les doigts à la selle. Des ajustements d'inclinaison longitudinale de selle sont parfois nécessaires afin de positionner correctement la transmission sur la selle. Le positionnement d'inclinaison latéral peut être nécessaire pour la même raison et peut être accompli en activant le bouton d'inclinaison latéral.
4. Les chaînes devraient être tirées par-dessus la portion du centre d'équilibre de la transmission et être fixées sur les crochets à chaînes #3-16. Tournez les écrous papillons #3-14 afin de prendre le mou dans la chaîne et pour fixer la transmission à la selle #3-8.
5. Enlevez la transmission du moteur selon des instructions du manuel de réparation du véhicule.
6. Une fois que la transmission a été démontée du moteur, tournez très lentement le bouton de relâchement du vérin dans le sens antihoraire afin de s'assurer que la selle du vérin et la transmission n'accrochent pas sur aucun des composants sous le véhicule, câblage, lignes de carburant, etc. Continuez à abaisser le vérin jusqu'en bas.
7. Souvenez-vous de fixer la transmission à la selle avant l'installation et de suivre les instructions du fabricant du véhicule.

ENTRETIEN PRÉVENTIF



Voici le symbole utilisé pour dans la section ENTRETIEN PRÉVENTIF du présent manuel pour avertir du risque de blessure. Suivre toutes les directives pour éviter des blessures pouvant être graves ou mortelles.

1. Toujours entreposer le grúa dans un endroit où il sera protégé des intempéries, des vapeurs corrosives, de la poussière abrasive ou d'autres éléments nocifs. Le cric doit être exempt d'eau, de neige, de sable, de gravier, d'huile, de graisse ou autre matériel étranger, avant d'utiliser.
2. Le cric doit être lubrifié périodiquement afin d'empêcher le port prématuré des pièces. Une graisse d'usage universel doit être appliquée à tous garnitures de graisse de zerk, roues de roulette, bras d'ascenseur, boulons bas de pivot de poignée, mécanisme de déclenchement et toutes autres surfaces d'appui.
3. À moins d'une fuite, il ne devrait pas être nécessaire de remplir le réservoir de liquide hydraulique. Toute fuite doit être immédiatement réparée dans un environnement sans poussière par un technicien qualifié en réparation de composantes hydrauliques et familier avec ce type d'équipement.

IMPORTANT: Pour éviter des endommagements au joint et une défaillance du cric, ne jamais utiliser d'alcool, de liquide de frein hydraulique ou de l'huile de transmission dans le cric. Utiliser l'huile hydraulique Utilisez de l'huile de cric hydraulique, une huile à turbine légère, Chevron AW ISO 32 ou Unocal Unax AW 150.

4. Chaque propriétaire est responsable de maintenir l'étiquette du vérin propre et lisible. Utiliser une solution de savon doux pour laver les surfaces externes du cric, mais aucune composante hydraulique mobile. Veuillez contacter K-Tool International pour une étiquette de rechange si votre étiquette de vérin est illisible.
5. Inspectez le vérin de levage avant chaque utilisation. N'utilisez pas le vérin si n'importe quel composant est fissuré, cassé, plié ou présente des signes de dommages ou des fuites d'air. N'utilisez pas le vérin s'il y a des composants ou de la quincaillerie manquants ou desserrés, ou est modifié de quelques façons. Faites les correctifs nécessaires avant d'utiliser de nouveau le vérin.
6. N'essayez pas de réparer le système hydraulique à moins que vous soyez une personne qualifiée dans ce domaine et familiarisée avec cet équipement. Les réparations doivent être exécutées par un centre de service autorisé.

DÉPANNAGE

PROBLÈME : L'UNITÉ NE SOULÈVE PAS LA CHARGE PRESCRITE.

ACTION : Purger l'air du système hydraulique en suivant la DIRECTIVES INSTALLATION.

PROBLEM : L'UNITÉ DE SOUTIEN PAS LA CHARGE PRESCRITE OU SEMBLE « SPONGIEUSE » SOUS LA CHARGE PRESCRITE.

ACTION : Purger l'air du système hydraulique comme mentionné ci-dessus.

PROBLÈME : L'UNITÉ NE LÈVERA PAS À HAUTEUR COMPLÈTE.

ACTION: Purger l'air du système hydraulique comme mentionné ci-dessus ou vérifier le niveau de l'huile dans le réservoir.

PROBLÈME : LA POIGNÉE TEND À S'ÉLEVER PENDANT QUE L'UNITÉ EST SOUS LA CHARGE PRESCRITE.

ACTION : Pompez la poignée rapidement plusieurs fois de pousser l'huile après des robinets à tournant sphérique dans l'unité de puissance.

PROBLÈME : L'UNITÉ NE FONCTIONNE TOUJOURS PAS.

ACTION : Communiquez avec l'endroit où l'achat a été effectué pour des détails sur la gestion de la garantie.

PROCÉDURES ET DIRECTIVES DE TRAITEMENT AU TITRE DE LA GARANTIE POUR L'ÉQUIPEMENT DE LEVAGE HD ET XD

K-Tool International garantit que tous les crics et équipements de service reliés seront exempts de défauts dans le matériel et la main-d'œuvre, pendant une période de 2 ans, suivant la date d'achat originale. Cette garantie n'est étendue qu'à l'acheteur original au détail. Si tout cric ou élément de service relié est défectueux pendant cette période, il sera remplacé ou réparé sans frais, selon l'option de K-Tool International. Cette garantie ne s'applique pas aux dommages d'accident, de surcharge, mauvaise utilisation ou abus et elle ne s'applique pas non plus à tout équipement qui a été modifié ou utilisé avec des fixations particulières, autres que celles recommandées. Cette garantie ne couvre pas les réparations effectuées par quiconque n'étant pas un Centre de service autorisé de l'équipement de levage professionnel K-Tool International.

Tous les HD et XD crics ou équipements de service reliés seront remplacés ou réparés, selon l'option de K-Tool International, pendant la période de garantie de 2 ans.

Pendant la période de garantie de 2 ans, tous les produits prétendus défectueux doivent être expédiés, frais de transport prépayés, avec la preuve de la date d'achat, à votre Centre professionnel autorisé de garantie d'équipement de levage K-Tool International. Assurez-vous d'inclure votre nom, adresse et numéro de téléphone avec l'information de preuve d'achat et une brève description du défaut prétendu. Le produit sera retourné au client, frais de transport prépayés.

Plusieurs défauts prétendus peuvent simplement être gérés en appelant votre Centre de service pour des pièces. Voir les pages 17 - 19 pour la liste des centres de service autorisés au titre de la garantie.

En aucun cas, K-Tool International ne sera responsable des dommages indirects ou consécutifs. La responsabilité de toute réclamation pour perte ou dommage découlant de la vente, revente ou utilisation d'un cric ou de l'équipement de service relié, ne devra en aucun cas dépasser le prix d'achat. CERTAINES JURIDICTIONS NE PERMETTENT PAS L'EXCLUSION OU LA LIMITATION DE RESPONSABILITÉ POUR LES DOMMAGES INDIRECTS OU CONSÉCUTIFS, LA LIMITATION CI-DESSUS PEUT NE PAS VOUS CONCERNER.

CETTE GARANTIE EST LA SEULE GARANTIE EXCLUSIVE FOURNIE EN LIEN AVEC LA VENTE D'UN ÉQUIPEMENT DE LEVAGE PROFESSIONNEL K-TOOL INTERNATIONAL. TOUTES LES AUTRES GARANTIES, Y COMPRIS TOUTE GARANTIE IMPLICITE DE QUALITÉ MARCHANDE OU D'ADÉQUATION À UN USAGE PARTICULIER, SONT EXCLUES.

CETTE GARANTIE VOUS DONNE DES DROITS JURIDIQUES PRÉCIS ET VOUS POUVEZ AUSSI AVOIR D'AUTRES DROITS QUI PEUVENT VARIER D'UN ÉTAT (OU D'UNE PROVINCE) À L'AUTRE.

**LIST OF AUTHORIZED WARRANTY SERVICE CENTERS / LISTA DE CENTROS DE SERVICIO
AUTORIZADOS / LISTE DES CENTRES DE SERVICE AUTORISÉS AU TITRE DE LA GARANTIE :**

ALABAMA

SOUTHEASTERN JACK • 500 4TH AVENUE NORTH • BIRMINGHAM, AL 35204 • (205) 252-1511

ARIZONA

TIRE EQUIPEMENT SERVICE • 4002 E. ELWOOD ST., STE. 4. • PHEONIX, AR 85040 • (602) 437-0499

ARKANSAS

CLARKS HYDRAULIC SERVICE • 2901 CONFEDERATE BLVD. • LITTLE ROCK, AR 72206 • (501) 375-1252

CALIFORNIA

JACK-X-CHANGE • 1609 N. ORANGETHORPE WAY • ANAHEIM, CA 92801 • (714) 871-4966

J-MRK'S T.E.A.M REPAIR • 945 RAMONA AVE. • SPRING VALLEY, CA 91977 • (619) 469-6275

EGGIMAN'S HYDRAULIC GARAGE • 1112 E. HARDING WAY • STOCKTON, CA 95205 • (209) 465-2870

AAA HYDRAULICS • 511A HARBOR BLVD. • W. SACRAMENTO, CA 95691 • (916) 617-2656

CT&S • 1805 E. MAIN ST., STE. E • VISALIA, CA 93292 • (559) 623-2157

COLORADO

WILLIAM'S SALES & SERVICE • 11380 W. EXPOSITION AVE. • LAKEWOOD, CO 80226 • (303) 985-8868

CONNECTICUT

TOOL & EQUIP SERV SOLUTIONS • 2554 STATE ST. • HAMDEN, CT 06517 • (203) 248-7553

FLORIDA

P & H HYDRAULICS • 6530 TRIKEY ST. • JACKSONVILLE, FL 32219 • (904) 781-3558

TRI-CITY HYDRAULICS • 4628 N. FLORIDA AVE. • TAMPA, FL 33603 • (813) 232-1280

J. R. JACK & EQUIP REPAIR • 4513 CLEMENTS RD. • LAKELAND, FL 33811 • (863) 646-8087

R & R TOOL REPAIR • 13591 LINDEN DR. • SPRING HILL, FL 34609 • (352) 263-3587

STIRLING JACK SERVICE • 2110 S.W. 56TH AVE. • WEST PARK, FL 33023 • (954) 987-6910

GEORGIA

INDUSTRIAL CONTROLS • 1710 EASTMAN DR. • TIFTON, GA 31793 • (229) 386-2929

BOB'S HYDRAULIC REPAIR • #8 BROWN FOX DR. • ROME, GA 30165 • (706) 234-4471

TOOL SERVICE CO. • 178 MARBLE MILL RD. • MARIETTA, GA 30060 • (404) 524-4249

HAWAII

C & C AIR & HYDRAULICS • 94-148 LEOWAENA ST. BLDG.T • WAIPAHU, HI 96797 • (808) 671-8598

ILLINOIS

PRO-POINT CO. • 5328 GRAND AVE. • DOWNERS GROVE, IL 60515 • (630) 852-7233

HYDRAULIC SPECIALTY, INC. • 1300 WEST ELM ST. • WEST FRANKFORT, IL 62896 • (618) 937-4099

INDIANA

ABC SPECIALTY CO. • 1075 KENWOOD AVE. • FORT WAYNE, IN 46805 • (260) 483-8913

TOOLS & EQUIPMENT SERVICE • 6718 EAST 38TH ST. • INDIANAPOLIS, IN 46226 • (317) 632-2208

B&K HYDRAULICS • 2184 S. SALEM RD. • MONROE, IN 46772 • (260) 592-7122

IOWA

HYDRA QUIP • 3400 DELAWARE AVE. • DES MOINES, IA 50313 • (515) 265-1453

BROZENE HYDRAULICS • 1400 MT. PLEASANT • BURLINGTON, IA 52601 • (319) 752-4017

KANSAS

ACME HYDRAULICS • 815 KANSAS AVE. • KANSAS CITY, KS 66105 • (913) 321-6385

KENTUCKY

PEMBERTON TOOL REPAIR • 822 EXETER AVE. • MIDDLESBORO, KY 40965 • (606) 248-7907

LOUISIANA

EAGLE SERVICE COMPANY • 2224 LEE ST. • ALEXANDRIA, LA 71301 • (318) 445-6140

MAINE

B & M HYDRAULIC JACK REPAIR • 576 MAIN ST. • MADAWASKA, ME 04756 • (207) 728-6713

MARYLAND

HYDRAULIC SERVICE, INC • 3304 BARCLAY ST. • BALTIMORE, MD 21218 • (410) 467-9459

MASSACHUSETTS

BOSTON HYDRAULICS • 1601 COLUMBUS AVE., BOX 190744 • BOSTON, MA 02119 • (617) 427-2200

MICHIGAN

GRAND VALLEY HYDRAULICS • 6703 18TH AVE., STE. G • JENISON, MI 49428 • (616) 662-1992
HYDRAULICS UNLIMITED • 2091 SOUTH HURON RD. • KAWKAWLIN, MI 48631 • (989) 686-3594
KIRK'S AUTOMOTIVE • 9330 ROSELAWN ST. • DETROIT, MI 48204 • (313) 933-7030
K-TOOL INTERNATIONAL • 31133 WIXOM RD. • WIXOM, MI 48393 • (800) 762-6002, ext. 4149
• www.ktoolinternational.com • Support@Ktoolinternational.com

MINNESOTA

TOOL WAREHOUSE INC. • 9 LINCOLN AVE. S.E. • ST. CLOUD, MN 56304 • (320) 253-7150
TOOL WAREHOUSE INC • 3410 EAST 42ND ST. • MINNEAPOLIS, MN 55406 • (612) 722-4260

MISSISSIPPI

M & W HYDRAULIC • 4626 VAN WINKLE PARK DR. • JACKSON, MS 39209 • (601) 922-4418

MISSOURI

ARROW HYDRAULICS • 5231 MANCHESTER RD. • ST. LOUIS, MO 63110 • (314) 371-2358
A & B ELECTRIC CO. • 32553 WEST 119TH ST. • EXCELSOR SPRINGS, MO 64024 • (816) 630-8359
TOOL SERVICE CENTER • 2431 RAYMOND DR. • ST. CHARLES, MO 63301 • (636) 940-2525
HEARTLAND PNEUMATICS • 3527-C PERRYVILLE RD. • CAPE GIRARDEAU, MO 63701 • (573) 334-9085

MONTANA

NORTHERN HYDRAULICS • 2600 17TH ST. NE • BLACK EAGLE, MT 59414 • (406) 761-8079

NEBRASKA

FLOHR ELECTRIC SERVICE • 4356 SO. 90TH ST. • OMAHA, NE 68127 • (402) 331-6863

NEW HAMPSHIRE

AMERICAN HYDRAULIC CORP. • 1064 GOFFS FALLS RD. • MANCHESTER, NH 03108 • (603) 623-5444

NEW JERSEY

COUGAR ELECTRONICS • 622 BROADWAY • LONG BRANCH, NJ 07740 • (732) 870-3302
METRO HYDRAULIC JACK • 1271 MC CARTER HIGHWAY • NEWARK, NJ 07104 • (973) 350-0111

NEW MEXICO

A-ONE EQUIPMENT LTD. • 1108 RHODE ISLAND N.E. • ALBUQUERQUE, NM 87108 • (505) 256-0074

NEW YORK

ACE HYDRAULIC SERVICE • 6720 VIP PARKWAY • SYRACUSE, NY 13211 • (315) 454-8989
HYDRAULIC JACK/CYLINDER REPAIR • 13457 GENESEE ST. • ALDEN, NY 14004 • (716) 937-6008
AUTOMATIC REPAIR • 130 FLORIDA ST. • FARMINGDALE, NY 11735 • (631) 420-0103

NORTH CAROLINA

SOUTHERN HYDRAULIC SERVICE • 6914 STATESVILLE RD. • CHARLOTTE, NC 28269 • (704) 597-9244
CAROLINA TOOL REPAIR • 807 HUFFMAN ST. • GREENSBORO, NC 27405 • (336) 275-6124

NORTH DAKOTA

TOOL WAREHOUSE INC. • 127 WEST MAIN AVE. • WEST FARGO, ND 58078 • (701) 282-6151

OHIO

MATS EQUIPMENT CO. INC. • 51 PIERCE AVE. • WEST CARROLLTON, OH 45449 • (937) 859-8057
DINGER'S TOOL SERVICE • 22540 STIVERSON RD. • SUGAR GROVE, OH 43155 • (740) 746-0240
A & A HYDRAULIC REPAIR • 5301 W. 161ST ST. • CLEVELAND, OH 44142 • (216) 362-4000

OKLAHOMA

HYDRAULIC EQUIPMENT CO. • 2800 WEST CALIFORNIA, STE. A • OKLAHOMA CITY, OK 73107 • (405) 235-3318

OREGON

KARN REPAIR SERVICE • 1800 N.W. 169TH PLACE, STE. D300 • BEAVERTON, OR 97006 • (503) 690-9500

PENNSYLVANIA

HYDRAULIC IND. SUPPLY • HOLLY & MADISON AVE. BLDG #1 • CLIFTON HEIGHTS, PA 19018 • (610) 284-2100
HUMPHREY'S HYDRAULICS • 2214 HUCKLEBERRY RD. • ALLENTOWN, PA 18104 • (610) 435-9287

SOUTH CAROLINA

AIR & HYDRAULIC SERVICE • 315 HAWKINS RD. • TRAVELERS REST, SC 29690 • (866) 867-5359

SOUTH DAKOTA

ALL-AROUND AUTO LLC • 105 ZIEBACH ST. • BELLE FOURCHE, SD 57717 • (605) 723-6272

TENNESSEE

AUTHORIZED EQUIPMENT SERVICE • 812 POLK AVE. • MEMPHIS, TN 38126 • (901) 774-0850
LUBRICATION EQUIPMENT • 2501 MITCHELL ST. • KNOXVILLE, TN 37917 • (865) 525-8401

TEXAS

AAA PNEUMATICS & SUPPLY • 907 EDEN ROC ST. • VICTORIA, TX 77904 • (361) 573-9920
STAR HYDRAULIC & TOOL SERVICE • 7012 LONG POINT • HOUSTON, TX 77055 • (713) 681-4105
VMW MAINTENANCE SOLUTIONS • 2328 BLANCO RD. • SAN ANTONIO, TX 78212 • (210) 736-4285
HYDRAULIC SERVICE & SUPPLY • 100 HOWELL ST. • DALLAS, TX 75207 • (214) 748-6015
WATCO EQUIPMENT SERVICES • 6005 MILWEE ST., STE. 706 • HOUSTON, TX 77092 • (713) 290-9033

UTAH

GUSTIN HYDRAULIC • 151 W. 2125 SOUTH • SALT LAKE CITY, UT 84115 • (801) 487-0624

VIRGINIA

JACK-MAN • 110 ANN ST. • MADISON HEIGHTS, VA 24572 • (434) 847-6963
HYDRAULIC SERVICE COMPANY • 3215 VICTORY BLVD. • PORTSMOUTH, VA 23702 • (757) 487-2513
SARVERS HYDRAULICS • 2550 JOHNSON AVE. • ROANOKE, VA 24017 • (540) 344-0799

WASHINGTON

SPOKANE PUMP • 3626 E. TRENT AVE. • SPOKANE, WA 99202 • (509) 535-9771
UNIVERSAL REPAIR • 1611 BOYLSTON AVE. • SEATTLE, WA 98122 • (206) 322-2726

WEST VIRGINIA

GILLETTE REPAIR SERVICE • ROUTE 8, BOX 128-A • FAIRMONT, WV 26554 • (304) 366-3119

WISCONSIN

AFI DIRECT SERVICES • 7515 S. 10TH ST. • OAK CREEK, WI 53154 • (414) 764-1160

CANADA**ALBERTA**

PRECISION HYDRAULICS • 940-48 AVE. SE • CALGARY, ALBERTA T2G 5B1 • (403) 243-5997
DAN'S POWER TOOL REPAIR • 8149 WAGNER RD. NE • EDMONTON, ALBERTA T6E 4N6 • (780) 490-1955 OR (780) 490-1956

BRITISH COLUMBIA

RAMTORC TOOLS, INC. • 160-11960 HAMMERSMITH WAY • RICHMOND, BRITISH COLUMBIA V7A 5C9 • (604) 271-3220

MANITOBA

ACCUTOOL SERVICE • 465 LUCAS AVE. • WINNEPEG, MANITOBA R3C 2E6 • (204) 772-6523

ONTARIO

MONARCH REBUILDING, INC. • 97 BESSEMER RD. UNIT 5 • LONDON, ONTARIO N6E 1P9 • (519) 681-5640

QUEBEC

INSTRUMENT SALES & SERVICE • 6059 DE MAISONNEUVE BLVD. • W. MONTREAL, QC H4A 3R8 • (514) 481-8111
MINI HYDRAULIQUE INC. • 2732 RUE DE LA FAUNE • QUEBEC, QC G3E 1H4 • (418) 843-6177
MR. TANGUAY & FILS • 1110 CROISSANT CLAIRE • LACHINE, QUEBEC H8S 1A1 • (514) 933-8073 OR (514) 639-8825
