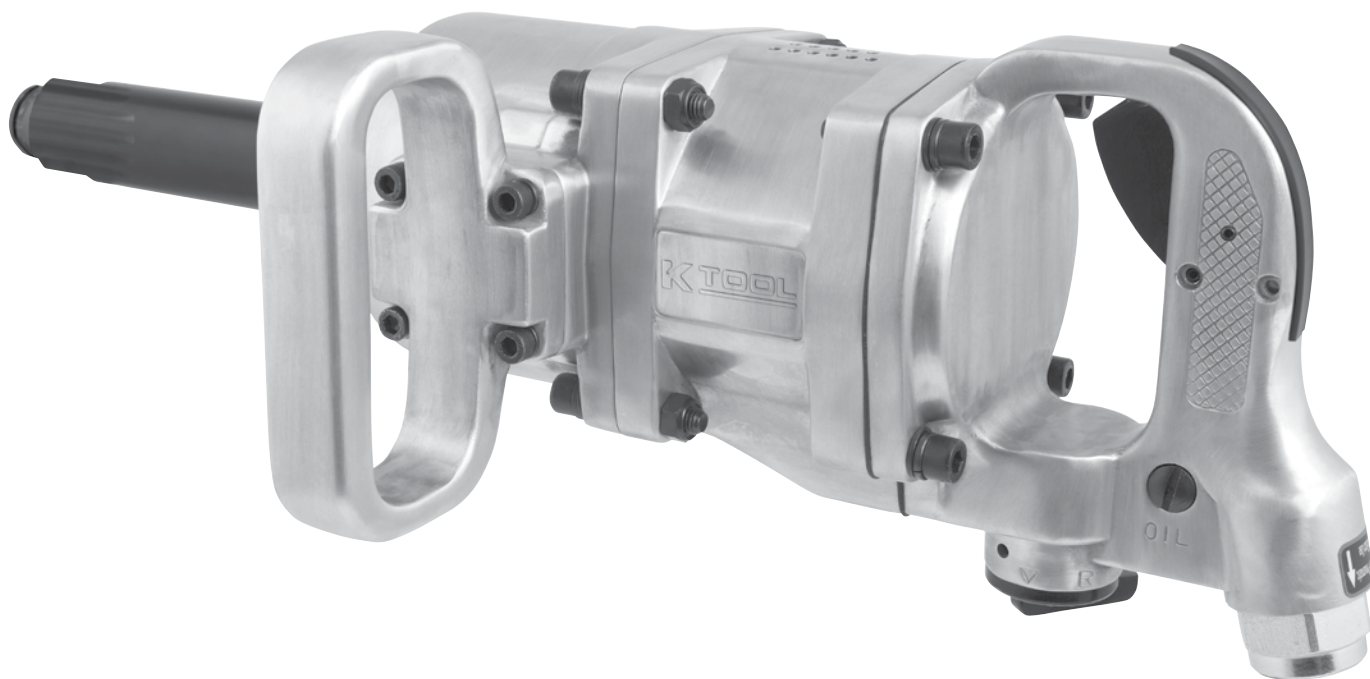




KTI-81798S

#5 SPLINE DRIVE IMPACT WRENCH WITH 6" EXTENDED ANVIL

OWNERS MANUAL



⚠ WARNING    

- ALWAYS READ INSTRUCTIONS BEFORE USING POWER TOOLS
- ALWAYS WEAR APPROVED SAFETY GOGGLES AND HEARING PROTECTION
- AVOID PROLONGED EXPOSURE TO VIBRATION

⚠ WARNING

Some dust created by power sanding, sawing, grinding, drilling, and other construction activities contains chemicals known to cause cancer, birth defects or other reproductive harm. Some examples of these chemicals are:

- lead from lead-based paints,
- crystalline silica from bricks, cement and other masonry products, and
- arsenic and chromium from chemically-treated lumber.

The risk of exposure to these types of chemicals varies depending on how frequently you work with certain chemicals. To reduce your exposure to these chemicals, work in a well-ventilated area and work with approved safety equipment, such as dust masks that are specifically designed to filter out microscopic particles.

SPECIFICATIONS	
Drive Size.....	#5 Spline
Max. Torque	1,600 Ft.-Lbs. (2,169 Nm)
Working Torque.....	100-1,200 Ft.-Lbs. (136-1627 Nm)
Free Speed	4,000 RPM
Avg. Air. Cons.	10 cfm (283 l/min)
Air Inlet	1/2" NPT
Min. Hose Size	1/2" I.D. (12.7mm)
Length.....	22.5" (571.5mm)
Weight.....	26.2 Lbs. (11.9 kg)

! WARNING

FAILURE TO OBSERVE THESE WARNINGS COULD RESULT IN INJURY.

THIS INSTRUCTION MANUAL CONTAINS IMPORTANT SAFETY INFORMATION. READ THIS INSTRUCTION MANUAL CAREFULLY AND UNDERSTAND ALL INFORMATION BEFORE OPERATING THIS TOOL.



- Read and understand all instructions. Failure to follow all instructions listed below, may result in electric shock, fire, explosion and/or serious personal injury. It is the responsibility of the owner to make sure all personnel read this manual prior to using the tool. It is also the responsibility of the tool owner to keep this manual intact and in a convenient location for all to see and read. If the manual or product labels are lost or not legible, contact K-Tool International for replacements. If the operator is not fluent in English, the product and safety instructions shall be read and discussed with the operator in the operator's native language by the purchaser/owner or his designee, making sure that the operator comprehends its contents.

- Always operate, inspect and maintain this tool in accordance with American National Standards Institute Safety Code of Portable Air Tools (ANSI B186.1) and any other applicable safety codes and regulations.

- For safety, top performance and maximum durability of parts, operate this tool at 90 psig; 6.2 bar max air pressure with 1/2" diameter air supply hose.



- Always wear impact-resistant eye protection when operating or performing maintenance on this tool (user & bystanders).



- Always wear hearing protection when using this tool. High sound levels can cause permanent hearing loss. Use hearing protection as recommended by your employer or OSHA regulation (user & bystanders).

- Keep out of reach of children.

- Keep the tool in efficient operating condition.

- Operators and maintenance personnel must be physically able to handle the bulk, weight and power of this tool.



- Air powered tools can vibrate in use. Vibration, repetitive motions or uncomfortable positions over extended periods of time may be harmful to your hands and arms. Discontinue use of tool if discomfort, tingling feeling or pain occurs. Seek medical advice before resuming use.

- Air under pressure can cause severe injury. Never direct air at yourself or others. Always turn off the air supply, drain hose of air pressure and detach tool from air supply before installing, removing or adjusting any accessory on this tool, or before performing any maintenance on this tool. Failure to do so could result in injury. Whip hoses can cause serious injury. Always check for damaged, frayed or loose hoses and fittings, and replace immediately. Do not use quick detach couplings at tool. See instructions for correct set-up.



- Slipping, tripping and/or falling while operating air tools can be a major cause of serious injury or death. Be aware of excess hose left on the walking or work surface.



- Keep body working stance balanced and firm. Do not overreach when operating the tool.

- Place the tool on the work before starting the tool. Do not point or indulge in any horseplay with this tool.

- Anticipate and be alert for sudden changes in motion

during start up and operation of any power tool.

- Do not carry tool by the hose. Protect the hose from sharp objects and heat.
- Tool shaft may continue to rotate briefly after throttle is released. Avoid direct contact with accessories during and after use. Gloves will reduce the risk of cuts or burns
- Keep away from rotating end of tool. Do not wear jewelry or loose clothing. Secure long hair. Scalping can occur if hair is not kept away from tool and accessories. Choking can occur if neckwear is not kept away from tool and accessories.
- Use accessories recommended by K-Tool International.
- **Use only impact wrench sockets and accessories on this tool. Do not use hand sockets and accessories.**
- Impact wrenches are not torque control devices. Fasteners with specific torque requirements must be checked with suitable torque measuring devices after installation with an impact wrench.
- This tool is not insulated against electric shock.
- Note direction of rotation BEFORE operating this tool.
- Do not lubricate tools with flammable or volatile liquids such as kerosene, diesel or jet fuel.
- This tool must not be used in explosive atmospheres.
- Servicing and repairs should only be made by an authorized service center.
- Do not use (or modify) the tool for any other purpose than that for which it was designed without consulting the manufacturer's authorized representative.
- Do not force tool beyond its rated capacity.
- Do not remove any labels. Replace damaged labels.
- This product may contain one or more chemicals known to the State of California to cause cancer and birth defects or other reproductive harm. *Wash hands thoroughly after handling.*
- Failure to heed these warnings may result in serious or fatal personal injury and/or property damage.



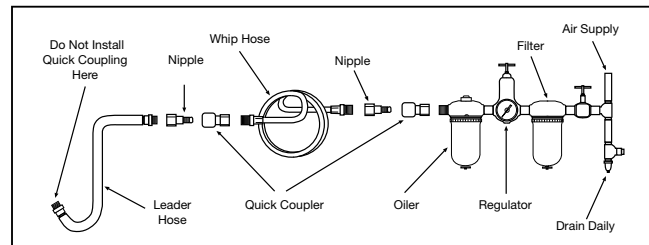
AIR SUPPLY

Tools operate on a wide range of air pressures. It is recommended that air pressure measures 90 psig at the tool with the trigger fully depressed and no load applied to the tool. Higher pressure (over 90 psig; 6.2 bar) raises performance beyond the rated capacity of the tool, which will shorten tool life and could cause injury.

Always use clean, dry air. Dust, corrosive fumes, and/or water in the air line will cause damage to the tool. Drain water from air lines and compressor prior to running tool. Clean the air inlet filter screen weekly. The recommended hookup procedure can be viewed in the below figure.

The air inlet used for connecting air supply, has standard 1/2" NPT American Thread. Line pressure should be increased to compensate for unusually long air hoses (over 25 feet). Minimum hose diameter should be 1/2" I.D. Fittings should have the same inside dimensions and should be tightly secured.

Ensure an accessible emergency shut off valve has been installed in the air supply line and make others aware of its location.



LUBRICATION

Lubricate the air motor daily with high quality air tool oil. If no air line oiler is used, run 1/2 oz. of oil through the tool. The oil can be squirted into the tool air inlet or into the hose at the nearest connection to the air supply, then run the tool. A rust inhibitive oil is acceptable for air tools.

⚠WARNING After an air tool has been lubricated, oil will discharge through the exhaust port during the first few seconds of operation. The exhaust port must be covered with a towel before applying air pressure to prevent serious injury.

TROUBLESHOOTING

Other factors outside the tool may cause loss of power or erratic action. Reduced compressor output, excessive drain on the air line, moisture or restrictions in air pipes or the use of hose connections of improper size or poor conditions may reduce air supply. Grit or gum deposits in the tool may cut power and may be corrected by cleaning the air strainer and flushing out the tool with gum solvent oil or an equal mixture of SAE #10 and kerosene. If outside conditions are in order, disconnect tool from hose and take tool to your nearest authorized service center.

OPERATION

This tool is an impacting tool and not a torque meter. When specific torque is required, it must be checked with a torque meter after fitting the fastener with the Impact.

If a fastener does not move within five seconds, use a larger size Impact. Do not use Impact Wrench beyond rated capacity, as this can drastically reduce the tool life.

NOTE: During operation, safety goggles must always be worn to guard against flying debris (users & bystanders).

Always turn off the air supply, drain hose of air pressure and detach tool from air supply before installing, removing or adjusting any part or accessory on this tool, or before performing any maintenance on this tool.

NOTE: Actual torque on a fastener is directly related to joint hardness, tool speed, condition of socket and the time the tool is allowed to impact.

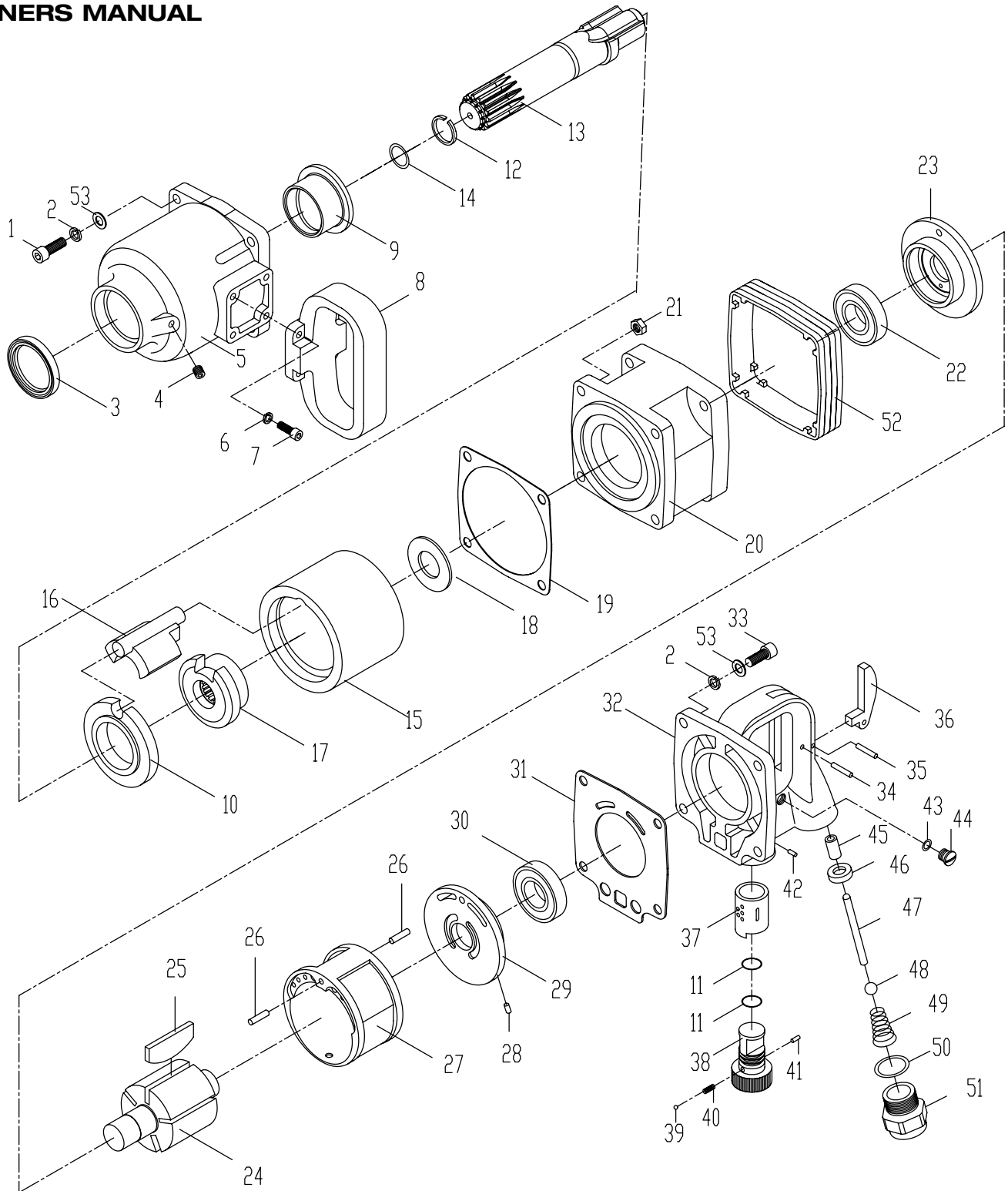
Use the simplest possible tool-to-socket hook up. Every connection absorbs energy and reduces power.



KTI-81798S

#5 SPLINE DRIVE IMPACT WRENCH WITH 6" EXTENDED ANVIL

OWNERS MANUAL





KTI-81798S

#5 SPLINE DRIVE IMPACT WRENCH WITH 6" EXTENDED ANVIL

OWNERS MANUAL

REF. NO.	PART NO.	DESCRIPTION	QTY.
1	KTP81798A01	Screw (M8x35)	4
2	KTP81798A02	Lock Washer (8)	8
3		Oil Seal (Incl. w/ #5)	1
4	KTP81798A04	Hex Socket Head Set Screw (M8x6)	1
5	KTP81798A05	Front Casing Assy. (Incl. #3, 5, 9)	1
6	KTP81798A06	Lock Washer (6)	4
7	KTP81798A07	Hex Socket Cap Screw (M6x20)	4
8	KTP81798A08	Side Handle	1
9		Anvil Bushing (Incl. w/ #5)	1
10	KTP81798A10	Front Washer	1
11	KTP81798A11	O-Ring	1
12	KTP81798S12	Retainer Ring (included w/#13)	1
13	KTP81798S13	6" Extended #5 Spline Anvil (Incl. #12-14)	1
14	KTP81798S14	O-Ring (included w/#13)	1
15	KTP81798A15	Hammer Cage	1
16	KTP81798A16	Hammer	1
17	KTP81798A17	Hammer Cam	1
18	KTP81798A18	Spacer	1
19	KTP81798A19	Front Cylinder Gasket	1
20	KTP81798A20	Motor Housing Assy. (Incl. #20, 22, 23, 26, 27)	1
21	KTP81798A21	All-Metal Locking Nut (M8)	4
22		Bearing (Incl. w/ #20)	1
23		Front Plate (Incl. w/ #20)	1
24	KTP81798A24	Rotor	1
25	KTP81798A25	Rotor Blade (pack of 5)	1
26		Spring-type Straight Pin (Incl. w/ #20)	2
27		Cylinder (Incl. w/ #20)	1

REF. NO.	PART NO.	DESCRIPTION	QTY.
28	KTP81798A28	Spring-type Straight Pin	1
29	KTP81798A29	Rear Plate	1
30	KTP81798A30	Bearing	1
31	KTP81798A31	Rear Cylinder Gasket	1
32	KTP81798A32	Rear Casing Assy. (Incl. #32, 37, 45, 46)	1
33	KTP81798A33	Hex Socket Cap Screw	4
34	KTP81798A34	Spring-type Straight Pin (4 x 22)	1
35	KTP81798A35	Spring-type Straight Pin (4 x 24)	1
36	KTP81798A36	Trigger	1
37		Reverse Valve Bushing (Incl. w/ #32)	1
38	KTP81798A38	Reverse Valve Assembly (Incl. #38-41)	1
39		Steel Ball (Incl. w/ #38)	1
40		Spring (Incl. w/ #38)	1
41		Spring-type Straight Pin (Incl. w/ #38)	1
42	KTP81798A42	Spring-type Straight Pin (4 x 28)	1
43	KTP81798A43	O-Ring	1
44	KTP81798A44	Screw	1
45		Throttle Valve Bushing (Incl. w/ #32)	1
46		Rubber Seal (Incl. w/ #32)	1
47	KTP81798A47	Throttle Valve Plunger	1
48	KTP81798A48	Steel Ball (12.7mm)	1
49	KTP81798A49	Spring	1
50	KTP81798A50	O-Ring	1
51	KTP81798A51	Air Inlet Connector	1
52	KTP81798A52	Rubber Shield	1
53	KTP81798A53	Flat Washer (8)	8

Also available:
 KTP81798STK Tune-Up Kit (Incl. #3, 11, 12, 14, 19, 25 (5), 31, 43, 46, 50)
 Not Shown – KTP81798SPLK – Product Label Kit

Limited Warranty...

K-TOOL INTERNATIONAL WARRANTS TO ITS CUSTOMERS THAT THE COMPANY'S K-TOOL INTERNATIONAL BRANDED PRODUCTS ARE FREE FROM DEFECTS IN WORKMANSHIP AND MATERIALS.

K-Tool International will repair or replace its K-Tool International branded products which fail to give satisfactory service due to defective workmanship or materials, based upon the terms and conditions of the following described warranty plans attributed to that specific product. This product carries a ONE-YEAR warranty. During this warranty period, K-Tool International will repair or replace at our option any part or unit which proves to be defective in material or workmanship.

Other important warranty information...

This warranty does not cover damage to equipment or tools arising from alteration, abuse, misuse, damage and does not cover any repairs or replacement made by anyone other than K-Tool International or its authorized warranty service centers. The foregoing obligation is K-Tool International sole liability under this or any implied warranty and under no circumstances shall we be liable for any incidental or consequential damages.

Note: Some states do not allow the exclusion or limitation of incidental or consequential damages, so the above limitation or exclusion may not apply to you. Return equipment or parts to K-Tool International, or an authorized warranty service center, transportation prepaid. Be certain to include your name and address, evidence of the purchase date, and description of the suspected defect.

If you have any questions about warranty service, please write to K-Tool International. This warranty gives you specific legal rights and you may also have other rights which vary from state to state. Repair kits and replacement parts are available for many of K-Tool International products regardless of whether or not the product is still covered by a warranty plan.

SHIPPING ADDRESS: K-Tool International, 31111 Old Wixom Road, Wixom, MI 48393

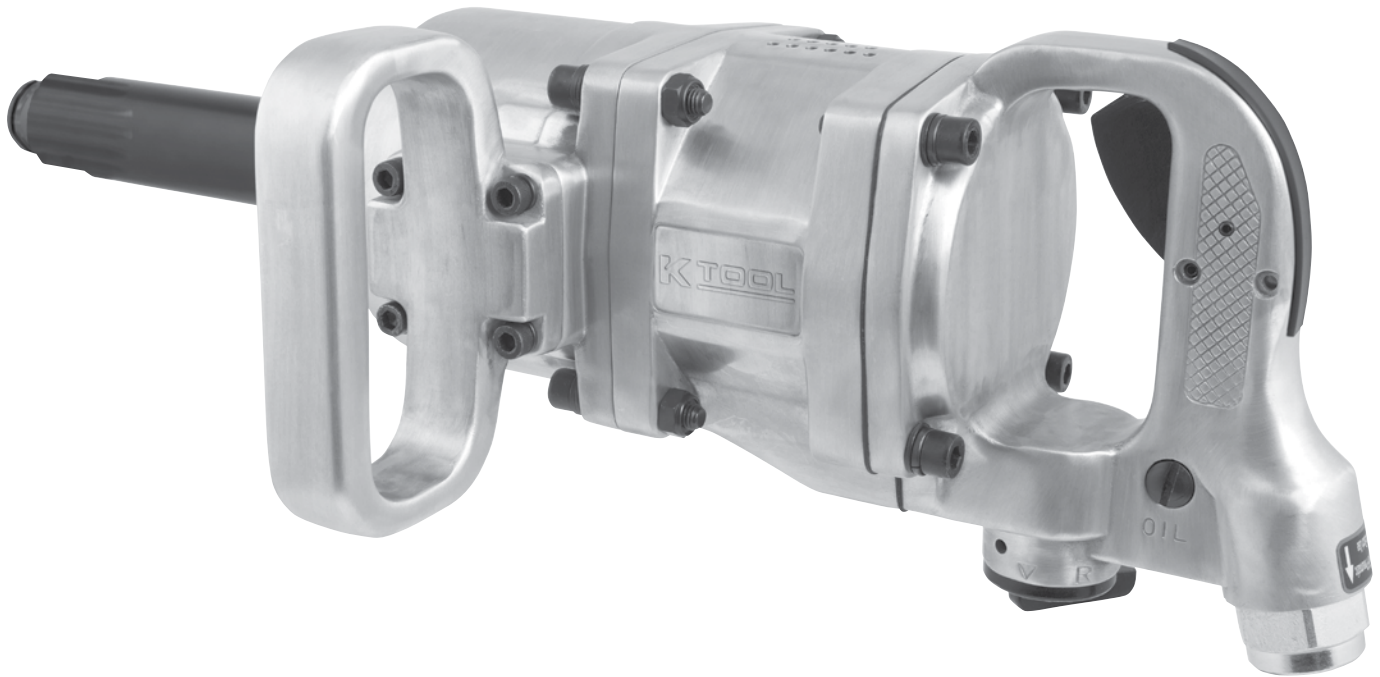
MAILING ADDRESS: K-Tool International, 31111 Old Wixom Road, Wixom, MI 48393



KTI-81798S

LLAVE DE IMPACTO DE IMPULSOR ESTRIADO #5 CON YUNQUE EXTENDIDO 6"

MANUAL DE OPERACIÓN



! ADVERTENCIA



- LEER SIEMPRE LAS INSTRUCCIONES ANTES DE USAR LAS HERRAMIENTAS NUEMÁTICAS
- SIEMPRE USE GOGLES DE SEGURIDAD Y PROTECCIÓN AUDITIVA APROBADOS
- EVITAR EXPOSICIÓN PROLONGADA A LAS VIBRACIONES

! ADVERTENCIA

Se sabe que el polvo generado por el lijado, la aserradura, el esmerilado, la perforación mecánica y por otras actividades de construcción contiene químicos que producen cáncer, malformaciones congénitas u otros daños relacionados con la reproducción. Algunos ejemplos de estos químicos son:

- plomo de pintura a base de plomo,
- sílice cristalina de ladrillos y cementos y otros productos de mampostería, y
- arsénico y cromo de maderas tratadas químicamente.

El riesgo ante estas exposiciones varía, dependiendo de cuan frecuente usted haga este tipo de trabajo. Para reducir la exposición a estos químicos: trabaje en espacios bien ventilados, y trabaje con equipos de seguridad aprobados, tales como las mascarillas contra el polvo diseñadas específicamente para detener partículas microscópicas.

ESPECIFICACIONES

Tamaño de impulsor	Estriado #5
Máxima torsión.....	1,600 Libras-pie (2,169 Nm)
Torsión de aplicación de trabajo	100-1,200 Libras-pie (136-1627 Nm)
Velocidad libre	4,000 RPM
Consumo de aire promedio.....	10 cfm (283 l/min)
Entrada de aire	1/2" NPT
Tamaño mín. de manguera.....	Diám. Int. 1/2" (12.7mm)
Longitud.....	22.5" (571.5mm)
Peso.....	26.2 Lbs. (11.9 kg)

⚠️ ADVERTENCIA

EL INCUMPLIMIENTO DE OBSERVAR ESTAS ADVERTENCIAS PUEDEN RESULTAR EN ALGUNA

ESTE MANUAL DE INSTRUCCIONES CONTIENE IMPORTANTES INFORMACIONES DE SEGURIDAD. LEA CUIDADOSAMENTE Y ASEGÚRESE DE COMPRENDER TODAS ESTAS INFORMACIONES, ANTES DE PROCEDER CON EL FUNCIONAMIENTO DE ESTA HERRAMIENTA.



- Lea y comprenda todas las instrucciones. Hacer caso omiso a todas las instrucciones alistadas a continuación podría ocasionar choque eléctrico, incendio, una explosión y/o lesiones personales serias. Lea y comprenda todas las instrucciones. Hacer caso omiso a seguir todas las instrucciones alistadas a continuación podría ocasionar el choque eléctrico, incendio, explosiones y/o lesiones personales serias. Es la responsabilidad del propietario asegurarse que todo el personal lea este manual previo al uso de este dispositivo. También es la responsabilidad del propietario del dispositivo mantener intacto este manual y en un lugar conveniente para que todos lo lean y vean. Si el manual o las etiquetas se hayan perdido o no sean legibles, comuníquese con K-Tool International por algunos repuestos. Si el operador no domina el idioma inglés, las instrucciones del producto y de seguridad le serán leídas y discutidas con el operador en el idioma materno del operador por parte del comprador propietario o su designado, asegurándose que el operador comprenda el contenido.

- Haga funcionar, verifique y mantenga esta herramienta de acuerdo con el código ANSI (Organización nacional americana de normalización) para herramientas portátiles con aire (ANSI B186.1) y cualesquiera otros códigos de seguridad y regulaciones aplicables.



- Para obtener la seguridad, resultados y durabilidad óptimos de las partes, haga funcionar esta herramienta con una presión máxima de 90 psig (6.2 bar), utilizando una manguera de aire con un diámetro de 1/2".



- Siempre use protección para los ojos y la cara resistentes al impacto al operar o llevar a cabo el mantenimiento de esta herramienta (usuarios y espectadores).

- Niveles de sonidos altos pueden provocar una pérdida permanente del oído. Utilice una protección para las orejas según las recomendaciones de su patrón las regulaciones OSHA (usuarios y espectadores).



- Mantenga lejos del alcance de los niños.

- Mantenga esta herramienta en condición eficaz de funcionamiento.

- Los operadores y el personal de mantenimiento deben físicamente poder manejar el volumen, el peso y la potencia de esta herramienta.



- Las herramientas neumáticas pueden vibrar durante su uso. Si uno está expuesto a las vibraciones, movimientos repetitivos o posturas incómodas por períodos extendidos de tiempo durante el uso, esto puede dañar a sus manos y brazos. Suspnda el uso de la herramienta si usted experimenta molestias, hormigueo o dolor. Pida alguna asistencia médica antes de continuar el uso de la herramienta.



- El aire comprimido puede ocasionar lesiones serias. Nunca dirija el aire hacia usted ni a otros. Siempre apague la alimentación de aire, vacíe toda la presión de aire de la manguera y desconecte la herramienta del suministro de aire antes de instalar, quitar o ajustar cualquier pieza o accesorio de esta herramienta, o antes de realizar cualquier mantenimiento de ella. Caso omiso en hacerlo podría ocasionar alguna lesión. Las mangueras de látigo pueden ocasionar heridas serias. Siempre revise las mangueras y herrajes por daños, deshilachas o solturas, y si es necesario, repóngalos inmediatamente. No opere ninguna herramienta dañada ni deteriorada. No use los acoplamientos de separación rápida con la herramienta. Vea las instrucciones para la instalación



correcta.

- Un deslizamiento, una zancadilla y/o una caída durante el funcionamiento de las herramientas con aire pueden ser causas importantes de lesiones graves o de la muerte. Asegúrese que no haya un excedente de manguera sobre la superficie donde esté caminando o trabajando.



- Mantenga una postura equilibrada y estable durante el trabajo. No vaya demasiado lejos durante el funcionamiento de la herramienta.

- Coloque la herramienta sobre el lugar de trabajo antes de hacer funcionar la herramienta.



- Preve a y esté atento a los cambios súbitos de movimientos durante el arranque y el funcionamiento de cualquier herramienta.

- No transporte la herramienta por la manguera. Proteja la manguera contra los objetos afilados y el calor.



- El eje de la herramienta puede continuar brevemente su rotación después del aflojamiento del gatillo. Evite el contacto directo con los accesorios durante y después del uso. El uso de guantes reducirá el riesgo de cortes y quemaduras.



- Manténgase alejado de la extremidad giratoria de la herramienta. No lleve joyas o ropa holgada. Fije el pelo largo. El escalpar puede ocurrir si el pelo no se mantiene lejos de la herramienta y accesorios. La asfixia puede ocurrir si los collares no se mantienen lejos de la herramienta y los accesorios.



- Utilice los accesorios recomendados por K-Tool International.

- Use sólo con los casquillos de llave de impacto y accesorios designados para dicha herramienta. No use los casquillos de mano ni accesorios, ya que estos pueden ser dañados u ocasionar daño al equipo o al operador.

- Llaves de impacto no son dispositivos de control dinámico. Las abrazaderas que tengan requisitos específicos de torsión deben estar verificadas con los dispositivos apropiados de control dinámico, después de la instalación con una llave de impacto.

- Esta herramienta no está aislada contra el choque eléctrico.

- Note el sentido de la rotación ANTES de operar esta herramienta.

- No lubrique las herramientas con líquidos inflamables o volátiles como queroseno, gasoil o combustible para aviones.

- Esta herramienta no debe emplearse en ambientes explosivos.

- Las reparaciones y mantenimiento deben realizarse sólo por parte de un centro de servicio autorizado.

- No use (ni altere) la herramienta para ningún uso excepto el para el cual fue diseñada, sin consultar al representante autorizado del fabricante.

- No fuerce la herramienta más allá de su índice de capacidad.

- No quite las etiquetas. Reemplace las etiquetas gastadas.

- Este producto puede contener sustancias químicas consideradas por el Estado de California como causantes de cáncer, de malformaciones congénitas u otros daños en el sistema reproductivo. Lávese bien las manos después de manipular el producto.

- No cumplir con estas indicaciones puede provocar lesiones graves o peligro de muerte, así como daños materiales.

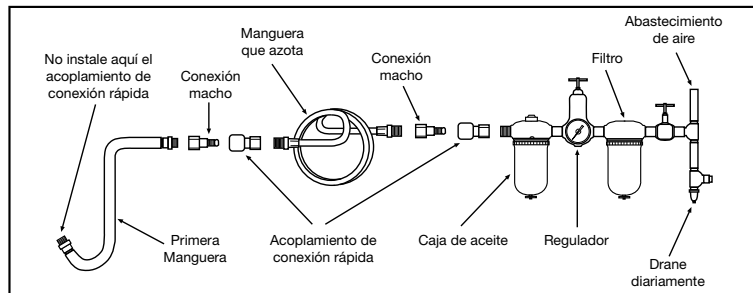
AIR SUPPLY

Las herramientas de esta categoría operan bajo una amplia gama de presiones de aire. Nosotros recomendamos que la presión de aire mida 90 psig en el punto de ventila de admisión de aire, mientras la herramienta esté en uso. La presión baja (menos de las 90 psig/6.2 bar) reduce la velocidad y potencia de las herramientas neumáticas. La presión alta (arriba de las 115 psig/8.0 bar) excede la capacidad nominal de la herramienta, y se disminuirá la vida útil del producto a través del desgaste mayor y esto también podría ocasionar lesiones.

Siempre use aire limpio y seco. El polvo, los vapores corrosivos y/o el agua en la tubería de aire dañarán la herramienta. Vacíe el tanque de aire diariamente. Limpie la rejilla del filtro de la admisión de aire al menos una vez por semana de manera constante.

La admisión de aire que se ocupa para la conexión del suministro de aire cuenta con una rosca americana estándar de 1/2" NPT. Se debe aumentar la presión en la línea para compensar por las mangueras de aire inusualmente largas (mayores de 25 pies). El diámetro mínimo de la manguera debe de ser de 1/2" de diámetro interior. Los herrajes deben contar con las mismas dimensiones y deben estar fijamente sujetos.

Asegúrese que se haya instalado una válvula de apagado de emergencia accesible en la línea de suministro de aire y concientice a otros en cuanto a la ubicación del mismo.



LUBRICACIÓN

Lubrique diariamente el motor de aire con lubricante para herramientas neumáticas de calidad. Si ni se usa ningún lubricante para la línea de aire, deje caer 1/2 onza del lubricante por la longitud de la herramienta, lanzándolo a chorro en la admisión de aire de la herramienta o en la conexión más cercana al abastecimiento de aire, reconecte el abastecimiento de aire y luego ponga en marcha la herramienta o en la manguera de entrada de aire. No use más de una 1/2 onza de aceite, ya que la aplicación excesiva ocasionará la disminución de potencia de la herramienta.

LOCALIZACIÓN Y CORRECCIÓN DE FALLAS

Puede haber otros factores ajenos a la herramienta que sean causa de pérdida de corriente o acción errática. La potencia reducida de salida del compresor, el drenaje excesivo en la tubería de aire, humedad o restricciones en las cañerías de aire o el uso de conexiones de manguera de tamaño inadecuado o en malas condiciones puede reducir el suministro de aire. Depósitos de arenilla o goma en la herramienta pueden cortar la potencia y pueden corregirse limpiando el aspirador de aire y limpiando a chorro la herramienta con aceite que disuelva la goma o una mezcla de partes iguales de SAE #10 y querosén. Si no hay ningún problema con las condiciones externas, desconecte la herramienta de la manguera y llévela al centro autorizado de servicio más próximo.

OPERACIÓN

Esta herramienta es una herramienta de impacto y no un torquímetro. La sujeción que requiere de una torsión en específico debe revisarse con un torquímetro después de ajustar el sujetador con la herramienta de impacto.

Si la tuerca no se mueve dentro de cinco segundos, use una llave de impacto más grande. No use su llave de impacto más allá de capacidad nominal, ya que se puede disminuir de forma significativa la vida útil del producto.

Apague siempre el suministro de aire, vacíe la manguera de su presión de aire y desconecte la herramienta del suministro de aire antes de instalar, extraer o ajustar cualquier accesorio complementario en esta herramienta o antes de realizar cualquier servicio a la herramienta.

NOTA: La torsión real sobre una abrazadera está directamente relacionada conjuntamente con la dureza, la velocidad de la herramienta, la condición del casquillo y el tiempo que se dedica a la herramienta para el impacto.

Utilice el acoplamiento más simple que sea posible. Cada una de las conexiones absorbe energía y reduce la potencia.

GARANTÍA LIMITADA..

PRODUCTOS CON LA MARCA DE LA EMPRESA K-TOOL INTERNATIONAL NO CONTIENEN DEFECTOS EN SU MANO DE OBRA NI MATERIAS PRIMAS.

K-Tool International, reparará o sustituirá sus productos con la marca K-Tool International que reflejen fallas en el funcionamiento satisfactorio debido a que la mano de obra o las materias primas estén defectuosas, tomando como base las cláusulas y condiciones de los planes de garantía descritos a continuación y asignados a ese producto específico. Este producto tiene una garantía de UN AÑO. Durante ese periodo de garantía, K-Tool International reparará o sustituirá, como así opte por hacerlo, cualquier componente o unidad que se compruebe tener defectos en su materia prima o mano de obra.

Otra importante información de la garantía...

Esta garantía no cubre ningún daño al equipo o herramientas, si este surge como resultado de su alteración, abuso, o mal uso o daños ni tampoco cubre las reparaciones o reposiciones hechas por cualquier persona ajena a los centros de servicio de garantía autorizados y que no sean de K-Tool International. La obligación antes mencionada queda bajo la responsabilidad exclusiva de K-Tool International según se menciona o de cualquier garantía implícita y bajo ninguna circunstancia quedará bajo su responsabilidad cualquier garantía implícita ya bajo ninguna circunstancia quedará bajo su responsabilidad cualquier daño incidental o consecuencial.

Nota: Algunos estados no permiten la exclusión o limitación de los daños incidentales o consecuenciales, por lo tanto la limitación o exclusión arriba mencionada quizá no pudiera serle pertinente a usted. Devuelva el equipo o componentes a K-Tool International, un centro de servicio de garantía autorizado, con el flete pagado. Asegúrese haber incluido su nombre y dirección, la evidencia de la fecha de adquisición y la descripción del defecto que se sospeche tener. Si tiene alguna duda relacionada con el servicio de garantía, por favor escríbale a K-Tool International. Esta garantía le concede derechos jurídicos específicos y quizá otros derechos que varían de un estado a otro, K-Tool International tiene a su disposición los juegos de reparación y refacciones de repuesto para muchos de sus productos, sin importar si el producto continúe o no bajo el plan de la garantía.

DIRECCIÓN A EMBARCARSE: K-Tool International, 31111 Old Wixom Road, Wixom, MI 48393

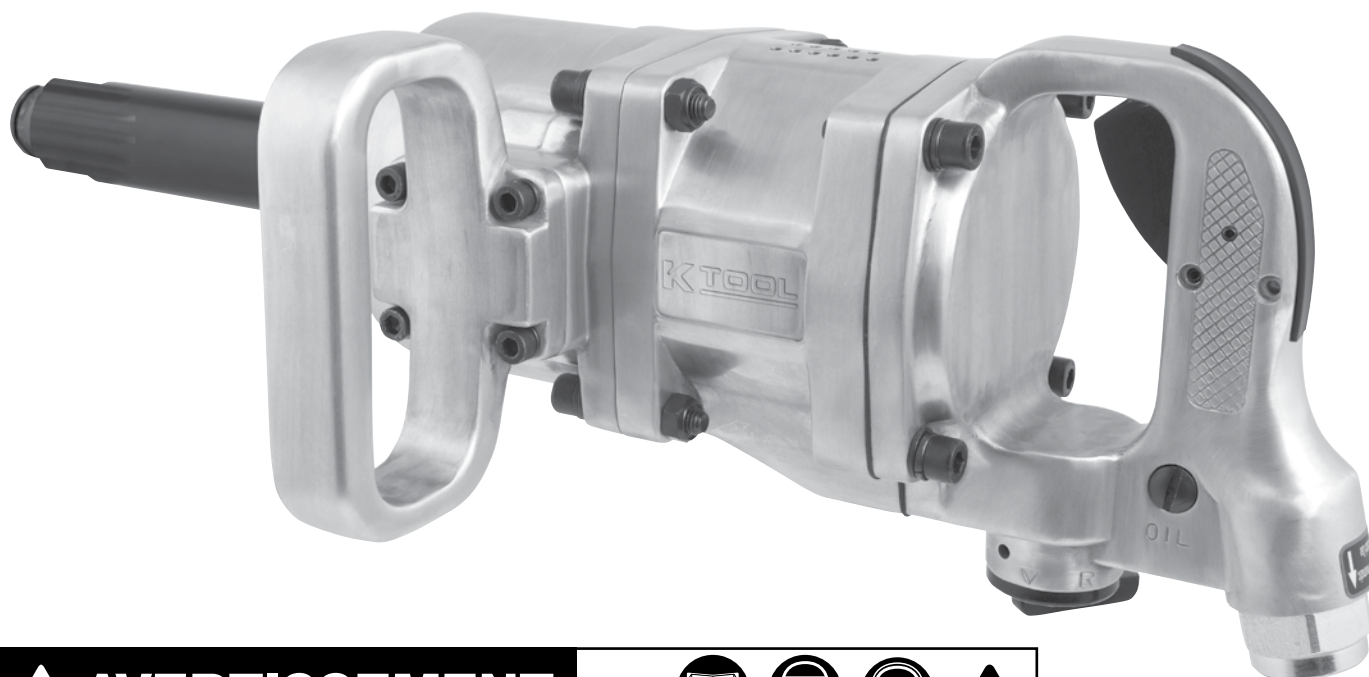
DIRECCIÓN DE CORREOS: K-Tool International, 31111 Old Wixom Road, Wixom, MI 48393



KTI-81798S

CLÉ À PERCUSSION À PRISE CANNELÉE #5 AVEC ANCLUME RALLONGÉE 6 PO

MANUEL D'OPERATION



⚠ AVERTISSEMENT






- LISEZ TOUJOURS LES INSTRUCTIONS AVANT D'UTILISER LES OUTILS MOTORISÉS
- PORTER TOUJOURS DES LUNETTES DE SÉCURITÉ ET UNE PROTECTION ACOUSTIQUE APROVEES
- ÉVITEZ L'EXPOSITION PROLONGÉE AUX VIBRATIONS

⚠ AVERTISSEMENT

Les travaux de construction effectués à l'aide d'un outil électrique, comme le sablage, le sciage, le meulage et le perçage, produisent de la poussière qui contient des produits chimiques. De tels produits sont reconnus comme cancérigènes. Ils peuvent aussi causer des anomalies congénitales ou nuire d'une autre manière à la reproduction. Voici quelques exemples de ces produits chimiques :

- le plomb contenu dans les peintures à base de plomb;
- la silice cristallisée contenue dans les briques, le ciment et d'autres produits de maçonnerie;
- l'arsenic et le chrome contenus dans le bois de sciage traité avec des produits chimiques.

Les risques d'exposition à ces produits chimiques varient selon la fréquence d'utilisation de certains matériaux. Pour réduire l'exposition, il est recommandé de travailler dans un endroit bien aéré et de porter de l'équipement de protection approuvé tel qu'un masque antipoussière spécialement conçu pour filtrer les particules microscopiques.

SPÉCIFICATIONS

À prise	Cannelée #5
Couple max.....	1 600 Pi-Lbs. (2 169 Nm)
Couple en fonctionnement	100-1 200 Pi-Lbs. (136-1 627 Nm)
Vitesse en régime libre	4 000 tr/min
Consommation d'air moyenne.....	10 pi³/min (283 l/min)
Entrée d'air	NPT 1/2 po
Dimension minimale du tuyau	D.I. de 1/2 po (12,7mm)
Longueur (SX556-6).....	22,5 po (571,5mm)
Poids (SX556-6).....	26,2 Lbs. (11,9 kg)

⚠ AVERTISSEMENT

LE NON-RESPECT DE CES AVERTISSEMENTS POURRAIT ENTRAÎNER DES BLESSURES.

CE GUIDE D'UTILISATION RENFERME D'IMPORTANTES CONSIGNES DE SÉCURITÉ. LISEZ CE GUIDE D'UTILISATION ATTENTIVEMENT ET ASSUREZ-VOUS D'AVOIR BIEN COMPRIS TOUTES LES DIRECTIVES AVANT D'UTILISER CET OUTIL.



Lisez et comprenez bien toutes les instructions. Le manque d'observer toutes les instructions énumérées ci-dessous, peut entraîner une décharge électrique, un feu et/ou causer de sérieuses blessures corporelles. Veuillez lire et bien comprendre toutes les instructions. Tout manquement aux instructions indiquées ci-après pourrait entraîner un choc électrique, un incendie, une explosion et/ou des blessures personnelles graves. Il est de la responsabilité du propriétaire de s'assurer que tout le personnel lise ce manuel avant d'utiliser l'appareil. Il revient aussi au propriétaire de l'appareil de conserver ce manuel en bon état et dans un endroit accessible permettant au manuel d'être vu et lu par tous. Si le manuel ou les étiquettes du produit sont perdus ou illisibles, contactez K-Tool International pour les faire remplacer. Si l'utilisateur-opérateur de l'appareil ne maîtrise pas bien l'anglais, les instructions relatives au produit et aux mesures de sécurité devront être lues et discutées avec l'opérateur dans sa langue maternelle par l'acheteur-propriétaire ou toute personne habilitée par lui à le faire, en s'assurant que l'opérateur en comprend bien le contenu.



• Veuillez toujours utiliser, inspecter et entretenir cet outil conformément au code de sécurité ANSI sur les outils pneumatiques portatifs (ANSI B186.1) et à tout autre loi ou règlement relatif à la sécurité.

• Pour assurer un fonctionnement sécuritaire, un rendement optimal et la durabilité des pièces, utilisez une pression d'air maximale de 90 lb-po², 6,2 bar et un boyau d'un diamètre de 1/2 po.

• Portez toujours de l'équipement de protection des yeux et du visage résistant aux chocs quand vous utilisez cet outil ou en faites l'entretien (utilisateur et personnes à proximité).

• Les niveaux sonores élevés peuvent provoquer une perte auditive permanente. Portez toujours l'équipement de protection auditive recommandé par votre employeur et les règlements de l'OSHA quand vous utilisez cet outil (utilisateur et personnes à proximité).

• Garder l'outil hors de la portée des enfants.

• Conservez cet outil en bon état de marche.

• Les personnes qui utilisent ou entretiennent cet outil être capables de le manipuler compte tenu de sa grosseur, de son poids et de sa puissance.

• Les outils pneumatiques peuvent vibrer pendant l'utilisation. Une exposition prolongée aux vibrations, les mouvements répétitifs, ou une posture inconfortable lors de l'utilisation peuvent être nuisibles pour vos mains et vos bras. Arrêtez d'utiliser l'outil en cas d'inconfort ou si vous ressentez des picotements ou de la douleur. Consultez un médecin avant de recommencer à utiliser l'outil.

• L'air comprimé peut causer de graves blessures. Évitez de diriger le jet d'air vers vous ou vers d'autres personnes. Avant d'installer, de retirer ou d'ajuster une pièce ou un accessoire, ou de faire l'entretien de l'outil, assurez-vous de toujours fermer la source d'alimentation en air, de purger l'air du boyau et de débrancher l'outil de sa source d'alimentation. Une négligence sur ce plan pourrait causer des blessures. Les tuyaux souples peuvent causer de graves blessures. Vérifiez toujours le boyaux et les raccords et remplacez-les s'ils sont endommagés, fissurés ou lâches. Évitez d'utiliser un outil endommagé ou usé.



Évitez d'utiliser des raccords rapides avec cet outil. Pour installer correctement l'outil, consulter les directives.

• Une glissade, un trébuchage et/ou une chute lors de l'utilisation d'outils pneumatiques peut causer de sérieuses blessures ou la mort. Prenez garde aux boyaux qui traînent par terre dans l'aire de travail.

• Votre posture doit être stable. Évitez de travailler à bout de bras.

• L'arbre de l'outil peut continuer de tourner brièvement une fois la gâchette relâchée. Évitez tout contact direct avec les accessoires pendant ou après l'utilisation. Le port de gants réduit les risques de coupures ou de brûlures.

• Positionnez bien l'outil avant de le mettre en marche. Ne pointez jamais l'outil sur quelqu'un. Évitez toute chamaillerie quand vous avez l'outil en main.

• Calculez vos mouvements et prenez garde aux changements brusques de position quand vous utilisez un outil électrique.

• Ne tenez pas l'outil par le boyau d'alimentation. Protégez le boyau des objets tranchants et de la chaleur.

• La tige de l'outil peut continuer à tourner brièvement après le relâchement de la détente. Évitez tout contact direct avec les accessoires pendant ou après l'utilisation. Le port de gants réduit les risques de coupures ou de brûlures.

• Prenez garde à la pointe de l'outil quand elle tourne. Ne portez pas de bijoux ni de vêtements amples. Les cheveux longs doivent demeurer hors de portée de l'outil et de ses accessoires pour éviter tout scalp accidentel. Tenez les cravates et les colliers hors de portée de l'outil, car ils présentent un risque de suffocation.

• Utilisez les accessoires recommandés par K-Tool International.

• **Utilisez seulement des douilles et des accessoires de clés à chocs avec cet outil. Évitez d'utiliser des douilles et des accessoires de clés à main, car cela pourrait les abîmer, endommager l'équipement ou vous causer des blessures.**

• Calculez vos mouvements et prenez garde aux changements brusques de position quand vous utilisez un outil électrique.

• Les clés à chocs ne sont pas des régulateurs de couple de serrage. Lorsque vous utilisez une clé à chocs pour boulonner un élément requérant un couple précis, vérifiez ce dernier à l'aide d'un dispositif de mesure de couple.

• Cet outil n'est pas à utiliser avec des liquides inflammables ou volatils comme le kérosène, le diesel ou le carburant d'avion.

• Ne pas utiliser cet outil dans une atmosphère explosive.

• L'entretien et les réparations ne devraient être effectués que dans un centre de service autorisé.

• Ne pas utiliser (ni modifier) l'outil pour une utilisation autre que celle pour laquelle il a été conçu sans consulter le représentant autorisé du fabricant.

• Évitez de forcer l'outil en l'utilisant au-delà de sa puissance nominale.

• N'enlevez aucune étiquette. Remplacez toute étiquette abîmée.

• Ce produit peut contenir des produits chimiques reconnus par l'État de la Californie comme causant le cancer, des anomalies congénitales ou d'autres effets nuisibles sur la reproduction. *Se laver minutieusement les mains après avoir utilisé le produit.*

• Le manquement d'observer ces inscriptions peut avoir comme conséquence des blessures sérieuses ou mortelles et/ou des dégâts matériels.

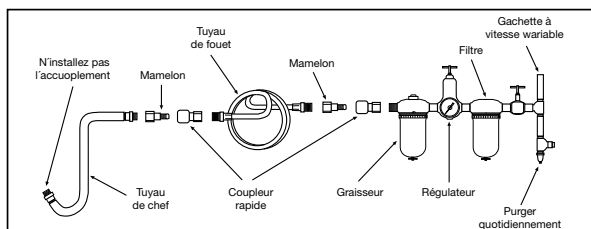
ENTRÉE D'AIR

Les outils de cette catégorie fonctionnent avec un large éventail de pressions d'air. Nous recommandons une pression d'air à l'entrée de 90 lb/po². Une faible pression (moins de 90 lb/po² ou de 6,2 bar) réduit la vitesse et le rendement de tous les outils pneumatiques. Une pression élevée (plus de 115 lb/po² ou 8,0 bar) excédant la puissance nominale de l'outil raccourcit sa durée de vie et peut causer des blessures.

Utilisez toujours de l'air comprimé propre et sec. La présence de poussière, de vapeurs corrosives et/ou d'eau dans la conduite d'air peut endommager l'outil. Videz le réservoir d'air comprimé tous les jours. Nettoyez le filtre de l'entrée d'air au moins une fois par semaine.

La source d'alimentation en air est raccordée à une entrée d'air ayant un filetage normalisé NPT de 1/2 po. Il faut augmenter la pression dans la conduite d'air dans le cas de boyaux à air exceptionnellement longs (plus de 25 pieds). Le diamètre intérieur minimal du boyau doit être de 1/2 po. Les raccords doivent avoir le même diamètre intérieur et être serrés solidement.

Un robinet d'arrêt accessible en situation d'urgence doit être installé sur la conduite d'alimentation en air et son emplacement doit être connu de tous ceux qui travaillent à proximité.



LUBRIFICATION

Lubrifiez quotidiennement le moteur de l'outil avec de l'huile pour outil pneumatique de qualité. Si aucune lubrification de la ligne d'air n'est utilisée, injecter 1/2 onces d'huile à travers l'outil. L'huile peut être injectée dans l'entrée d'air de l'outil ou dans le tuyau au raccordement le plus près, puis faites fonctionner l'outil. N'utilisez pas plus de 1/2 onces d'huile car un remplissage excessif causera une réduction de la puissance de l'outil.

DÉPANNAGE

Des facteurs extérieurs à l'outil peuvent causer des baisses de puissance ou d'autres problèmes. Un débit réduit du compresseur, un drainage excessif du conduit d'air de l'humidité ou des limitations dans le boyau d'air ou l'utilisation de raccords de dimensions inadéquates ou en mauvaise condition peuvent réduire l'alimentation d'air. Des résidus d'abrasif ou des dépôts accumulés dans l'outil peuvent diminuer la puissance, ceci peut être corrigé en nettoyant le filtre à air et en nettoyant l'outil avec du solvant à l'huile pour dépôts, ou avec un mélange en parts égales d'huile SAE #10 et du kérosène. Si toutes les conditions extérieures sont excellentes, débrancher l'outil du boyau et apportez-le à l'atelier de service agréé le plus près.

MODE D'EMPLOI

Cet outil est un outil de choc et non un torsiomètre. La fixation exigeant un couple spécifique doit être vérifiée à l'aide d'un torsiomètre après le placement de la fixation sur le Choc.

Si un écrou ne bouge pas dans un intervalle de 5 secondes, utiliser un Choc plus large. Ne pas utiliser une Clé à chocs en dehors du débit nominal supérieur, parce que ceci peut réduire considérablement la durée de vie de l'outil.

Toujours couper l'arrivée d'air comprimé et débrancher l'outil avant d'enlever ou de mettre en place une pièce ou un accessoire quelconque, ou avant d'effectuer une tâche d'entretien quelconque.

REMARQUE : Le couple requis pour une pièce de fixation est directement lié à la rigidité du joint, à la vitesse de rotation de l'outil, à l'état de la douille et à la cadence d'impact de l'outil.

Entre l'outil et la douille, utilisez l'adaptateur le plus simple possible. En effet, chaque raccordement absorbe sa part d'énergie et réduit la puissance de l'outil.

Garantie limitée...

K-TOOL INTERNATIONAL GARANTIT À SES CLIENTS QUE LES OUTILS DE MARQUE SUNEX TOOLS SONT EXEMPTS DE DÉFAUTS DE MAIN D'ŒUVRE ET DE MATÉRIAU

K-Tool International réparera ou remplacera ses outils de marque K-Tool International qui ne donnent pas un service satisfaisant à cause d'un défaut de main d'œuvre ou de matériau, selon les termes et conditions décrits ci-dessous dans les plans de garantie correspondant à ce produit spécifique. Ce produit a une garantie de UN AN. Pendant la période de garantie, K-Tool International réparera ou remplacera, à sa seule discrétion, toute pièce ou tout appareil dont il a été déterminé qu'il comporte un défaut de matériau ou de main d'œuvre.

Autres informations importantes sur la garantie...

Cette garantie ne couvre pas les dommages à de l'équipement ou à des outils modifiés, sujets à des abus ou à une utilisation incorrecte, ou encore endommagés; elle ne couvre pas les réparations ou le remplacement effectué par quiconque autre que K-Tool International ou ses centres de services de garantie autorisés. L'obligation qui précède constitue la seule responsabilité de K-Tool International en vertu de cette garantie ou de toute garantie implicite; et en aucun cas K-Tool International ne pourra être responsable pour des dommages indirects ou consécutifs. Remarque : Certaines juridictions ne permettent pas l'exclusion ou la limitation des dommages indirects ou consécutifs; la limitation ou l'exclusion ci-dessus pourrait donc ne pas s'appliquer à votre cas. Retourner l'équipement ou les pièces à K-Tool International, ou à un centre de service de garantie autorisé, port prépayé. S'assurer d'inclure votre nom, votre adresse, une preuve de la date d'achat et la description de la défaillance présumée. Veuillez adresser par écrit toutes vos questions sur le service de garantie à K-Tool International. Cette garantie donne à l'acheteur des droits juridiques spécifiques ainsi que certains autres droits qui peuvent varier selon la juridiction. Après échéance de la garantie de remplacement direct d'un an, certaines pièces de service seront disponibles à l'achat par l'entremise des options de services normaux de K-Tool International.

ADRESSE D'EXPÉDITION: K-Tool International, 31111 Old Wixom Road, Wixom, MI 48393

ADRESSE POSTALE: K-Tool International, 31111 Old Wixom Road, Wixom, MI 48393